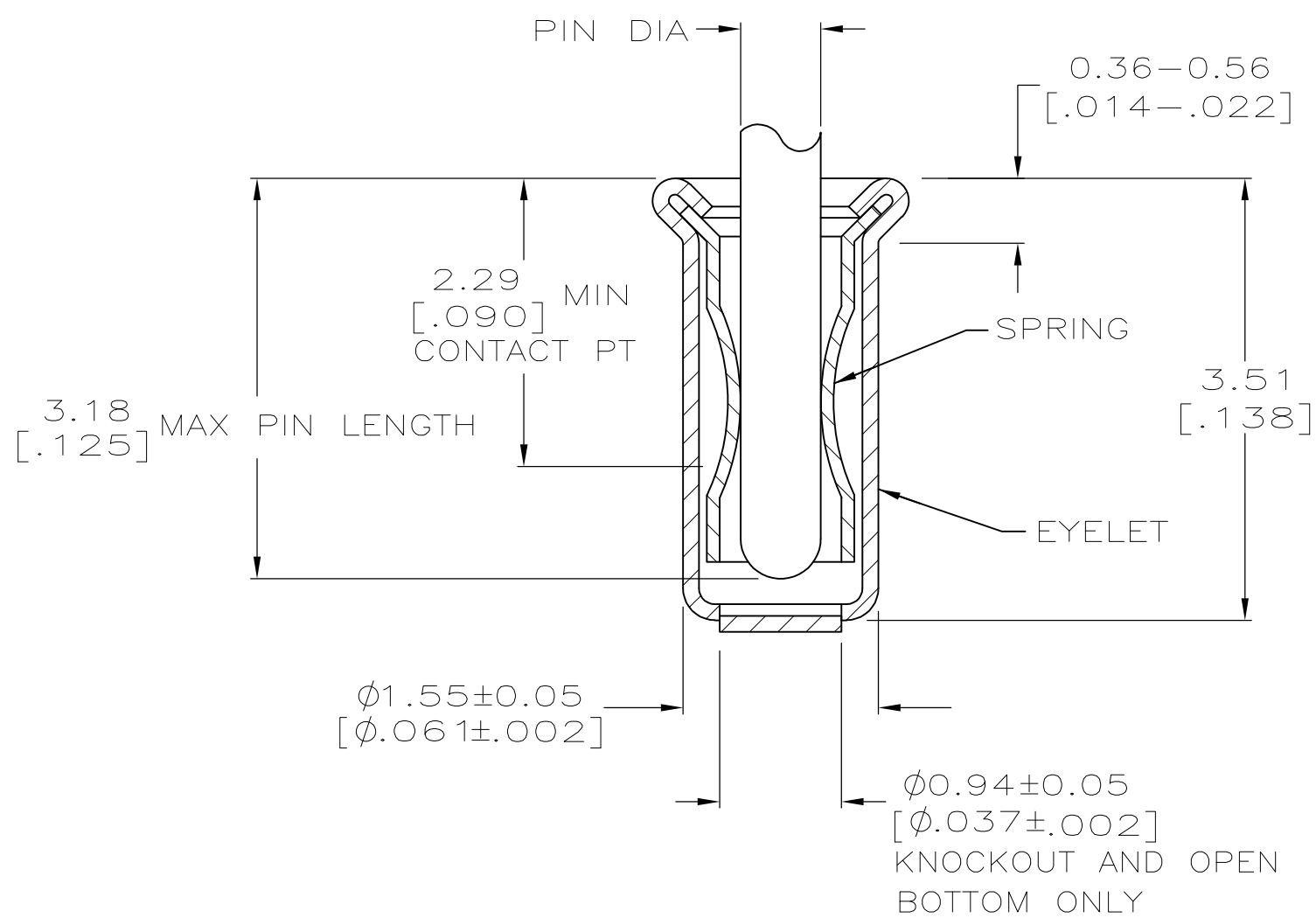
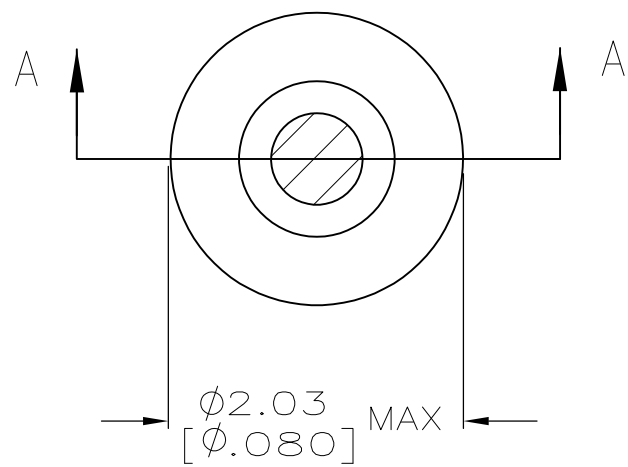


THIS DRAWING IS UNPUBLISHED. RELEASED FOR PUBLICATION
 © COPYRIGHT - By - ALL RIGHTS RESERVED.

LOC		DIST		REVISIONS			
P	LTR	DESCRIPTION		DATE	DWN	APVD	
GP	00	P		REVISED PER ECO-11-004835	07MAR11	RK HMR	



SECTION A-A

- 1. TIN PLATE PER ASTM B 545 0.00254 [.000100] MIN THICK.
- 2. GOLD PLATE PER ASTM B 488 0.00076 [.000030] MIN THICK OVER NICKEL PLATE PER QQ-N-290 0.00028 [.000011] MIN THICK ON CONTACT AREA.
- 3. RECOMMENDED HOLE SIZE, PLATED OR UNPLATED:
 MACHINE INSERTION: $1.57^{+0.10}_{-0.08}$ [$.062^{+0.004}_{-0.003}$]
 HAND INSERTION: $1.60^{+0.10}_{-0.00}$ [$.063^{+0.004}_{-0.000}$]
- 4. APPLICATION TOOL PART NUMBER: MACHINE NO. 682127-4
 INSERTION HEAD NO. 682039-3
- 5. TO INSURE PROPER SPRING TENSION DO NOT EXCEED A 0.05 [.002] DIFFERENCE IN PIN DIA WHEN CHANGING TO A SMALLER PIN.
- 6. BOTTOM PLUG KNOCKOUT TOOL PART NUMBER 69729 WITH TIP PART NUMBER 69728-1.
- 7. MATERIAL: BERYLLIUM COPPER PER ASTM B 194
 EYELET: COPPER PER ASTM B 152
- 8. OBSOLETE PARTS: OBSOLETE CIS STREAMLINING PER D.RENAUD/D.SINISI

8	OBSOLETE	PIN DIA		FINISH	PART NO	
		OPEN	CLOSED			
		OPEN	0.76-0.84 [.030-.033]	TIN 1	GOLD 2	7-5331677-4
		CLOSED	0.66-0.74 [.026-.029]			3-5331677-8
		KNOCKOUT	0.76-0.84 [.030-.033]	TIN 1	GOLD 2	3-5331677-4
		OPEN	0.66-0.74 [.026-.029]			2-5331677-4
		CLOSED	0.76-0.84 [.030-.033]	TIN 1	GOLD 2	2-5331677-2
		OPEN	0.56-0.64 [.022-.025]			1-5331677-8
		CLOSED	0.76-0.84 [.030-.033]	TIN 1	GOLD 2	1-5331677-6
		OPEN	0.76-0.84 [.030-.033]			1-5331677-3
BOTTOM TYPE		RECOMMENDED PIN DIA		EYELET	SPRING	

THIS DRAWING IS A CONTROLLED DOCUMENT.

DIMENSIONS: mm [INCHES]	TOLERANCES UNLESS OTHERWISE SPECIFIED:	DWN: A. FERNANDEZ-DOCK5	22APR2005	CHK: J. HAVENER	22APR2005	APVD: J. HAVENER	22APR2005	NAME: MINIATURE SPRING SOCKET ASSEMBLY
0 PLC ± -	1 PLC ± -	PRODUCT SPEC: 108-14008		APPLICATION SPEC: 114-13152		SIZE: A2		
2 PLC ± -	3 PLC ± 0.20 [.008]	WEIGHT: -		SCALE: 20:1		SHEET: 1 OF 1		
4 PLC ± -	ANGLES ± -	FINISH: SEE TABLE		CUSTOMER DRAWING		REV: P		

TE Connectivity

Mouser Electronics

Authorized Distributor

Click to View Pricing, Inventory, Delivery & Lifecycle Information:

[TE Connectivity:](#)

[1-5331677-6](#)