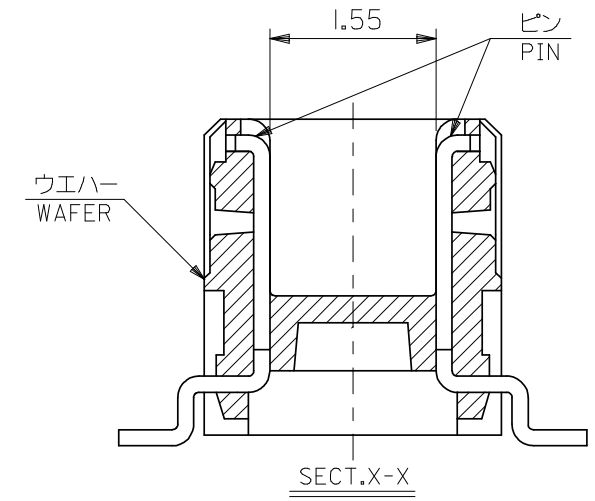


参考基板レイアウト (マウント面)  
 RECOMMENDED P.C.BOARD  
 PATTERN DIMENSION. (REF.)  
 (MOUNTING AREA)



20.64	19.6	21.55	501017-1007	100
16.63	15.6	17.55	501017-0807	80
12.64	11.6	13.55	501017-0607	60
10.64	9.6	11.55	501017-0507	50
5.42	4.4	6.35	501017-0247	24
C	B	A	MATERIAL NO.	CIRCUIT

MODEL NO. 501017-\*\*\*\*7

MATERIAL  
 材料  
 注記参照  
 SEE NOTES

REVISED  
 EC NO: J2008-2284  
 DRWN: YMAEDA 2007/12/04  
 CHKD: NUKITA 2007/12/06  
 APPR: NUKITA 2007/12/06

DESCRIPTION

GENERAL TOLERANCES (UNLESS SPECIFIED)

10 UNDER	±0.2
10 OVER 30 UNDER	±0.25
30 OVER	±0.3
ANGULAR	±--- °

DRAFT WHERE APPLICABLE  
 MUST REMAIN  
 WITHIN DIMENSIONS

DIMENSION STYLE  
 MM ONLY

SCALE  
 ---

DESIGN UNITS  
 METRIC

THIRD ANGLE  
 PROJECTION

TITLE  
 0.4MM B-TO-B CONN  
 NO BOSS PLUG ASSY  
 (HGT=4MM)

APPROVED BY  
 M. SASAO 2004/06/05

MATERIAL NO.  
 SEE TABLE

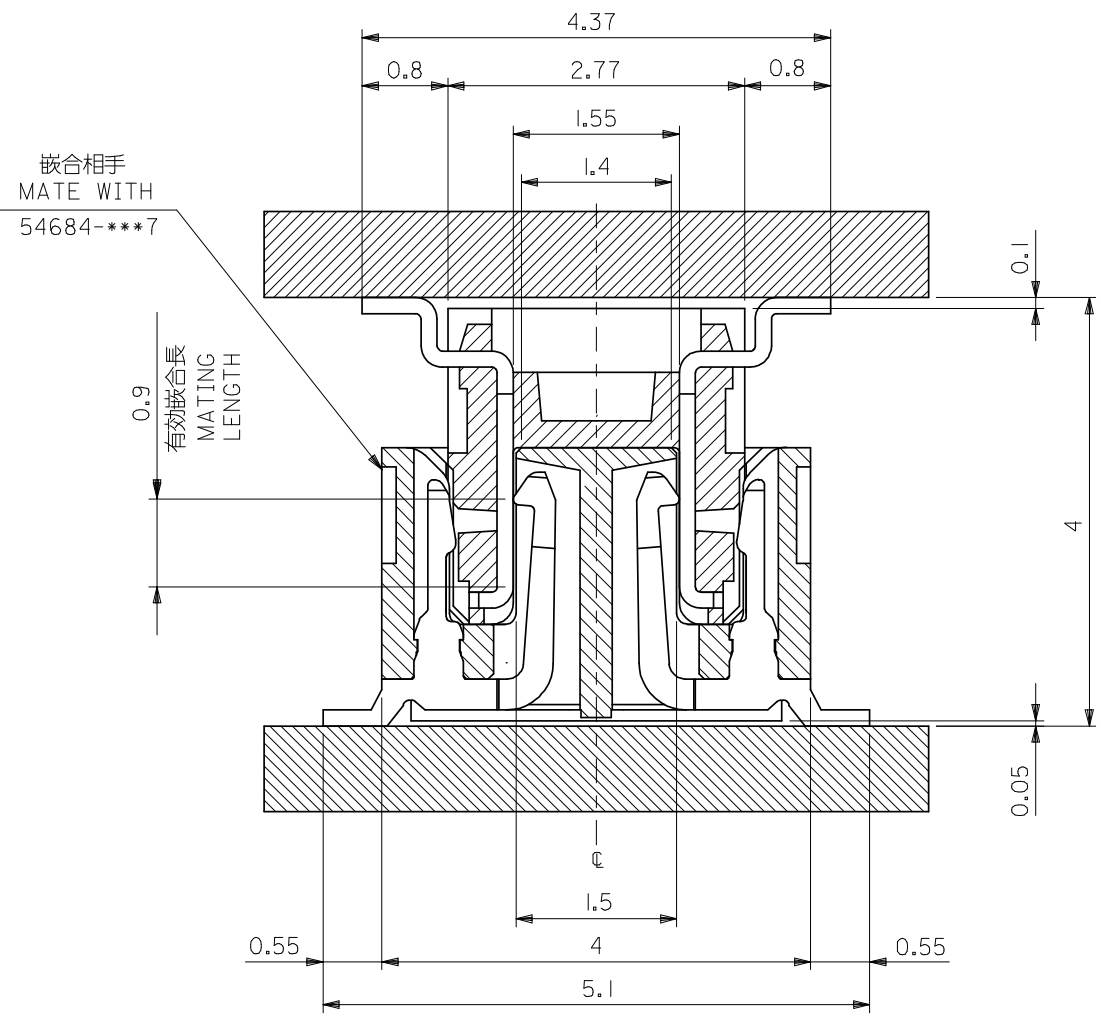
SIZE  
 A3

MOLEX INCORPORATED

DOCUMENT NO.  
 SD-501017-001

SHEET NO.  
 1 OF 2

THIS DRAWING CONTAINS INFORMATION THAT IS PROPRIETARY TO MOLEX INCORPORATED AND SHOULD NOT BE USED WITHOUT WRITTEN PERMISSION



嵌合相手  
MATE WITH  
54684-\*\*\*7

有効嵌合長  
MATING  
LENGTH

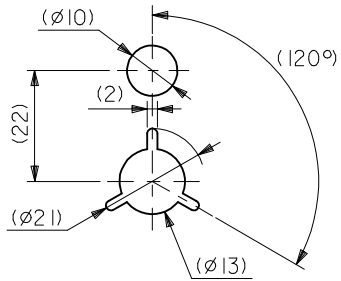
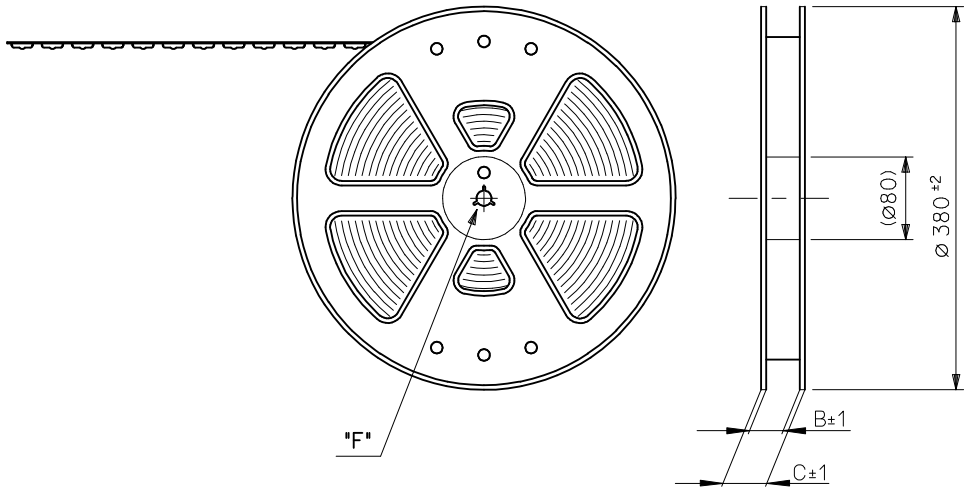
嵌合断面図 (参考)  
MATED DRAWING (REF.)

注記 NOTES:

1. 使用材料 MATERIAL  
 ウエハー:液晶ポリマー ガラス充填 UL94V-0 茶色  
 WAFER:LIQUID CRYSTAL POLYMER  
 GLASS FILLED UL94V-0  
 COLOR BROWN  
 ピン:リン青銅 (t=0.15)  
 PIN:PHOSPHOR BRONZE(t=0.15)
2. メッキ仕様 PLATING  
 金メッキ 0.25 マイクロメートル以上 (コンタクト部)  
 GOLD 0.25MICROMETER MINIMUM(CONTACT AREA)  
 金メッキ 0.4 マイクロメートル以下 (テール部)  
 GOLD 0.4MICROMETER MAXIMUM(TAIL AREA)  
 下地メッキ:ニッケルメッキ 1.5 マイクロメートル以上  
 UNDER PLATING : NICKEL 1.5MICROMETER MINIMUM
3. (全極数/2) = 偶数の場合に適用。  
 APPLY FOR (CIRCUIT/2)=EVEN.
4. 嵌合相手:54684 シリーズ  
 MATE WITH : 54684 SERIES.
5. テール平坦度は、0.10 MAX.  
 TAIL COPLANARITY TO BE 0.10 MAX.  
 又、テール半田付け面の位置はウエハーの底面  に対し  
 上方向に0、下方向に0.15MAX.とする。  
 MISALIGNMENT OF SOLDER TAILS FROM   
 : UPPER DIRECTION 0  
 : LOWER DIRECTION 0.15 MAX.

MATERIAL 材料	SHEET 1 OF 2 参照 REFER TO SHEET 1 OF 2	REVISED EC NO: J2008-2284 DRWN:YMAEDA 2007/12/04 CHKD:NUKITA 2007/12/06 APPR:NUKITA 2007/12/06	DESCRIPTION	GENERAL TOLERANCES (UNLESS SPECIFIED)		DIMENSION STYLE MM ONLY		SCALE ---	DESIGN UNITS METRIC	THIRD ANGLE PROJECTION	
				10 UNDER	±0.2	DRAWN BY Y. NUKANO	DATE 2004/06/05	TITLE 0.4MM B-TO-B CONN NO BOSS PLUG ASSY (HGT=4MM)			
				10 OVER 30 UNDER	±0.25	CHECKED BY T. HIRATA	DATE 2004/06/05	MOLEX INCORPORATED			
				30 OVER	±0.3	APPROVED BY M. SASAO	DATE 2004/06/05	DOCUMENT NO. SD-501017-001		SHEET NO. 2 OF 2	
				ANGULAR	±--- °	MATERIAL NO. SEE TABLE					
				DRAFT WHERE APPLICABLE MUST REMAIN WITHIN DIMENSIONS		THIS DRAWING CONTAINS INFORMATION THAT IS PROPRIETARY TO MOLEX INCORPORATED AND SHOULD NOT BE USED WITHOUT WRITTEN PERMISSION					

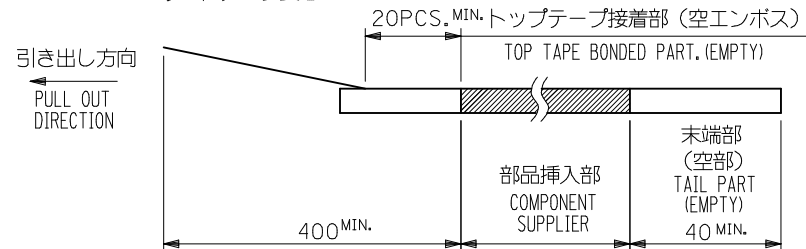
引き出し方向  
PULL OUT  
DIRECTION



DETAIL 'F'

NOTES

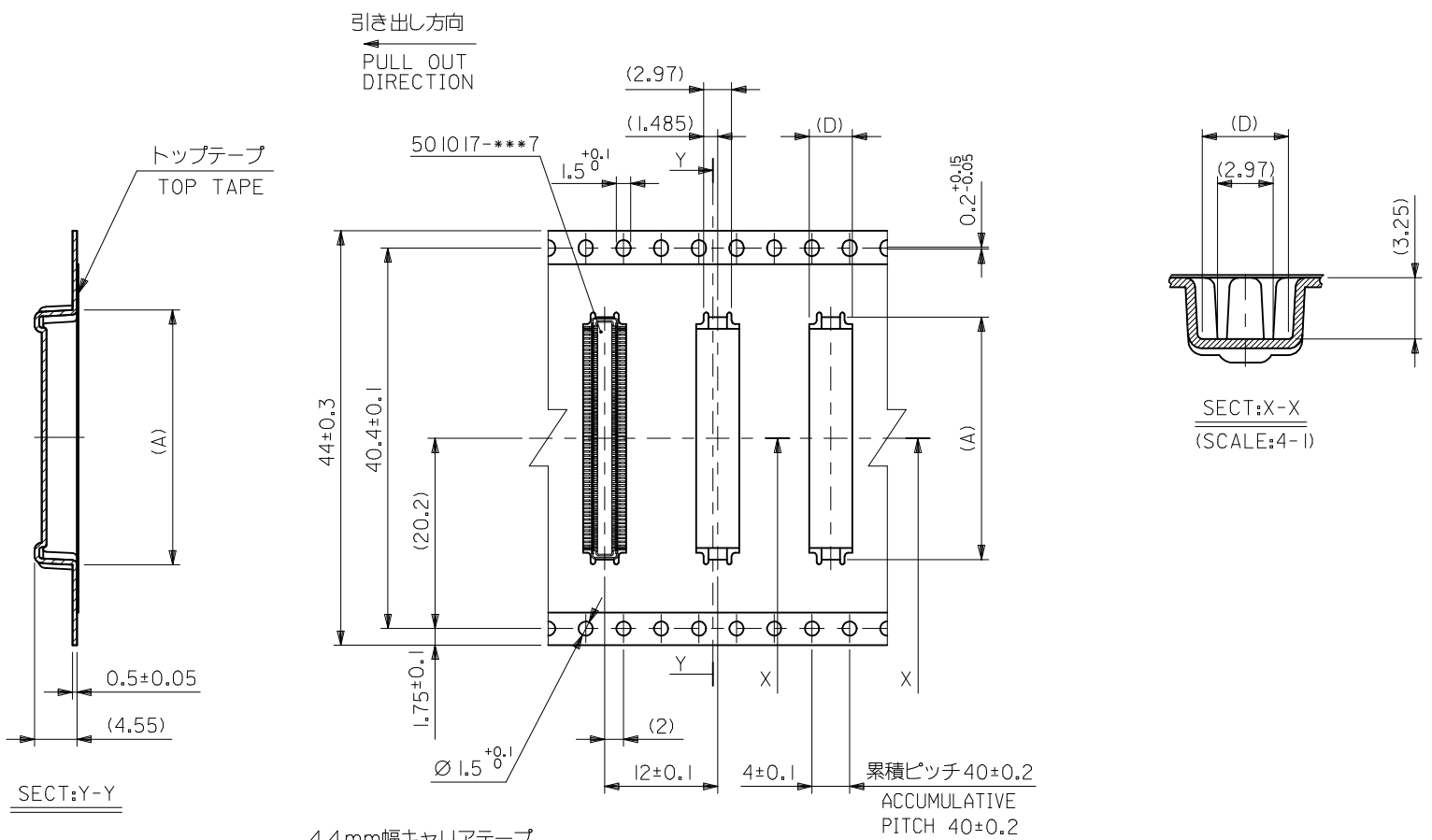
- 製品詳細寸法については図面 SD-501017-001 を参照下さい。  
RE DETAILED DIMENSION, SEE SD-501017-001
- 梱包数量：1500個/リール  
NUMBER OF CONNECTORS : 1500PCS/REEL
- リードテープ長さ LEAD TAPE LENGTH



- シール位置はトップテープ両端から0.5mm以上内側にて行い、  
且つエンボスポケット面にかからない位置とする。  
SEAL POSITION IS 0.5mm OR MORE INNER SIDE FROM TOP TAPE BOTH ENDS  
AND WHICH IS NOT TAKE ON THE EMBOSSED POKET SIDE.
- 材料 (MATERIAL)  
キャリアテープ (CARRIER TAPE) : ポリプロピレン (POLYPROPYLENE)  
トップテープ (TOPTAPE) : PET, PE, PEF  
リール (REEL) : ポリスチレン (PS) <リサイクル材を含む>  
POLYSTYRENE (PS) <RECYCLE MATERIAL CONTAINED>

MODEL NO. 501017-\*\*\*8

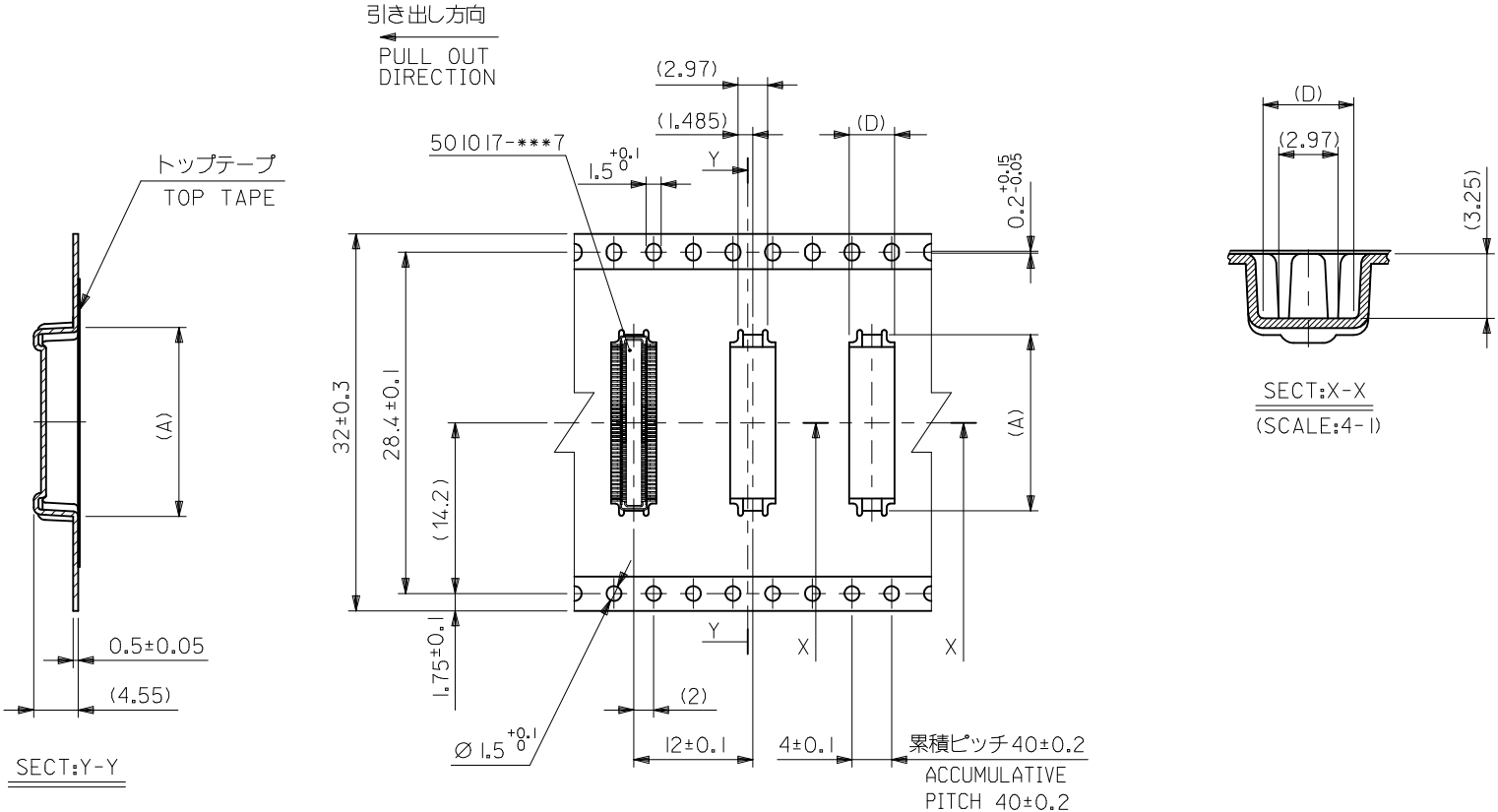
REVISED EC NO: J2014-0046 DRAWN: KINOMURA 2013/07/05 CHKD: TASAKAWA 2013/07/05 APPR: KMORIKAWA 2013/08/05	DESCRIPTION REV	GENERAL TOLERANCES (UNLESS SPECIFIED)		DIMENSION STYLE MM ONLY		SCALE ---	DESIGN UNITS METRIC	THIRD ANGLE PROJECTION		
		10 UNDER	±0.2	DRAWN BY YNUKANOBU	DATE 2004/06/05	TITLE EMBOSSSED TAPE PACKAGE FOR 501017-***7				
		10 OVER 30 UNDER	±0.25	CHECKED BY THIRATA	DATE 2004/06/05					
		30 OVER	±0.3	APPROVED BY MSASAO	DATE 2004/06/05					
ANGULAR ±3 °		DRAFT WHERE APPLICABLE MUST REMAIN WITHIN DIMENSIONS		MATERIAL NO. SEE TABLE		DOCUMENT NO. SD-501017-002		SHEET NO. 1 OF 4		
SIZE A3 THIS DRAWING CONTAINS INFORMATION THAT IS PROPRIETARY TO MOLEX INCORPORATED AND SHOULD NOT BE USED WITHOUT WRITTEN PERMISSION										



44mm幅キャリアテープ  
44mm WIDTH CARRIER TAPE

44	4.57	49.4	45.4	21.75	501017-1008	100
キャリアテープ幅 CARRIER TAPE WIDTH	(D)	C	B	(A)	MATERIAL NO.	極数 CKT.

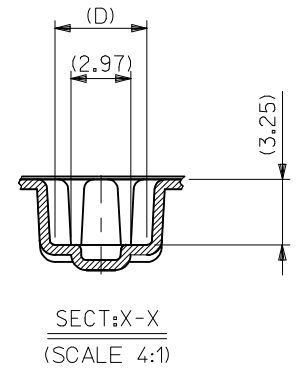
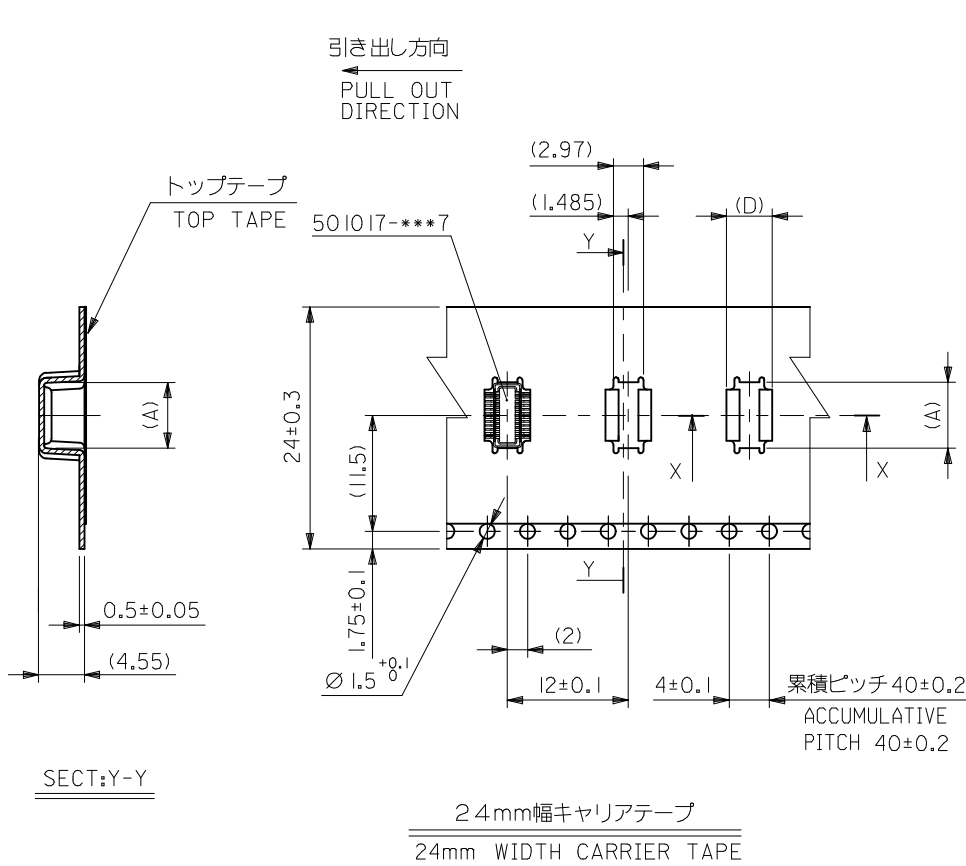
REVISED EC NO: J2014-0046 DRW:KKI INOMURA 2013/07/05 CHK:D:TASAKAWA 2013/07/05 APPR:KMORI KAWA 2013/08/05	GENERAL TOLERANCES (UNLESS SPECIFIED)		DIMENSION STYLE MM ONLY		SCALE ---	DESIGN UNITS METRIC	MODEL NO.   501017-***8
	10 UNDER	±0.2	DRAWN BY YNUKANOBU	DATE 2004/06/05	TITLE EMBOSSD TAPE PACKAGE FOR 501017-***7		
	10 OVER 30 UNDER	±0.25	CHECKED BY THIRATA	DATE 2004/06/05	APPROVED BY MSASAO 2004/06/05		
	30 OVER	±0.3	MATERIAL NO.		DOCUMENT NO.	SHEET NO.	
ANGULAR ±3 °	DRAFT WHERE APPLICABLE MUST REMAIN WITHIN DIMENSIONS		SEE TABLE		SD-501017-002		2 OF 4
THIS DRAWING CONTAINS INFORMATION THAT IS PROPRIETARY TO MOLEX INCORPORATED AND SHOULD NOT BE USED WITHOUT WRITTEN PERMISSION							



32 mm幅キャリアテープ  
32 mm WIDTH CARRIER TAPE

32	4.57	37.4	33.4	17.75	501017-0808	80
	5.02			13.75	501017-0608	60
			11.75	501017-0508	50	
キャリアテープ幅 CARRIER TAPE WIDTH	(D)	C	B	(A)	MATERIAL NO.	極数 CKT.

REVISED EC NO: J2014-0046 DRW:KKI INOMURA 2013/07/05 CHK:D:TASAKAWA 2013/07/05 APPR:KMORI KAWA 2013/08/05	GENERAL TOLERANCES (UNLESS SPECIFIED)		DIMENSION STYLE MM ONLY		SCALE ---	DESIGN UNITS METRIC	MODEL NO.   501017-***8
	10 UNDER	±0.2	DRAWN BY YNUKANOBU	DATE 2004/06/05	TITLE EMBOSSD TAPE PACKAGE FOR 501017-***7		
	10 OVER 30 UNDER	±0.25	CHECKED BY THIRATA	DATE 2004/06/05			
	30 OVER	±0.3	APPROVED BY MSASAO	DATE 2004/06/05			
	ANGULAR ±3 °		MATERIAL NO.	DOCUMENT NO.	SHEET NO.		
DRAFT WHERE APPLICABLE MUST REMAIN WITHIN DIMENSIONS		SEE TABLE		SD-501017-002			3 OF 4
THIS DRAWING CONTAINS INFORMATION THAT IS PROPRIETARY TO MOLEX INCORPORATED AND SHOULD NOT BE USED WITHOUT WRITTEN PERMISSION							



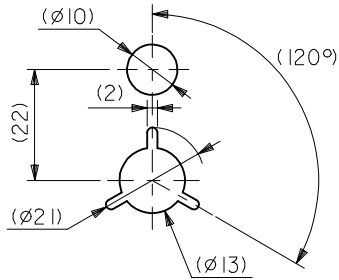
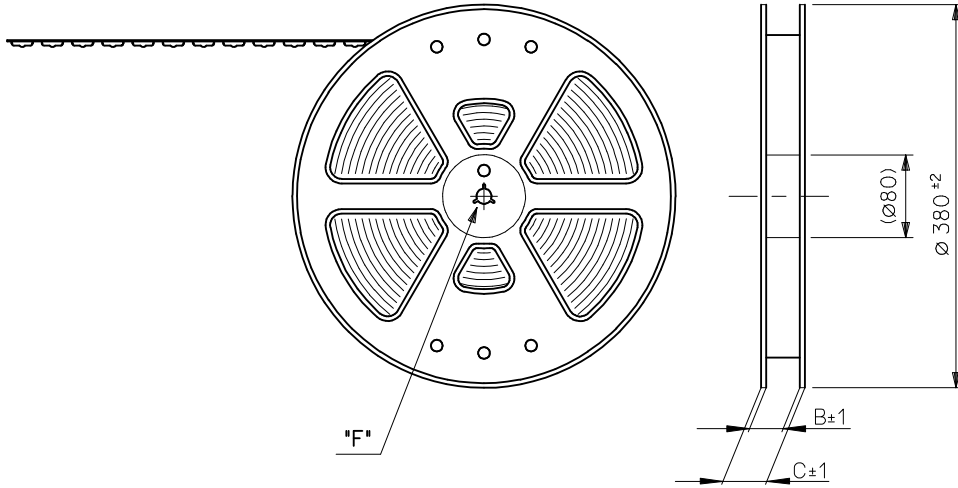
24mm幅キャリアテープ  
24mm WIDTH CARRIER TAPE

24	4.57	29.4	25.4	6.55	501017-0248	24
キャリアテープ幅 CARRIER TAPE WIDTH	(D)	C	B	A	MATERIAL NO.	極数 CKT.

REVISED EC NO: J2014-0046 DRW:KKI INOMURA 2013/07/05 CHK:D:TASAKAWA 2013/07/05 APPR:KMORI KAWA 2013/08/05	DESCRIPTION GENERAL TOLERANCES (UNLESS SPECIFIED)	10 UNDER	±0.2	DIMENSION STYLE MM ONLY	SCALE --- METRIC	DESIGN UNITS ◎ THIRD ANGLE PROJECTION
		10 OVER 30 UNDER	±0.25			
		30 OVER	±0.3			
		ANGULAR	±3 °	DRAWN BY: YNUKANOBU DATE: 2004/06/05 CHECKED BY: THIRATA DATE: 2004/06/05 APPROVED BY: MSASAO DATE: 2004/06/05		MODEL NO.   501017-***8 TITLE EMBOSSED TAPE PACKAGE FOR 501017-***7
DRAFT WHERE APPLICABLE MUST REMAIN WITHIN DIMENSIONS		MATERIAL NO. SEE CHART		DOCUMENT NO. SD-501017-002		SHEET NO. 4 OF 4



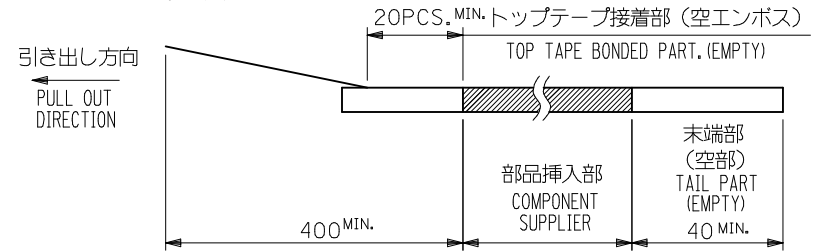
引き出し方向  
PULL OUT  
DIRECTION



DETAIL 'F'

NOTES

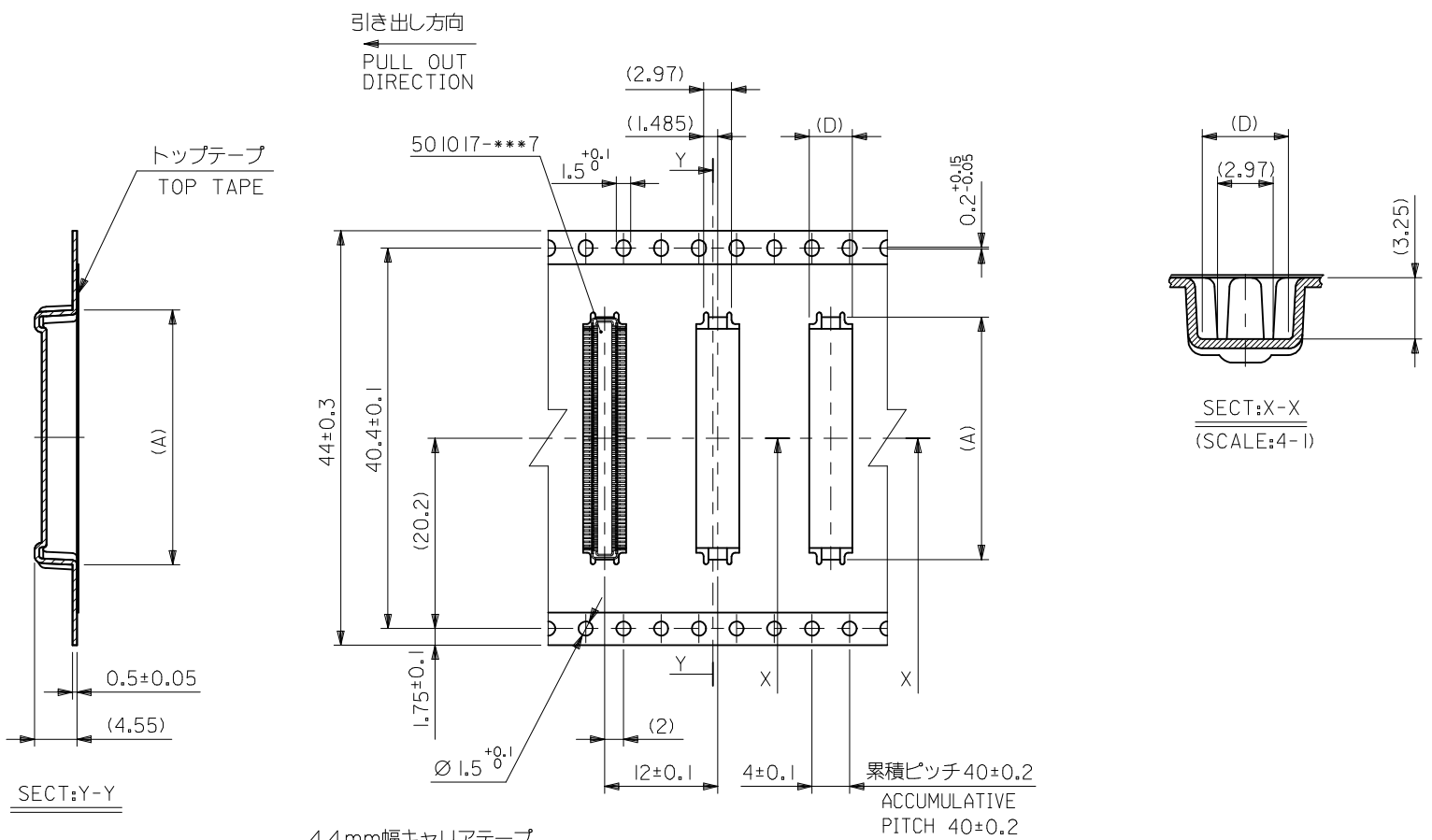
- 製品詳細寸法については図面 SD-501017-005 を参照下さい。  
RE DETAILED DIMENSION, SEE SD-501017-005
- 梱包数量：1500個/リール  
NUMBER OF CONNECTORS：1500PCS/REEL
- リードテープ長さ LEAD TAPE LENGTH



- シール位置はトップテープ両端から0.5mm以上内側にて行い、  
且つエンボスポケット面にかからない位置とする。  
SEAL POSITION IS 0.5mm OR MORE INNER SIDE FROM TOP TAPE BOTH ENDS  
AND WHICH IS NOT TAKE ON THE EMBOSSED POKET SIDE.
- 材料 (MATERIAL)  
キャリアテープ (CARRIER TAPE)：ポリプロピレン (POLYPROPYLENE)  
トップテープ (TOPTAPE)：PET, PE, PEF  
リール (REEL)：ポリスチレン (PS) <リサイクル材を含む>  
POLYSTYRENE (PS) <RECYCLE MATERIAL CONTAINED>

MODEL No. 501017-\*\*\*03

RELEASED EC NO: J2015-0134 DRWN: YSAT006 2014/07/24 CHKD: KTANAKA03 2014/07/28 APPR: KMORIKAWA 2014/07/28	GENERAL TOLERANCES (UNLESS SPECIFIED)		DIMENSION STYLE MM ONLY		SCALE ---	DESIGN UNITS METRIC	THIRD ANGLE PROJECTION
	10 UNDER	±0.2	DRAWN BY YSAT006	DATE 2014/07/24	TITLE EMBOSSSED TAPE PACKAGE FOR 501017-***9		
	10 OVER 30 UNDER	±0.25	CHECKED BY KTANAKA03	DATE 2014/07/28			
	30 OVER	±0.3	APPROVED BY KMORIKAWA	DATE 2014/07/28	<b>molex</b> DOCUMENT NO. SD-501017-006 SHEET NO. 1 OF 2		
	ANGULAR ±3 °		MATERIAL NO. SEE CHART				
DRAFT WHERE APPLICABLE MUST REMAIN WITHIN DIMENSIONS		THIS DRAWING CONTAINS INFORMATION THAT IS PROPRIETARY TO MOLEX INCORPORATED AND SHOULD NOT BE USED WITHOUT WRITTEN PERMISSION					



44mm幅キャリアテープ  
44mm WIDTH CARRIER TAPE

44	4.57	49.4	45.4	25.75	501017-1203	120
キャリアテープ幅 CARRIER TAPE WIDTH	D	C	B	A	MATERIAL NO.	極数 CIRCUITS

MODEL No. : 501017-\*\*\*03

RELEASED EC NO: J2015-0134 DRWN:YSAT006 CHKD:KTANAKA03 APPR:KMORIKAWA 2014/07/24 2014/07/28 2014/07/28	GENERAL TOLERANCES (UNLESS SPECIFIED)		DIMENSION STYLE MM ONLY		SCALE ---	DESIGN UNITS METRIC	THIRD ANGLE PROJECTION
	10 UNDER	±0.2	DRAWN BY YSAT006	DATE 2014/07/24	TITLE EMBOSSD TAPE PACKAGE FOR 501017-***9		
	10 OVER 30 UNDER	±0.25	CHECKED BY KTANAKA03	DATE 2014/07/28			
	30 OVER	±0.3	APPROVED BY KMORIKAWA	DATE 2014/07/28	<b>molex</b> DOCUMENT NO. SD-501017-006 SHEET NO. 2 OF 2		
ANGULAR ±3 °		MATERIAL NO.					
DRAFT WHERE APPLICABLE MUST REMAIN WITHIN DIMENSIONS		SEE CHART		THIS DRAWING CONTAINS INFORMATION THAT IS PROPRIETARY TO MOLEX INCORPORATED AND SHOULD NOT BE USED WITHOUT WRITTEN PERMISSION			