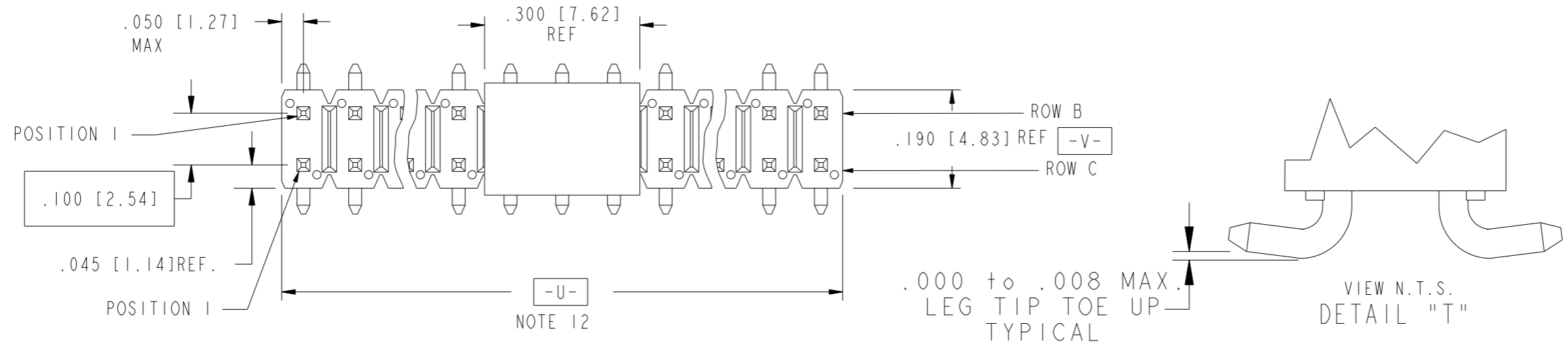
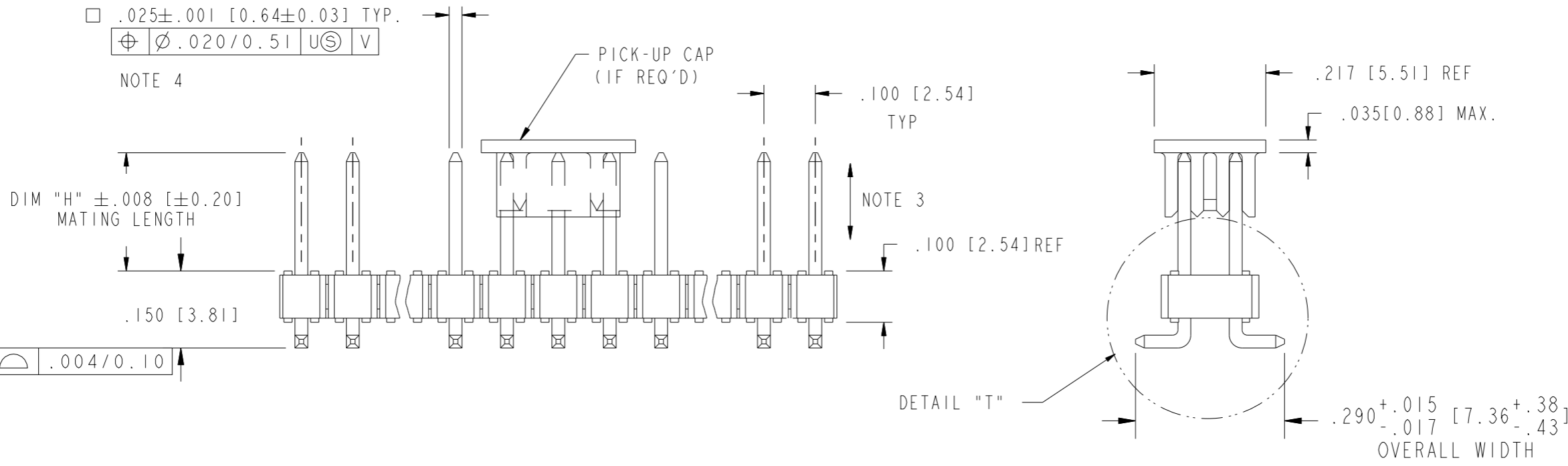


PRODUCT NO.
XXXXX-XYYP XXX LF

- LEAD FREE OPTION (SEE NOTE 8 & 10)
- POLARIZATION NOTE 12
- PACKAGING OPTIONS (SEE NOTE 6)
- NO. OF POSITIONS (SEE NOTE 5)
- PLATING NUMBER (SEE SHEET 2)
- BASE PART NUMBER (SEE SHEET 4)



□ .025±.001 [0.64±0.03] TYP.
 ⊕ ∅.020/0.51 UⓈ V
 NOTE 4

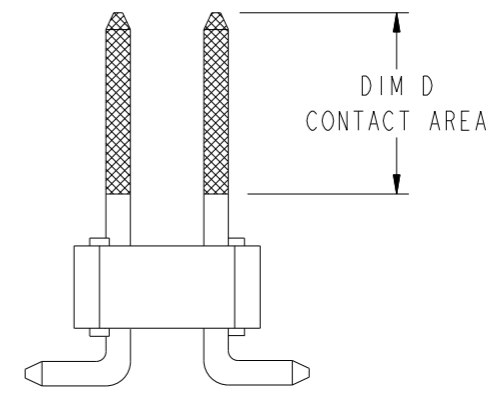


⌒ .004/0.10

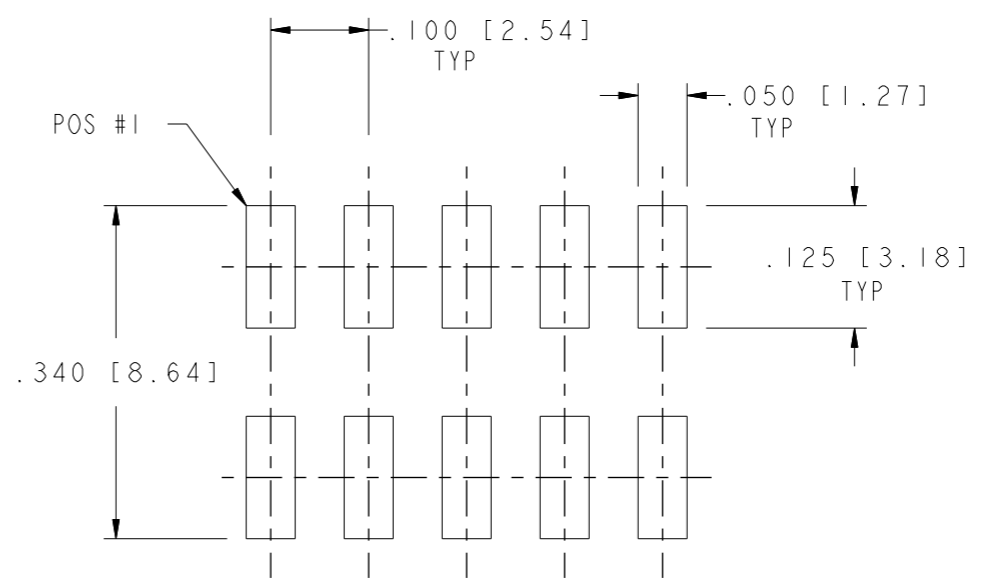
spec ref	dr	Yong Huang	2010/10/25	projection	INCH/MM	size	A3	scale	2:1
tolerance std	eng	Henry Guo	2014/06/06			ecn no		ELX-N-17855-1	
TOLERANCES UNLESS OTHERWISE SPECIFIED						product family		rel level	
surface	✓	linear	.XX/0.X	±0.01/±0.3		BERGSTIC II HEADER DR		dwg no 95157	rev AJ
			.XXX/0.XX	±0.005/±0.13		.100cc DUPLEX VERT. SMT			
			.XXXX/0.XXX	±0.002/±0.05		cat. no.	Product - Customer Drw		
	angular	0°	±2°	www.fci.com	PDS: Rev :AJ	STATUS:Released	Printed: Jun 11, 2014		

PRODUCT NUMBER	CONTACT AREA "DIM D" PLATING	TAIL PLATING
XXXXX-1YY	30u"/0.76u Au OVER 50u"/1.27u Ni.	100u"/2.54u MATTE TIN OVER 50u"/1.27u Ni.
XXXXX-2YY	15u"/0.38u Au OVER 50u"/1.27u Ni.	100u"/2.54u MATTE TIN OVER 50u"/1.27u Ni.
XXXXX-1YYLF	30u"/0.76u Au OVER 50u"/1.27u Ni.	100u"/2.54u MATTE TIN OVER 50u"/1.27u Ni.
XXXXX-2YYLF	15u"/0.38u Au OVER 50u"/1.27u Ni.	100u"/2.54u MATTE TIN OVER 50u"/1.27u Ni.
XXXXX-4YYLF	100u"/2.54u" min Matte Tin OVER 50u"/1.27u min Ni.	100u"/2.54u MATTE TIN OVER 50u"/1.27u Ni.

(NOTE 11 & 13)
 (NOTE 11 & 13)
 (NOTE 11 & 13)
 (NOTE 11 & 13)
 (NOTE 11)



DOUBLE ROW SMT
END VIEW



DOUBLE ROW
RECOMMENDED PAD LAYOUT
SCALE: 4/1

NOTES:

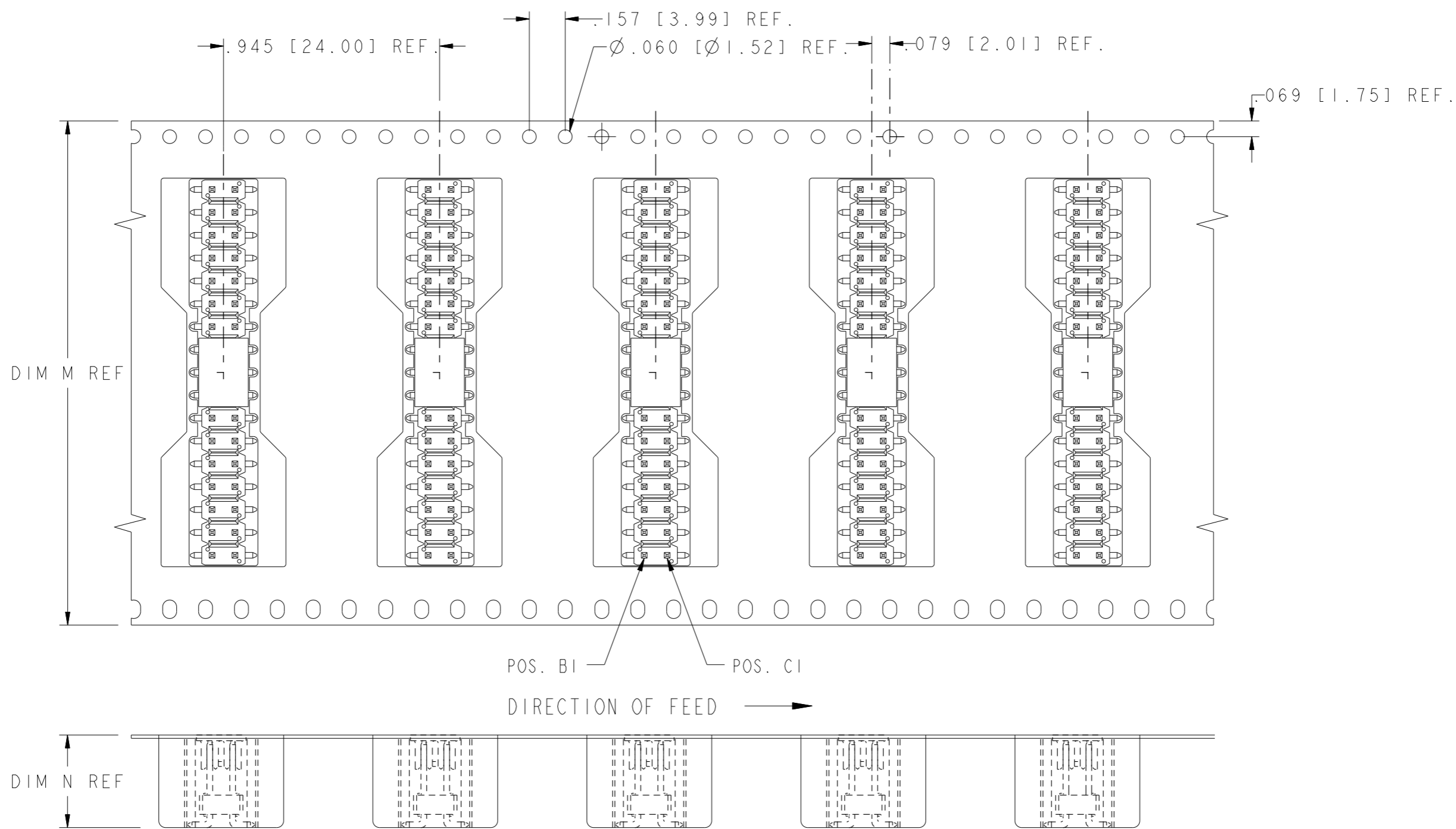
- ① BODY MATERIAL: GLASS FIBER REINFORCED PCT OR PA46 FLAME RETARDENT PER UL-94V-0. COLOR: BLACK
OR
MINERAL FILLED LCP FLAME RETARDENT PER UL-94V-0. COLOR: BLACK
- ② PIN MATERIAL: PHOS-BRONZE.
- ③ 2 Lbs / 0.9 Kg MIN PIN RETENTION IN EITHER DIRECTION.
- ④ MEASURED WITH PART IN RESTRAINED CONDITION.
- ⑤ NUMBER OF POSITIONS FROM 4(2X2) THRU 40(2X20) EXCEPT TAPE-ON-REEL AVAILABLE 4(2X2) THRU 34(2X17) ONLY.
- ⑥ PACKAGING OPTIONS: CHECK SPECIFIC PART NUMBERS FOR AVAILABILITY. PART NUMBERS WITHOUT A SUFFIX ARE PACKAGED IN POLY BAGS. PART NUMBERS FOLLOWED BY A "T" SUFFIX ARE PACKAGED IN TUBES. PART NUMBERS FOLLOWED BY A "V" SUFFIX ARE PACKAGED TAPE-ON-REEL WITH A PICK-UP CAP INSTALLED CENTRALLY LOCATED. PART NUMBERS FOLLOWED BY A "VM" SUFFIX ARE PACKAGED DIFFERENT TAPE-ON-REEL WITH A PICK-UP CAP INSTALLED CENTRALLY LOCATED. AVAILABLE PART NUMBERS SEE TAB. PART NUMBERS FOLLOWED BY A "W" SUFFIX ARE PACKAGED TAPE-ON-REEL WITHOUT A PICK-UP CAP.
- ⑦ CONTACT MARKETING BEFORE ORDERING ODD POSITION PART NUMBERS (2X3, 2X5, 2X7, ETC.).
- ⑧ ADD LF TO THE END OF PART NUMBER FOR LEAD FREE OPTION.
- ⑨ THE HOUSING WILL WITHSTAND EXPOSURE TO 260°C PEAK TEMPERATURE FOR 20 SECONDS IN A CONVECTION, INFRA-RED OR VAPOR PHASE REFLOW OVEN. SEE APPLICATION NOTES/PROCEDURES IF THEY ARE AVAILABLE.
- ⑩ THESE PRODUCTS MEETS EUROPEAN UNION DIRECTIVES AND OTHER COUNTRY REGULATION AS DESCRIBED IN GS-22-008.
- ⑪ "THIS PRODUCT HAS 100% MATTE TIN PLATING IN THE INTERFACE AND HAS NOT BEEN TESTED FOR WISKER GROWTH IN ALL INTERCONNECT ENVIROMENTS".
- ⑫ FOR POLARIZATION SPECIFY POSITION NUMBER (i.e. B03 = ROW B POSITION 3) TO OMIT AN OMIT FROM PRODUCT NUMBER IF THIS TEXTURE IS NOT APPLICABLE PRODUCT MANAGER APPROVAL REQUIRED PRIOR TO RELEASE OR SALE OF POLARIZED PRODUCTS.
- ⑬ PLATING OPTIONS: MAY BE EITHER GOLD OR GXT PLATED AT MANUFACTURER'S OPTION.



Copyright FCI.

dr	Yong Huang	2010/10/25	projection	INCH/MM	size	A3	scale	DRAWING SCALE
eng	Henry Guo	2014/06/06			ecn no	ELX-N-17855-1		
chr	-	-	product family	← →	rel level	Released		
appr	Rick Bian	2014/06/11						
www.fci.com		cat. no.	BERGSTIC II HEADER DR		dwg no	95157	rev	AJ
			Product - Customer Drw		sheet 2 of 5			

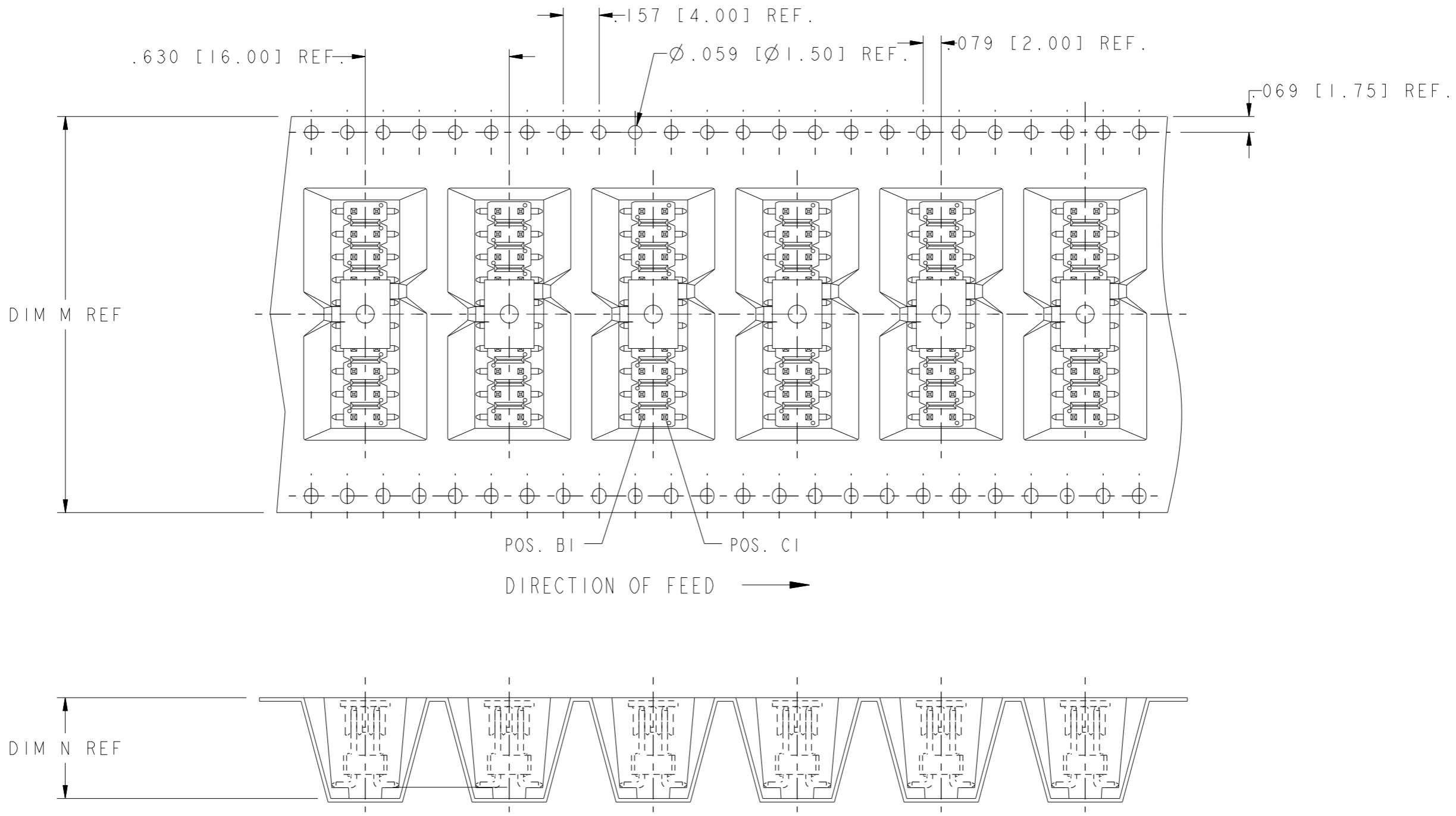
PRODUCT NUMBER
SEE TABLE



Copyright FCI.

dr	Yong Huang	2010/10/25	projection INCH/MM	size	A3	scale	DRAWING SCALE
eng	Henry Guo	2014/06/06		ecn no	ELX-N-17855-1		
chr	-	-	product family	rel level	Released		
appr	Rick Bian	2014/06/11		title	BERGSTIC II HEADER DR		rev
www.fci.com	cat. no.		dwg no	95157		sheet 3 of 5	

PRODUCT NUMBER
SEE TABLE



Copyright FCI.
FCI

dr	Yong Huang	2010/10/25	projection INCH/MM	size	A3	scale	DRAWING SCALE
eng	Henry Guo	2014/06/06		ecn no	ELX-N-17855-1		
chr	-	-	product family	rel level	Released		
appr	Rick Bian	2014/06/11		title	BERGSTIC II HEADER DR		rev
www.fci.com		cat. no.	Product - Customer Drw	dwg no	95157	sheet 4 of 5	

Mouser Electronics

Authorized Distributor

Click to View Pricing, Inventory, Delivery & Lifecycle Information:

[FCI / Amphenol:](#)

[95157-110TLF](#) [95159-214VLF](#) [95157-126VLF](#) [95157-134VLF](#) [95157-110](#) [71277-228HLF](#) [71277-408HLF](#) [95157-110LF](#) [95157-140TLF](#) [95157-210LF](#) [95157-230LF](#) [95159-210LF](#) [95159-214LF](#) [95159-234LF](#) [95157-106LF](#) [95157-108V](#) [95157-108VLF](#) [95157-110HVLF](#) [95157-112V](#) [95157-114VLF](#) [95157-116VLF](#) [95157-120LF](#) [95157-126V](#) [95157-214VLF](#) [95157-240](#) [95157-208LF](#) [95157-206VLF](#) [95157-226VLF](#) [95157-132LF](#) [95157-104WLF](#) [95157-120VLF](#) [95157-110VMLF](#) [95157-230VLF](#)