

NOTES:

1. MATERIAL:

HOUSING: LCP FIBER GLASS FILLED UL 94-V0 COLOR: BLACK
 TERMINAL: PHOSPOR BRONZE.

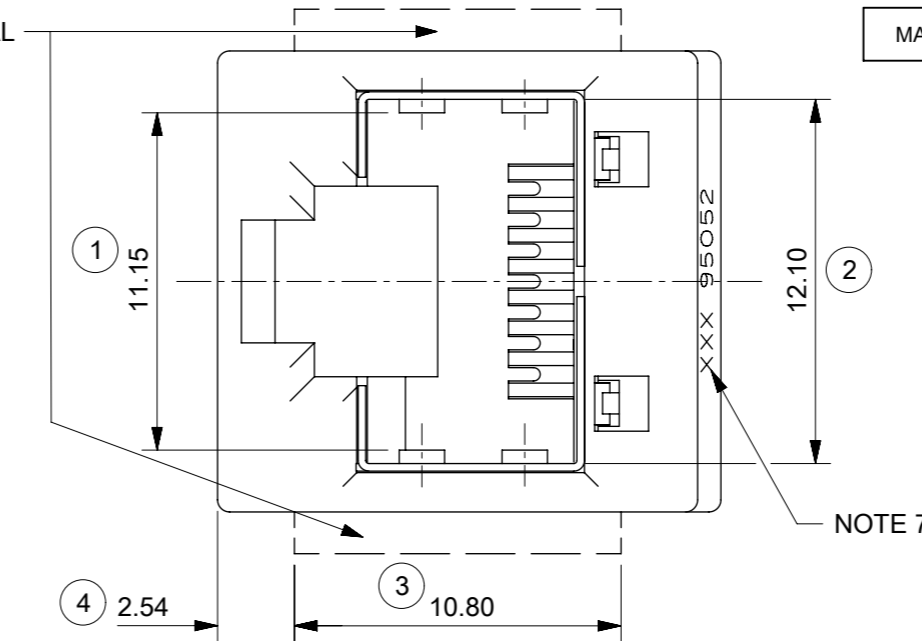
PLATING:

BASE FINISH: NICKEL
 CONTACT SURFACE FINISH:
 GOLD,
 OR
 GOLD FLASH OVER PALLADIUM NICKEL.
 EXCEEDS PRODUCT REQUIREMENTS BASED ON PS-85507-001
 SHIELD: COPPER ALLOY PLATED WITH TIN

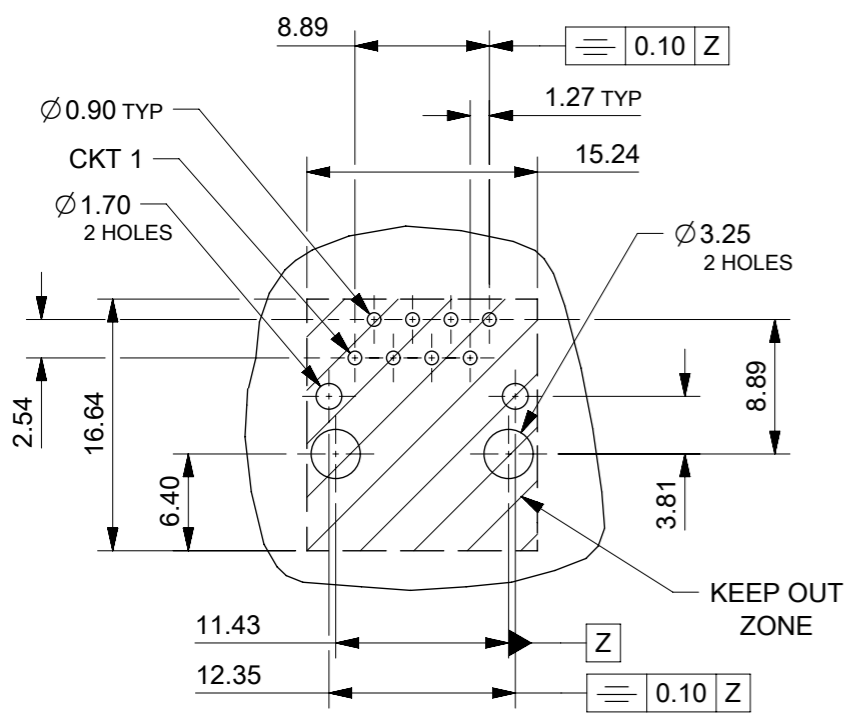
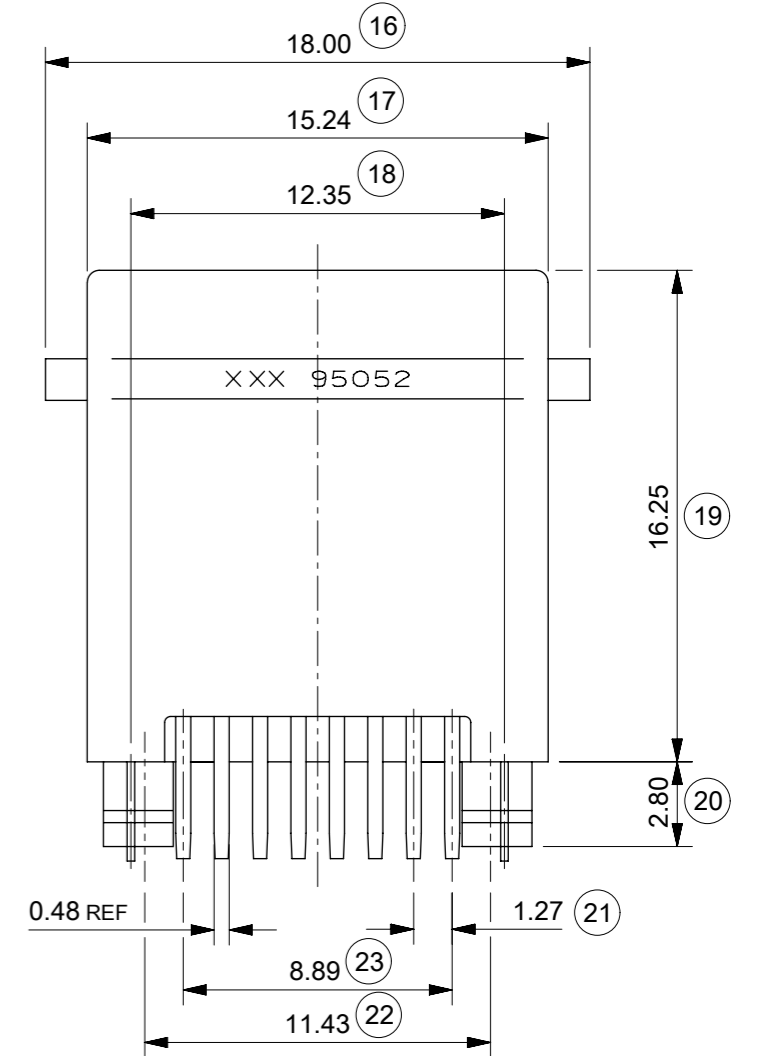
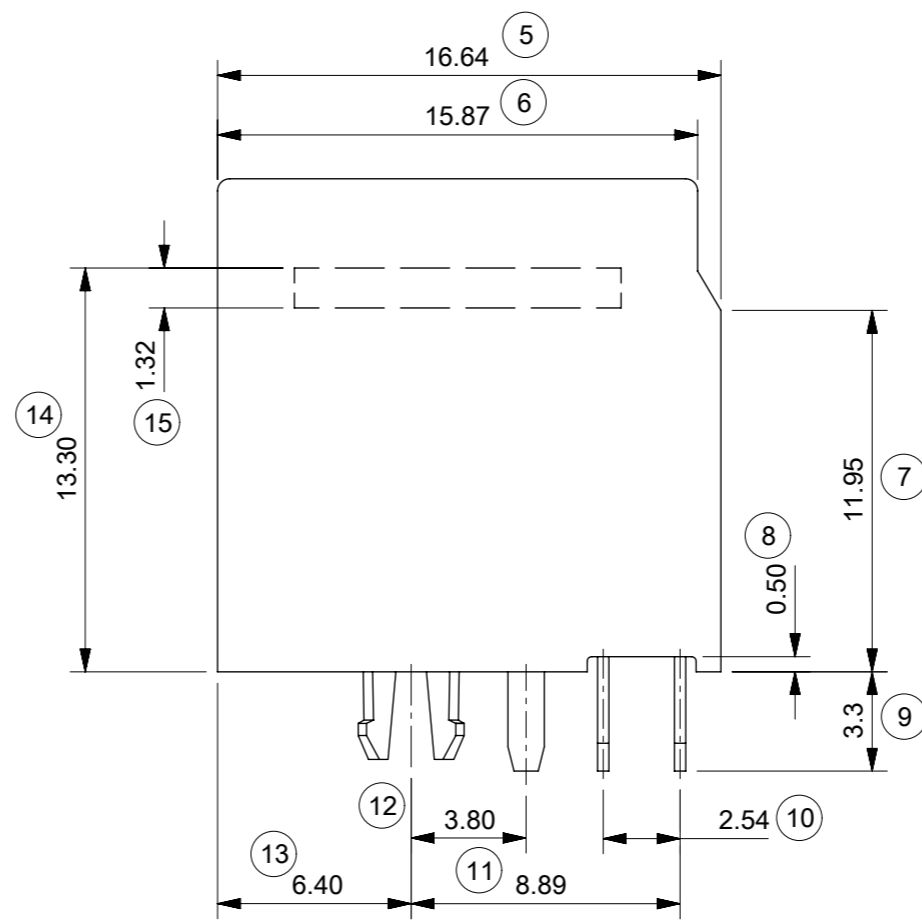
- 2. JACK FOR MATING WITH IEC 60603-7 AND TIA-1096-A SHIELDED PLUGS (95043 MOLEX SERIES).
- 3. PRODUCT SPECIFICATION PS-85507-001
- 4. PACKAGING SPECIFICATION PK-95022 (TRAY PACKAGING).
- 5. EXCEEDS CATEGORY 5E PERFORMANCE.
- 6. PC BOARD THICKNESS: 1.57
- 7. MANUFACTURING I.D. CAN BE MG, MXF, MXI OR MXCH.
- 8. APPLICATION SPECIFICATION: AS-85513-001

LAST INSPECTION NO.: 23

OPTIONAL RIBS



| | | | |
|--------------|-----------------|--------------------|--|
| | JACKS WITH RIBS | JACKS WITHOUT RIBS | |
| MATERIAL NO. | 85507-5001 | 85507-5002 | |



P.C.B. MOUNTING PATTERN
 (VIEW FROM COMPONENT SIDE)
 SCALE 2:1
 ALL DIMENSIONS REFERENCE ONLY

| | | | |
|--------------------|---|------------------------------|---|
| FUNCTIONAL SYMBOLS | THIS DRAWING CONTAINS INFORMATION THAT IS PROPRIETARY TO MOLEX ELECTRONIC TECHNOLOGIES, LLC AND SHOULD NOT BE USED WITHOUT WRITTEN PERMISSION | | |
| | DIMENSION UNITS | SCALE | CURRENT REV DESC: ADD "MXCH" AS MANUFACTURING I.D. SEE NOTE 7. |
| ▽A = 0 | mm | 1:1 | EC NO: 641518 DRWN: CRAODOREMS 2018/02/09 CHK'D: KLANG 2020/08/25 APPR: KLANG 2020/08/25 |
| ▽E = 0 | GENERAL TOLERANCES (UNLESS SPECIFIED) | | |
| ▽F = 0 | ANGULAR TOL ± 2.0° | | INITIAL REVISION: DRWN: DBYRNES 2007/01/22 APPR: EOMAHONY 2007/01/25 |
| DIVISIONAL SYMBOLS | 4 PLACES ± | | |
| | 3 PLACES ± | | DOCUMENT NUMBER SD-85507-501 |
| | 2 PLACES ± 0.15 | | |
| | 1 PLACE ± 0.25 | | DOC TYPE PSD |
| | 0 PLACES ± | | DOC PART 001 |
| | DRAFT WHERE APPLICABLE MUST REMAIN WITHIN DIMENSIONS | THIRD ANGLE PROJECTION | REVISION F1 |
| | | DRAWING A3-SIZE | SHEET NUMBER 1 OF 1 |
| | | SERIES 85507 | CUSTOMER GENERAL MARKET |
| | | MATERIAL NUMBER SEE CHART | |