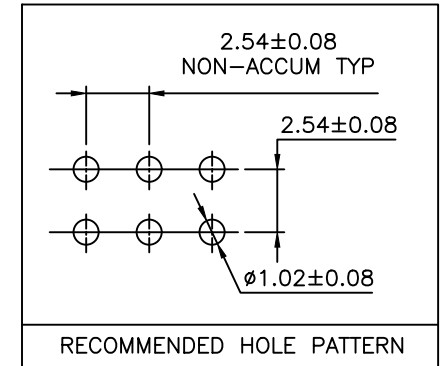
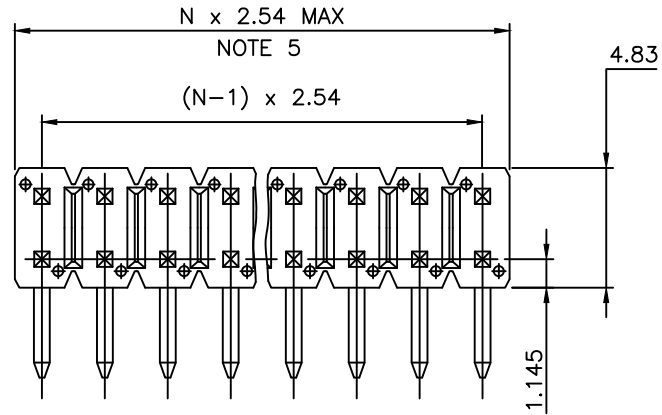


PRODUCT NUMBER

77317-YXX-XXLF

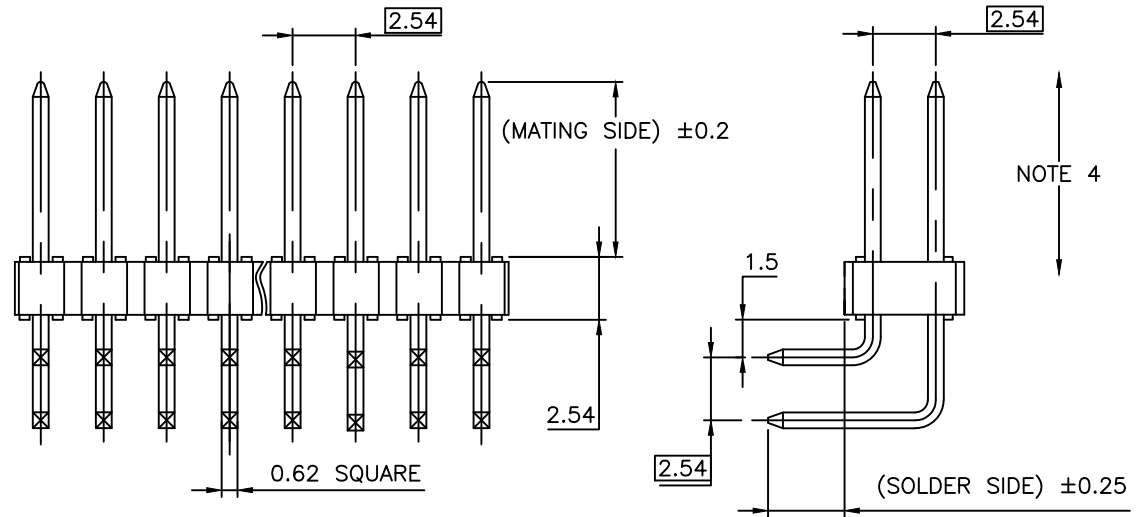
- RoHS COMPATIBLE
SEE NOTE 7
- TOTAL NB OF POSITIONS 04 TO 72
- PIN STYLE SEE SHEET 2
- PLATING SEE SHEET 2



NOTES:

1. HOUSING MAT'L : HIGH TEMPERATURE THERMOPLASTIC. UL94V-0 COLOR: BLACK
2. PIN MATERIAL : PHOSPHOR BRONZE
3. STANDARD PACKAGING IN POLYBAG
4. 9N MIN RETENTION IN EITHER DIRECTION
5. TO DETERMINE DIMENSIONS :
N = NUMBER OF POSITIONS PER ROW
EXAMPLE : 8 POS N x 2.54 = 20.32mm
6. UNDERPLATING : 1.27µm Ni MIN
7. RoHS COMPATIBLE PRODUCT SPECIFICATIONS

- a - PLATING:
 - "LF" MEANS THE PRODUCT IS LEAD-FREE, 2µm MINIMUM MATTE TIN OVER 1.27µm MINIMUM NICKEL UNDERPLATE.
- b - MANUFACTURING PROCESS COMPATIBILITY
 - THE HOUSING WILL WITHSTAND EXPOSURE TO 260°C ±5°C SOLDER BATH TEMPERATURE FOR 5 SECONDS IN A WAVE SOLDER APPLICATION WITH A 1.6mm MIN THICK CIRCUIT BOARD.
- c - LABELING:
 - MEETS PACKAGING SPECS AS PER GS-14-920
- d - LEGAL STATEMENT: SEE GS-47-0004



mat'l. code SEE NOTES		surface ISO 1302 ✓		tolerance ISO 406 ISO 1101		projection mm		product family BERGSTIK	
ltr ecn no dr date		tolerances unless otherwise specified		.X ±0.3		mm		title UNSHR.HEADER RA DR TMT	
AH B-18916 LMU 14.09.29		angles		.XX ±0.15		scale 5:1		dwg no 77317	
AJ B-19783 AMA 14.12.18		linear		.XXX ±0.05		FCJ		sheet 1 of 2 size A3	
AK B-21242 AMA 15.06.25		dr		D.LE 01.01.24		type CUSTOMER Drawing			
AL F-23305 AMA 16.02.19		engr		JM.C 01.01.24					
AM F-27765 DDE 17.08.21		chr		JM.C 01.01.24					
AN F-29937 DDE 18.04.20		appd		JF.N 01.01.24					
sheet index		revision sheet		AN 1		AK 2			

PLATING

- 1 = 0.76µm GOLD/GXT ON CONTACT AREA, 2µm TIN MIN ON TAIL
- 4 = 2µm TIN MIN FULL PLATED
- 5 = 0.25µm GOLD/GXT ON CONTACT AREA, 2µm TIN MIN ON TAIL
- 8 = 0.38µm GOLD/GXT ON CONTACT AREA, 2µm TIN MIN ON TAIL
- G = 0.76µm FULL GXT
- S = 0.38µm FULL GXT
- 1.27µm NICKEL MIN UNDERLAYER FOR ALL PLATING VERSIONS

PRODUCTS SPECIFICATIONS		
PIN STYLE	MATING	SOLDER
01	5.72	2.57
03	5.84	2.41
04	5.84	3.05
10	8.07	3.05
12	6.80	3.05
14	10.00	2.70
15	7.00	16.40
16	7.80	13.50
17	7.48	1.60
18	8.80	2.90
19	2.60	2.60
20	N/A	
21	10.89	3.05
22	3.51	3.51
23	7.20	3.05



Copyright FCI

mat'l. code		surface		tolerance		projection		product family	
SEE NOTES		ISO 1302 ✓		ISO 406 ISO 1101				BERGSTIK	
ltr	ecn no	dr	date	tolerances unless otherwise specified		mm		title	
AG	B-21242	AMA	15.06.25	angles	linear	.X ±0.3		UNSHR.HEADER	
AH	F-23305	AMA	16.02.19			.XX ±0.15		RA DR TMT	
AJ	F-27765	DDE	17.08.21			.XXX ±0.05		scale 5:1	
AK	F-29937	DDE	18.04.20	dr	D.LE	01.01.24		dwg no	
				engr	JM.C	01.01.24		sheet 2 of	
AE	F11-0320	LMU	12.01.25	chr	JM.C	01.01.24		77317	
AF	B-18916	LMU	14.09.29	appd	JF.N	01.01.24		A3	
sheet		revision						type	
index		sheet						CUSTOMER Drawing	

Mouser Electronics

Authorized Distributor

Click to View Pricing, Inventory, Delivery & Lifecycle Information:

FCI / Amphenol:

[77317-104-16](#) [77317-112-10](#) [77317-112-24](#) [77317-112-34](#) [77317-804-06](#) [77317-804-08](#) [77317-812-08](#) [77317-812-72](#) [77317-104-54LF](#) [77317-104-56LF](#) [77317-104-58LF](#) [77317-104-60LF](#) [77317-104-66LF](#) [77317-104-68LF](#) [77317-104-70LF](#) [77317-112-22LF](#) [77317-112-26LF](#) [77317-112-30LF](#) [77317-112-32LF](#) [77317-112-36LF](#) [77317-112-38LF](#) [77317-112-44LF](#) [77317-112-48LF](#) [77317-112-50LF](#) [77317-112-52LF](#) [77317-112-54LF](#) [77317-112-56LF](#) [77317-112-58LF](#) [77317-112-62LF](#) [77317-112-66LF](#) [77317-112-68LF](#) [77317-112-70LF](#) [77317-403-04LF](#) [77317-403-06LF](#) [77317-403-08LF](#) [77317-403-10LF](#) [77317-403-12LF](#) [77317-403-14LF](#) [77317-403-16LF](#) [77317-403-18LF](#) [77317-403-20LF](#) [77317-403-22LF](#) [77317-403-24LF](#) [77317-403-26LF](#) [77317-403-28LF](#) [77317-403-30LF](#) [77317-403-32LF](#) [77317-403-34LF](#) [77317-403-36LF](#) [77317-403-38LF](#) [77317-403-40LF](#) [77317-403-42LF](#) [77317-403-44LF](#) [77317-403-46LF](#) [77317-403-48LF](#) [77317-403-50LF](#) [77317-403-52LF](#) [77317-403-54LF](#) [77317-403-56LF](#) [77317-403-58LF](#) [77317-403-60LF](#) [77317-403-62LF](#) [77317-403-64LF](#) [77317-403-66LF](#) [77317-403-68LF](#) [77317-403-70LF](#) [77317-404-06LF](#) [77317-404-08LF](#) [77317-404-10LF](#) [77317-404-12LF](#) [77317-404-18LF](#) [77317-404-20LF](#) [77317-404-22LF](#) [77317-404-24LF](#) [77317-404-26LF](#) [77317-404-28LF](#) [77317-404-30LF](#) [77317-404-32LF](#) [77317-404-34LF](#) [77317-404-36LF](#) [77317-404-38LF](#) [77317-404-40LF](#) [77317-404-42LF](#) [77317-404-44LF](#) [77317-404-46LF](#) [77317-404-48LF](#) [77317-404-50LF](#) [77317-404-52LF](#) [77317-404-54LF](#) [77317-404-56LF](#) [77317-404-58LF](#) [77317-404-60LF](#) [77317-404-62LF](#) [77317-404-64LF](#) [77317-404-70LF](#) [77317-412-06LF](#) [77317-412-08LF](#) [77317-412-14LF](#) [77317-412-18LF](#) [77317-412-22LF](#)