



Heyco-Flex™ Liquid Tight Conduit Fittings

For Flexible, Nonmetallic Liquid Tight Heyco-Flex™ I Conduit and Heyco-Flex™ II Tubing Straight-Thru, NPT Hubs

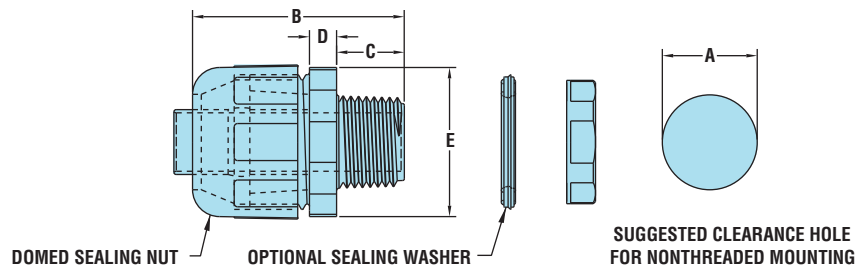
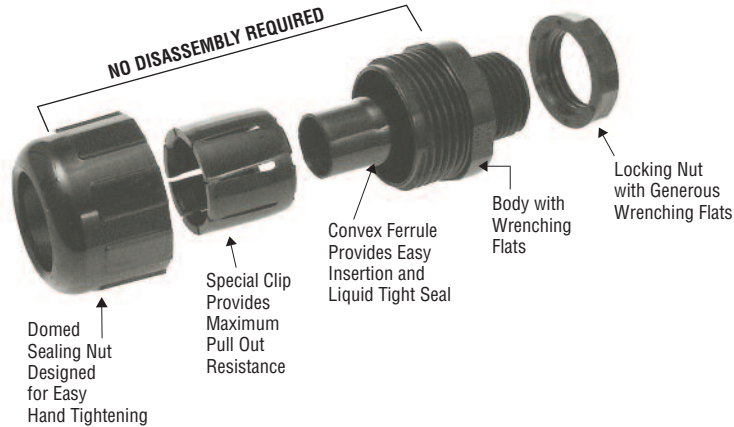
- No disassembly required. Instead, the installer simply pushes the conduit or tubing onto the ferrule, then tightens the domed sealing nut. This completed assembly can then be secured in the panel by the locknut or into an NPT threaded hole.
- Convex ferrule ensures liquid tight seal.
- No threading of the conduit or tubing is required to install. This eliminates the possibility of cutting the conduit and creating leak paths.
- Complete conduit/connector system is reusable. Conduit will not wind tight onto the connector during assembly and can be easily removed by pulling while turning in a clockwise direction.
- Multiple sizes for use with Heyco-Flex Conduit and Tubing. See pages 2-7 and 2-8.
- Suitable for indoor/outdoor use; for original equipment manufacturers or field installers.
- Use of a sealing washer may be required for wet locations. See page 2-19.
- All nylon construction resists salt water, weak acids, gasoline, alcohol, oil, grease, and common solvents. (This feature is not assessed by UL certification and testing.)
- If using a tapped hole, Teflon® tape is needed on the threads of the connector, for all other applications an O-ring and Locknut are needed to attain liquid tight.
- Black connectors up to 1" provided with nylon locknut, packed separately. O-ring sold separately, see page 2-20.
- Black connectors larger than 1" and all gray connectors provided with assembled O-ring and metal locknuts.
- See pages 2-17 and 2-18 for locknuts.

FITS CONDUIT/TUBING TRADE SIZE	PART NO.		DESCRIPTION	THREAD SIZE	PART DIMENSIONS BODY AND SEALING UNIT									
	Black	Gray			A		B		C		D		E	
					Clearance Hole	in.	mm.	Max. O.A. Length	in.	mm.	Thread Length	in.	mm.	Nut Thk.
1/4	8398	-	HFC 1/4-PG7*	PG7	.492	12,5	1.13	28,7	.45	11,4	.21	5,3	1.00	25,4
3/8	8400	8401	HFC 3/8	1/2" NPT	.875	22,2	1.96	49,8	.63	16,0	.25	6,3	1.33	33,7
1/2	8402	8403	HFC 1/2		**									
3/4	8404	8405	HFC 3/4	3/4" NPT	1.109	28,1	2.04	52,8	.63	16,0	.25	6,3	1.56	39,6
1	8406	8407	HFC 1	1" NPT	1.375	34,9	2.25	57,2	.78	19,8	.25	6,3	1.81	46,0
1-1/4	8638	8639	HFC 1-1/4	1-1/4" NPT	1.734	44,0	2.07	52,6	.69	17,4	.25	6,3	2.15	54,6
1-1/2	8640	8641	HFC 1-1/2	1-1/2" NPT	1.984	50,4	2.28	57,9	.78	19,8	.28	7,0	2.40	61,0
2	8642	8643	HFC 2	2" NPT	2.469	62,7	2.26	66,0	.85	21,6	.31	7,9	2.98	75,6

Standard colors black and gray.

*Standard color black. Recognized under UL file E121095. For PG 7 thread specification, see page 3-57.

**Fittings use same mounting hole size but attach two different conduit sizes.



Material	Nylon 6/6
Certifications	<ul style="list-style-type: none"> UL Listed under Underwriters' Laboratories File E28430 CSA Certified by Canadian Standards Association File 84579 and 81067
Flammability Rating	94V-2
Temperature Range	-22°F (-30°C) to 221°F (105°C)
IP Rating	IP 68 up to 70 psi (5 bar) water pressure

Mouser Electronics

Authorized Distributor

Click to View Pricing, Inventory, Delivery & Lifecycle Information:

[Heyco:](#)

[8400](#) [8402](#) [8404](#) [8406](#) [8405](#) [8403](#) [8407](#) [8401](#) [8398](#) [8638](#) [8640](#) [8642](#) [8641](#) [8639](#) [8643](#)