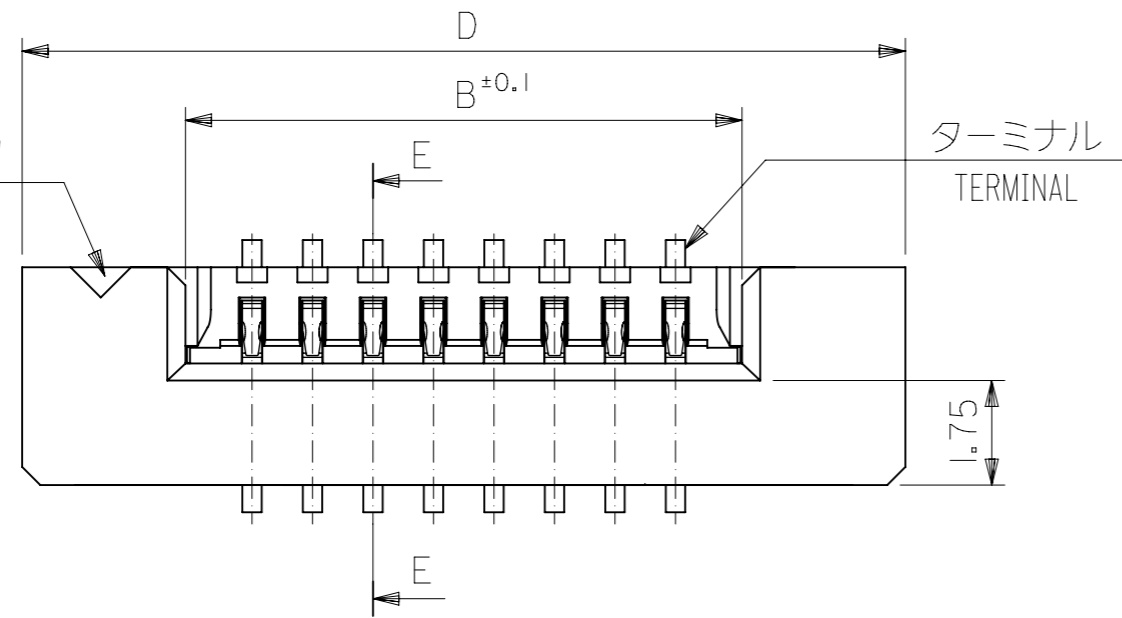
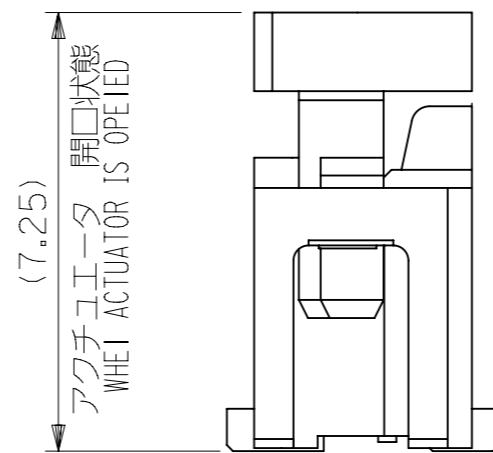


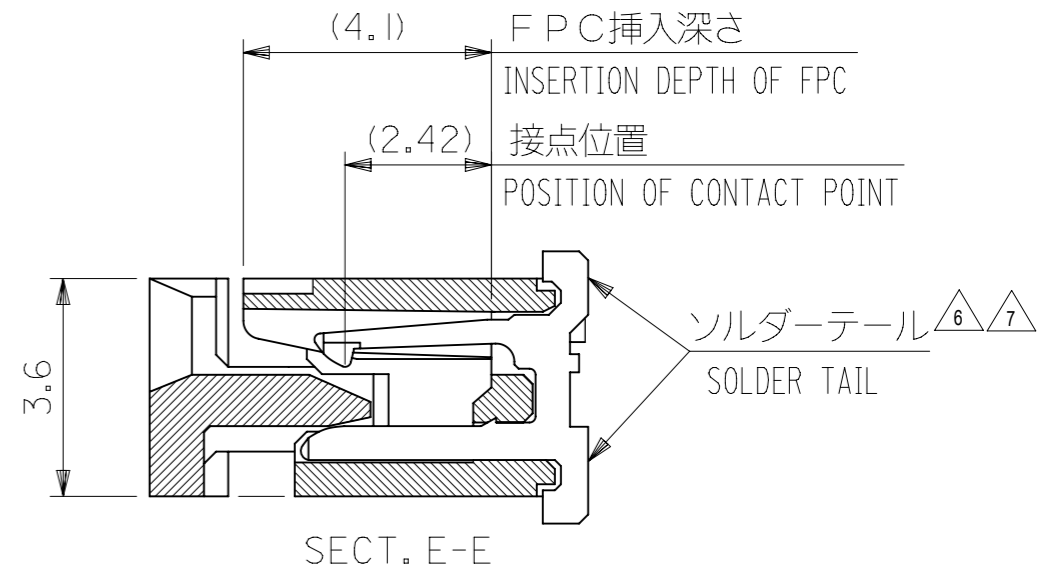
回路番号1マーク
CIRCUIT NO. 1 MARK



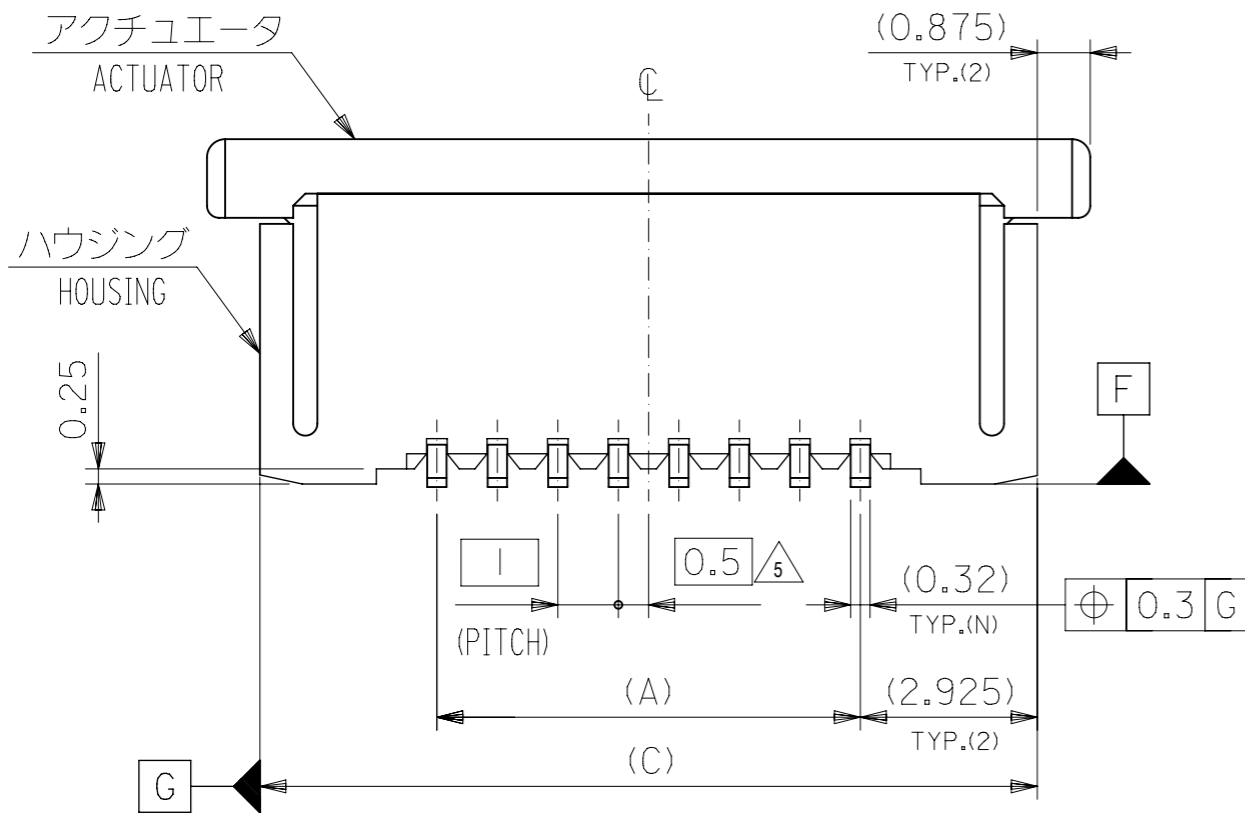
ターミナル
TERMINAL



アクチュエータ 開口状態
WHEI ACTUATOR IS OPEIED

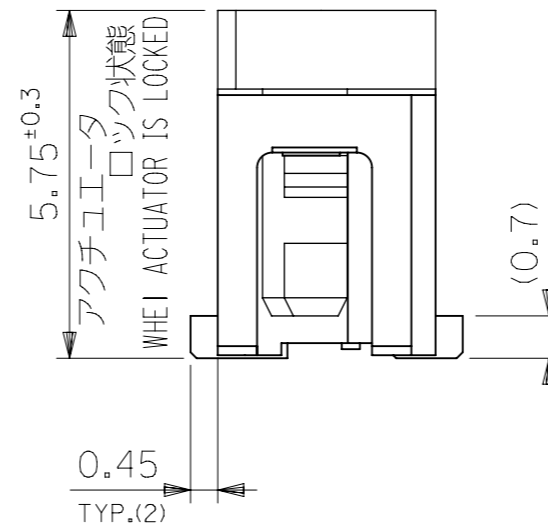


SECT. E-E



アクチュエータ
ACTUATOR

ハウジング
HOUSING



アクチュエータ ロック状態
WHEI ACTUATOR IS LOCKED

| | | | | | |
|------|-------|------|----|------------|----|
| 36.6 | 34.85 | 31.2 | 29 | 52610-3033 | 30 |
| 34.6 | 32.85 | 29.2 | 27 | 52610-2833 | 28 |
| 32.6 | 30.85 | 27.2 | 25 | 52610-2633 | 26 |
| 31.6 | 29.85 | 26.2 | 24 | 52610-2533 | 25 |
| 30.6 | 28.85 | 25.2 | 23 | 52610-2433 | 24 |
| 29.6 | 27.85 | 24.2 | 22 | 52610-2333 | 23 |
| 28.6 | 26.85 | 23.2 | 21 | 52610-2233 | 22 |
| 27.6 | 25.85 | 22.2 | 20 | 52610-2133 | 21 |
| 26.6 | 24.85 | 21.2 | 19 | 52610-2033 | 20 |
| 25.6 | 23.85 | 20.2 | 18 | 52610-1933 | 19 |
| 24.6 | 22.85 | 19.2 | 17 | 52610-1833 | 18 |
| 23.6 | 21.85 | 18.2 | 16 | 52610-1733 | 17 |
| 22.6 | 20.85 | 17.2 | 15 | 52610-1633 | 16 |
| 21.6 | 19.85 | 16.2 | 14 | 52610-1533 | 15 |
| 20.6 | 18.85 | 15.2 | 13 | 52610-1433 | 14 |
| 19.6 | 17.85 | 14.2 | 12 | 52610-1333 | 13 |
| 18.6 | 16.85 | 13.2 | 11 | 52610-1233 | 12 |
| 17.6 | 15.85 | 12.2 | 10 | 52610-1133 | 11 |
| 16.6 | 14.85 | 11.2 | 9 | 52610-1033 | 10 |
| 15.6 | 13.85 | 10.2 | 8 | 52610-0933 | 9 |
| 14.6 | 12.85 | 9.2 | 7 | 52610-0833 | 8 |
| 13.6 | 11.85 | 8.2 | 6 | 52610-0733 | 7 |
| 12.6 | 10.85 | 7.2 | 5 | 52610-0633 | 6 |
| 11.6 | 9.85 | 6.2 | 4 | 52610-0533 | 5 |

EMBOSSED PACKAGE ORDER NO. 極数
オーダー番号 CKT.
CONNECTOR SERIES NO.: 52610-**22

THIS DRAWING CONTAINS INFORMATION THAT IS PROPRIETARY TO MOLEX ELECTRONIC TECHNOLOGIES, LLC AND SHOULD NOT BE USED WITHOUT WRITTEN PERMISSION

| GENERAL TOLERANCES (UNLESS SPECIFIED) | |
|--|--------|
| 10 UNDER | ± 0.2 |
| 10 OVER 30 UNDER | ± 0.25 |
| 30 OVER | ± 0.3 |
| ANGULAR ± 3 ° | |
| DRAFT WHERE APPLICABLE MUST REMAIN WITHIN DIMENSIONS | |

| DIMENSION UNITS | SCALE |
|-----------------|-------|
| mm | 8:1 |

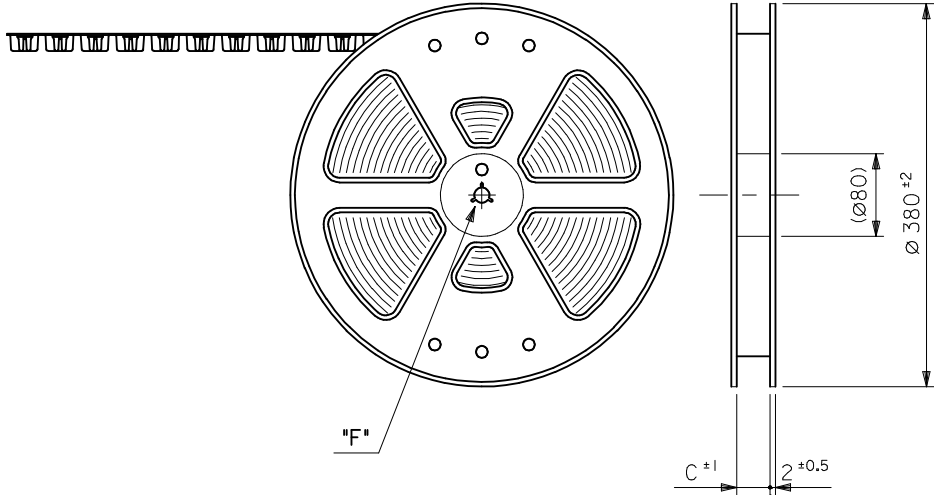
| CURRENT REV DESC: REVISED | |
|---------------------------|------------|
| EC NO: 600129 | 2018/04/11 |
| DRWN: YCHEN128 | 2018/04/12 |
| CHK'D: KTAKAHASHI | 2018/04/13 |
| APPR: NUKITA | |
| INITIAL REVISION: | |
| DRWN: NASANUMA | 2012/09/12 |
| APPR: KMORIKAWA | 2013/03/15 |

| | | | |
|-----------------------------------|----------------|--------------|----------|
| molex | | | |
| 1.0 FPC CONN ZIF S/T HOUSING ASSY | | | |
| PRODUCT CUSTOMER DRAWING | | | |
| DOCUMENT NUMBER | DOC TYPE | DOC PART | REVISION |
| SD-52610-048 | PSD | 001 | C |
| MATERIAL NUMBER | CUSTOMER | SHEET NUMBER | |
| SEE TABLE | GENERAL MARKET | 1 OF 2 | |

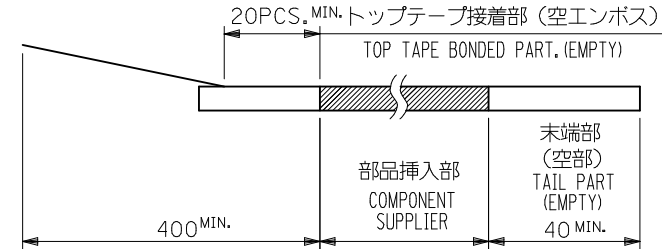
NOTES

- 52610-***22のアクチュエータはハウジング内に押し下げた状態とする。
詳細寸法については図面SD-52610-048をご参照ください。
ACTUATOR OF PART NO. 52610-***22 SHULD BE LOCKED.
RE DETAILED DIMENSIONS, SEE SD-52610-048
- 梱包数量：1000個/リール
NUMBER OF CONNECTORS : 1000PCS/REEL
- リードテープ長さ
LEAD TAPE LENGTH

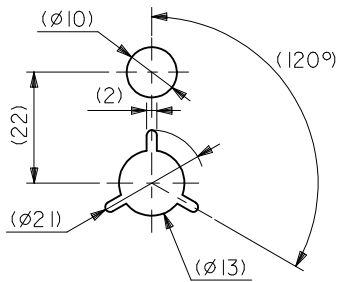
引き出し方向
PULL OUT
DIRECTION



引き出し方向
PULL OUT
DIRECTION

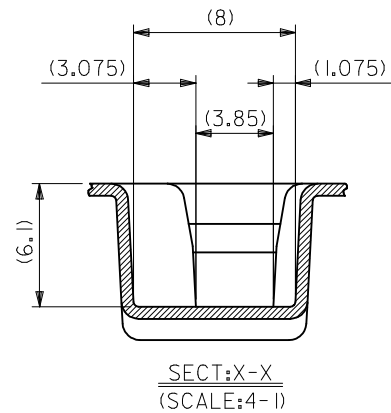
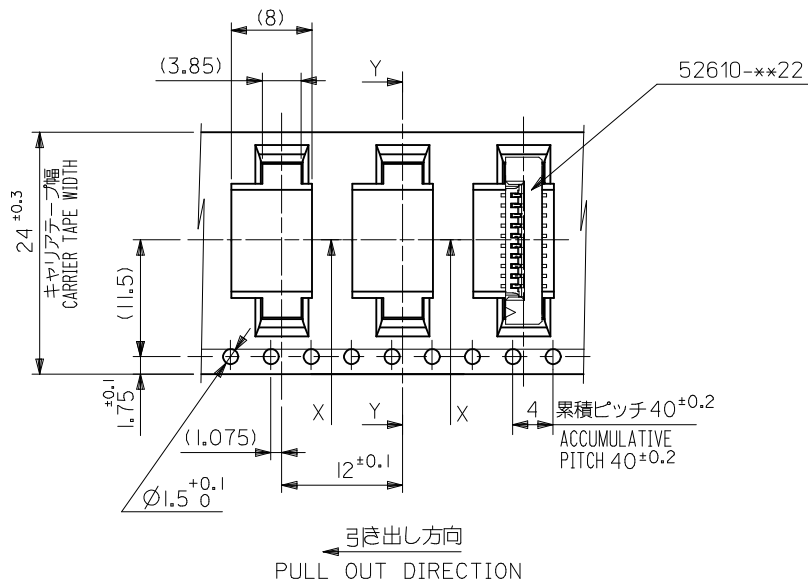
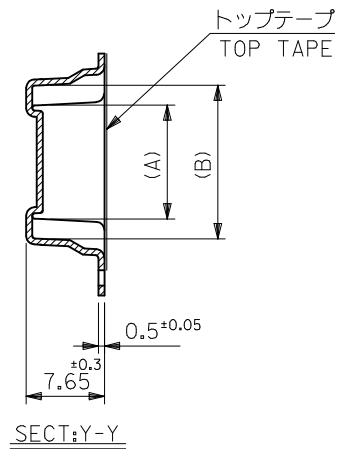


- カバーテープの剥離強度については、IEC60286-3に準拠
COVER TAPE PEEL FORCE IS DEFINED BY IEC60286-3.
- 材料(MATERIAL)
キャリアテープ (CARRIER TAPE) : ポリプロピレン (POLYPROPYLENE)
トップテープ (TOP TAPE) : PET, PE, PEF
リール(REEL) : ポリスチレン(PS) <リサイクル材を含む>
POLYSTYREN(PS) <RECYCLE MATERIAL CONTAINED>
- ELV及びRoHS適合品
ELV AND RoHS COMPLIANT



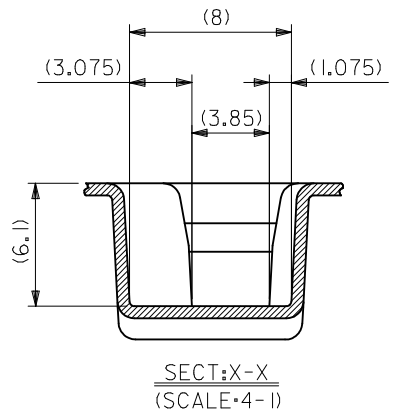
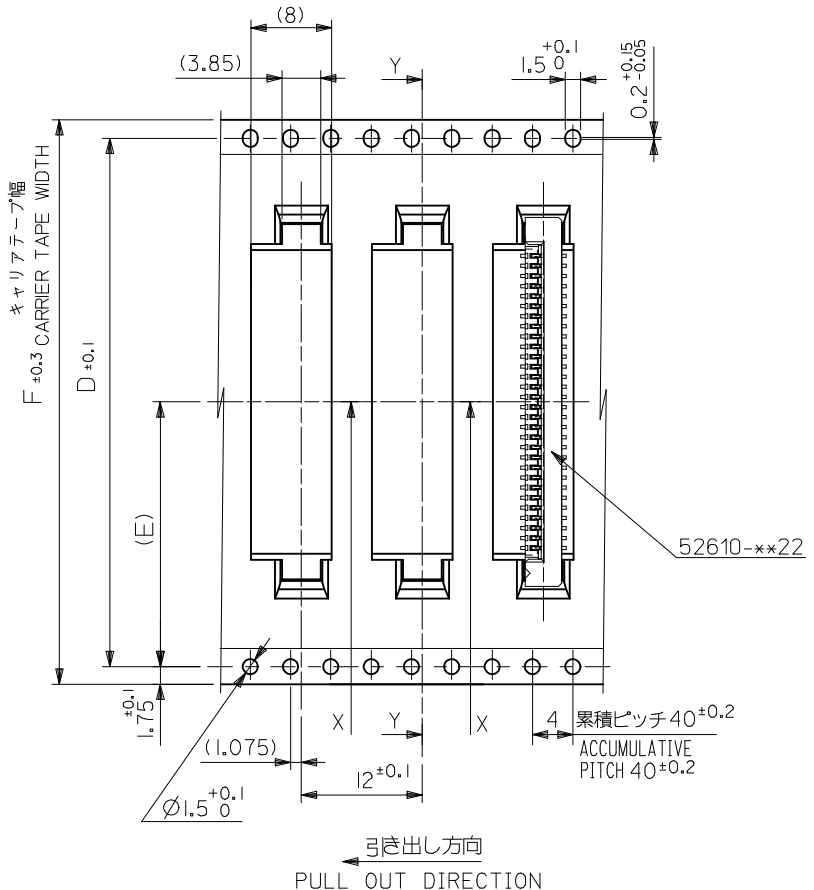
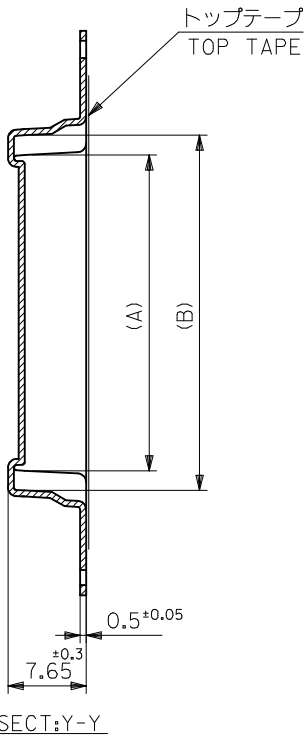
DETAIL "F"

| | | | | | | | |
|---|---------------------------------------|---------------------------|---|------------------------------|---|------------------------|------------------------|
| REVISED EC NO: J2014-0352 DRWN:NASANUMA 2013/08/26 CHKD:KTAKAHASHI 2013/08/27 APPR:YNOGAWA 2013/08/30 | GENERAL TOLERANCES (UNLESS SPECIFIED) | | DIMENSION STYLE MM ONLY | | SCALE --- | DESIGN UNITS METRIC | THIRD ANGLE PROJECTION |
| | 10 UNDER | ± --- | DRAWN BY NASANUMA | DATE 2012/09/05 | TITLE EMBOSS TAPE PACKAGED FOR 1.0 FPC CONN ZIF S/T HOUSING ASSY | | |
| | 10 OVER 30 UNDER | ± --- | CHECKED BY KTAKAHASHI | DATE 2012/09/05 | | | |
| | 30 OVER | ± --- | APPROVED BY KMORIKAWA | DATE 2013/03/15 | | | |
| ANGULAR | ± --- ° | MATERIAL NO. SEE CHART | | DOCUMENT NO. SD-52610-049 | SHEET NO. 1 OF 3 | | |
| DRAFT WHERE APPLICABLE MUST REMAIN WITHIN DIMENSIONS | | SIZE A3 | THIS DRAWING CONTAINS INFORMATION THAT IS PROPRIETARY TO MOLEX INCORPORATED AND SHOULD NOT BE USED WITHOUT WRITTEN PERMISSION | | | | |



| | | | | | | |
|----|------|------|-------|-------|------------|------------|
| 24 | 11.5 | 25.5 | 15.25 | 11.32 | 52610-1033 | 10 |
| | | | 14.25 | 10.32 | 52610-0933 | 9 |
| | | | 13.25 | 9.32 | 52610-0833 | 8 |
| | | | 12.25 | 8.32 | 52610-0733 | 7 |
| | | | 11.25 | 7.32 | 52610-0633 | 6 |
| | | | 10.25 | 6.32 | 52610-0533 | 5 |
| F | (E) | C | (B) | (A) | ENG. NO. | 種数 CKT. |

| | | | | | | | | | | |
|---|-------------------------|--|-------|----------------------------|--------------------|---|------------------------|------------------------|--|--|
| SEE SHEET 1 OF 3 EC NO: J2014-0352 DRWN:NASUNUMA 2013/08/26 CHK'D:KATAHASHI 2013/08/27 APPR:YNOGAWA 2013/08/30 | DESCRIPTION REV A | GENERAL TOLERANCES (UNLESS SPECIFIED) | | DIMENSION STYLE MM ONLY | | SCALE --- | DESIGN UNITS METRIC | THIRD ANGLE PROJECTION | | |
| | | 10 UNDER | ± --- | DRAWN BY NASUNUMA | DATE 2012/09/05 | TITLE EMBOSS TAPE PACKAGED FOR 1.0 FPC CONN ZIF S/T HOUSING ASSY | | | | |
| | | 10 OVER 30 UNDER | ± --- | CHECKED BY KATAHASHI | DATE 2012/09/05 | | | | | |
| | | 30 OVER | ± --- | APPROVED BY KMORIKAWA | DATE 2013/03/15 | | | | | |
| ANGULAR ± --- ° | | DRAFT WHERE APPLICABLE MUST REMAIN WITHIN DIMENSIONS | | MATERIAL NO. SEE CHART | | DOCUMENT NO. SD-52610-049 | | SHEET NO. 2 OF 3 | | |
| THIS DRAWING CONTAINS INFORMATION THAT IS PROPRIETARY TO MOLEX INCORPORATED AND SHOULD NOT BE USED WITHOUT WRITTEN PERMISSION | | | | | | | | | | |



| | | | | | | | |
|----|------|------|------|-------|-------|------------|------------|
| 56 | 26.2 | 52.4 | 57.5 | 35.25 | 31.32 | 52610-3033 | 30 |
| | | | | 33.25 | 29.32 | 52610-2833 | 28 |
| 44 | 20.2 | 40.4 | 46.5 | 31.25 | 27.32 | 52610-2633 | 26 |
| | | | | 30.25 | 26.32 | 52610-2533 | 25 |
| | | | | 29.25 | 25.32 | 52610-2433 | 24 |
| | | | | 28.25 | 24.32 | 52610-2333 | 23 |
| | | | | 27.25 | 23.32 | 52610-2233 | 22 |
| | | | | 26.25 | 22.32 | 52610-2133 | 21 |
| | | | | 25.25 | 21.32 | 52610-2033 | 20 |
| 32 | 14.2 | 28.4 | 33.5 | 24.25 | 20.32 | 52610-1933 | 19 |
| | | | | 23.25 | 19.32 | 52610-1833 | 18 |
| | | | | 22.25 | 18.32 | 52610-1733 | 17 |
| | | | | 21.25 | 17.32 | 52610-1633 | 16 |
| | | | | 20.25 | 16.32 | 52610-1533 | 15 |
| | | | | 19.25 | 15.32 | 52610-1433 | 14 |
| | | | | 18.25 | 14.32 | 52610-1333 | 13 |
| | | | | 17.25 | 13.32 | 52610-1233 | 12 |
| | | | | 16.25 | 12.32 | 52610-1133 | 11 |
| F | (E) | D | C | (B) | (A) | ENG. NO. | 極数 CKT. |

| | | | | | | | |
|--|--|--------------|---|--------------------|---|------------------------|------------------------|
| SEE SHEET 1 OF 3 EC NO: J2014-0352 DRWN:NASANUMA 2013/08/26 CHKD:KTAKAHASHI 2013/08/27 APPR:YNOGAWA 2013/08/30 | GENERAL TOLERANCES (UNLESS SPECIFIED) | | DIMENSION STYLE MM ONLY | | SCALE --- | DESIGN UNITS METRIC | THIRD ANGLE PROJECTION |
| | 10 UNDER | ±--- | DRAWN BY NASANUMA | DATE 2012/09/05 | TITLE EMBOSSSED TAPE PACKAGED FOR 1.0 FPC CONN ZIF S/T HOUSING ASSY molex DOCUMENT NO. SD-52610-049 SHEET NO. 3 OF 3 | | |
| | 10 OVER 30 UNDER | ±--- | CHECKED BY KTAKAHASHI | DATE 2012/09/05 | | | |
| | 30 OVER | ±--- | APPROVED BY KMORIKAWA | DATE 2013/03/15 | | | |
| ANGULAR | ±--- ° | MATERIAL NO. | SEE CHART | | | | |
| A | DRAFT WHERE APPLICABLE MUST REMAIN WITHIN DIMENSIONS | | THIS DRAWING CONTAINS INFORMATION THAT IS PROPRIETARY TO MOLEX INCORPORATED AND SHOULD NOT BE USED WITHOUT WRITTEN PERMISSION | | | | |