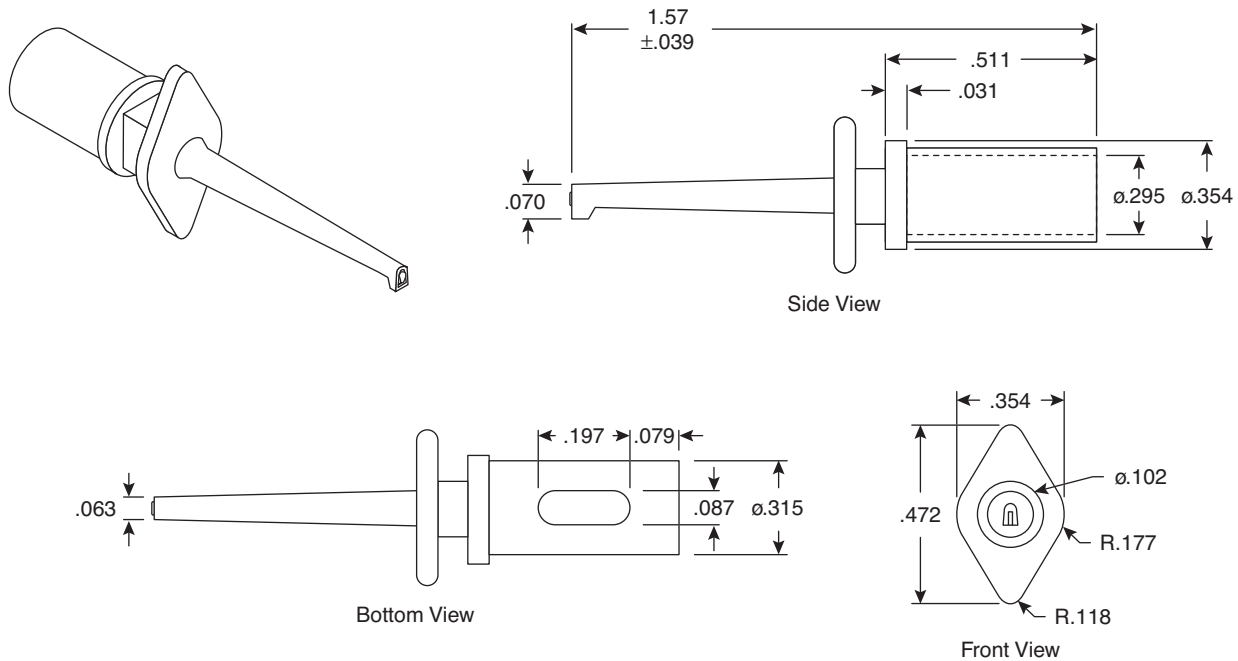


IC Test Clips

13IC307, 13IC308, 13IC309, 13IC310, 13IC311



IC Test Clips



Dimensions: In.

SPECIFICATIONS	
Rating:	.3A/50VAC
Insulation Resistance:	100M Ω min. @ 500VDC
Voltage Breakdown:	500VAC min.
Material:	ABS Resin
Colors:	13IC307- Red, 13IC308- Black, 13IC309- Blue, 13IC310- Green, 13IC311- Yellow

Date Last Revised: 10-24-05

Available from Mouser Electronics
1-800-346-6873
www.mouser.com

KC- 300824

13IC307, 13IC308, 13IC309, 13IC310, 13IC311

Mouser Electronics

Authorized Distributor

Click to View Pricing, Inventory, Delivery & Lifecycle Information:

[Kobiconn:](#)

[13IC311](#) [13IC308](#) [13IC307](#) [13IC310](#) [13IC309](#)