

THIS DRAWING IS UNPUBLISHED.

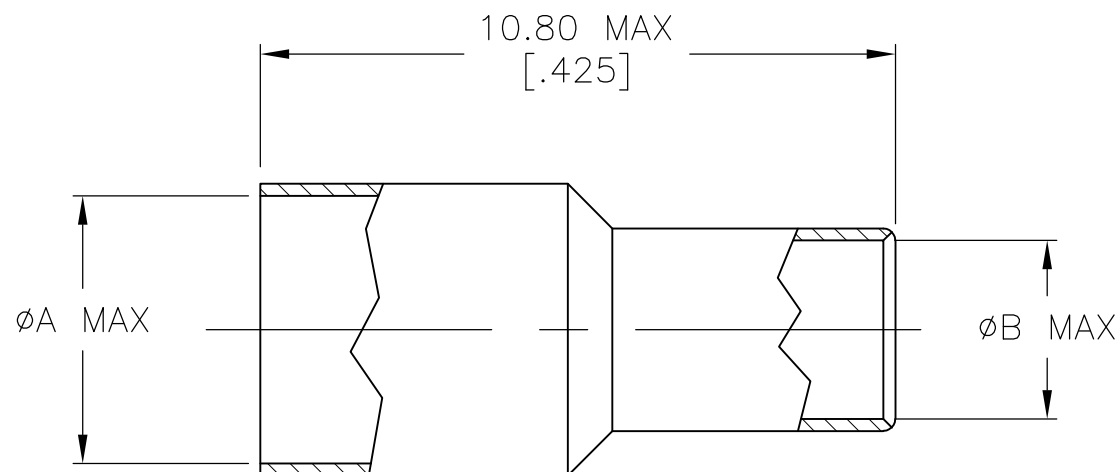
RELEASED FOR PUBLICATION

REVISIONS

© COPYRIGHT - By -

ALL RIGHTS RESERVED.

| P | LTR | DESCRIPTION | DATE | DWN | APVD |
|---|-----|---------------------------|-----------|-----|------|
| | T5 | REVISED PER ECR-17-009545 | 08AUG2017 | AS | RS |



- 1 SILVER PLATE PER QQ-S-365
5.08 μm [.000200] MINIMUM THICK.
- 2 TIN-LEAD PLATE PER ASTM-B-545
2.54 μm [.000100] MINIMUM THICK,
WITH SUPPLEMENTAL ANTI FRETTING LUBRICANT.
- 3 GOLD PLATE PER MIL-G-45204
0.76 μm [.000030] MINIMUM THICK.
- 4 MATTE TIN PLATE PER ASTM-B-545
2.54 μm [.000100] MINIMUM THICK,
WITH SUPPLEMENTAL ANTI FRETTING LUBRICANT.
- 5 BRIGHT TIN PLATE PER ASTM-B-545
2.54 μm [.000100] MINIMUM THICK,
WITH SUPPLEMENTAL ANTI FRETTING LUBRICANT.
- 6 328666 REPLACED BY 9-328666-3

| | | | | |
|----------|-------------|-------------|--------|-------------|
| | 3.05 [.120] | 4.55 [.179] | 5 | 9-328666-4 |
| | 3.05 [.120] | 3.86 [.152] | 1 | 9-328666-3 |
| | 3.73 [.147] | 4.55 [.179] | 4 | 9-328666-2 |
| | 3.05 [.120] | 3.86 [.152] | 4 | 9-328666-1 |
| | 3.05 [.120] | 4.55 [.179] | 4 | 9-328666-0 |
| | 3.40 [.134] | 4.55 [.179] | 2 | 3-328666-9 |
| | 5.03 [.198] | 5.51 [.217] | 2 | 3-328666-6 |
| OBSOLETE | 3.73 [.147] | 4.55 [.179] | 2 | 3-328666-3 |
| | 3.05 [.120] | 3.86 [.152] | 2 | 2-328666-7 |
| | 3.05 [.120] | 4.55 [.179] | 3 | 2-328666-6 |
| OBSOLETE | 3.05 [.120] | 4.55 [.179] | 2 | 2-328666-5 |
| | 3.05 [.120] | 4.55 [.179] | 1 | 2-328666-3 |
| OBSOLETE | 3.05 [.120] | 3.86 [.152] | 1 | 328666 |
| | B | A | FINISH | PART NUMBER |

| | | | | | | | | | | | | | | | | | |
|--|-----|------------------------------|----------------------------|--------------|-----------------|-------|-----|-------|-----|-------|-----|--------|-----|------------------|------|-----------|------------|
| THIS DRAWING IS A CONTROLLED DOCUMENT. | | DWN J. LIPPERT 28MAR01 | STE TE Connectivity | | | | | | | | | | | | | | |
| | | CHK R.E.RUTH 7/27/90 | | | | | | | | | | | | | | | |
| DIMENSIONS: mm [INCHES] | | APVD M. SNEED 7/27/90 | NAME | | | | | | | | | | | | | | |
| TOLERANCES UNLESS OTHERWISE SPECIFIED: | | PRODUCT SPEC | FERRULE | | | | | | | | | | | | | | |
| <table border="0"> <tr><td>0 PLC</td><td>± -</td></tr> <tr><td>1 PLC</td><td>± -</td></tr> <tr><td>2 PLC</td><td>± -</td></tr> <tr><td>3 PLC</td><td>± -</td></tr> <tr><td>4 PLC</td><td>± -</td></tr> <tr><td>ANGLES</td><td>± -</td></tr> </table> | | 0 PLC | ± - | 1 PLC | ± - | 2 PLC | ± - | 3 PLC | ± - | 4 PLC | ± - | ANGLES | ± - | APPLICATION SPEC | SIZE | CAGE CODE | DRAWING NO |
| 0 PLC | ± - | | | | | | | | | | | | | | | | |
| 1 PLC | ± - | | | | | | | | | | | | | | | | |
| 2 PLC | ± - | | | | | | | | | | | | | | | | |
| 3 PLC | ± - | | | | | | | | | | | | | | | | |
| 4 PLC | ± - | | | | | | | | | | | | | | | | |
| ANGLES | ± - | | | | | | | | | | | | | | | | |
| MATERIAL COPPER ALLOY | | FINISH SEE TABLE | WEIGHT 0.000000 | A300779 | C-328666 | | | | | | | | | | | | |
| CUSTOMER DRAWING | | | RESTRICTED TO | SCALE 1:1 | SHEET 1 OF 1 | | | | | | | | | | | | |
| | | | REV T5 | | | | | | | | | | | | | | |

Mouser Electronics

Authorized Distributor

Click to View Pricing, Inventory, Delivery & Lifecycle Information:

[TE Connectivity:](#)

[328666](#)