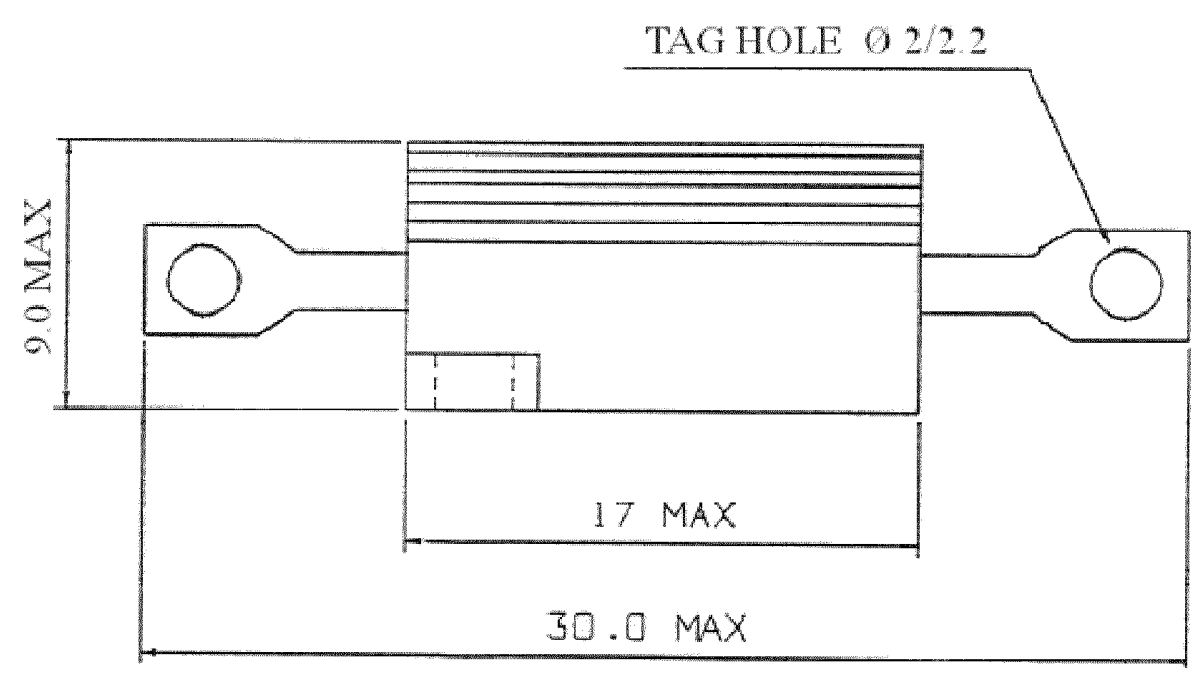
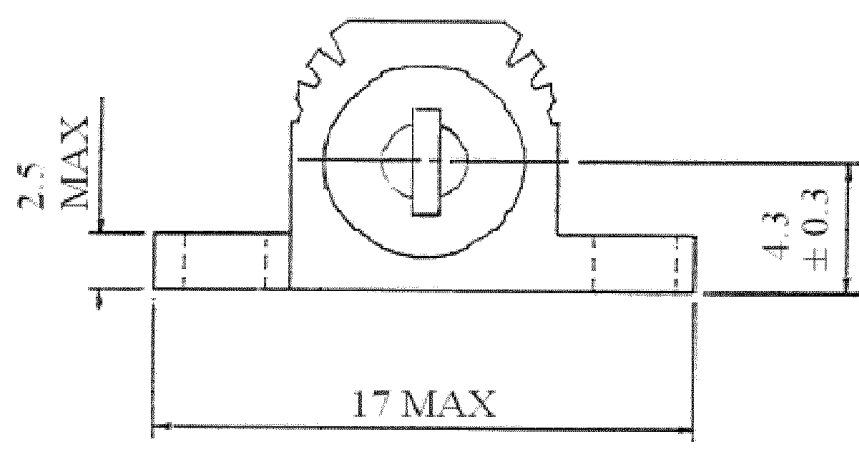
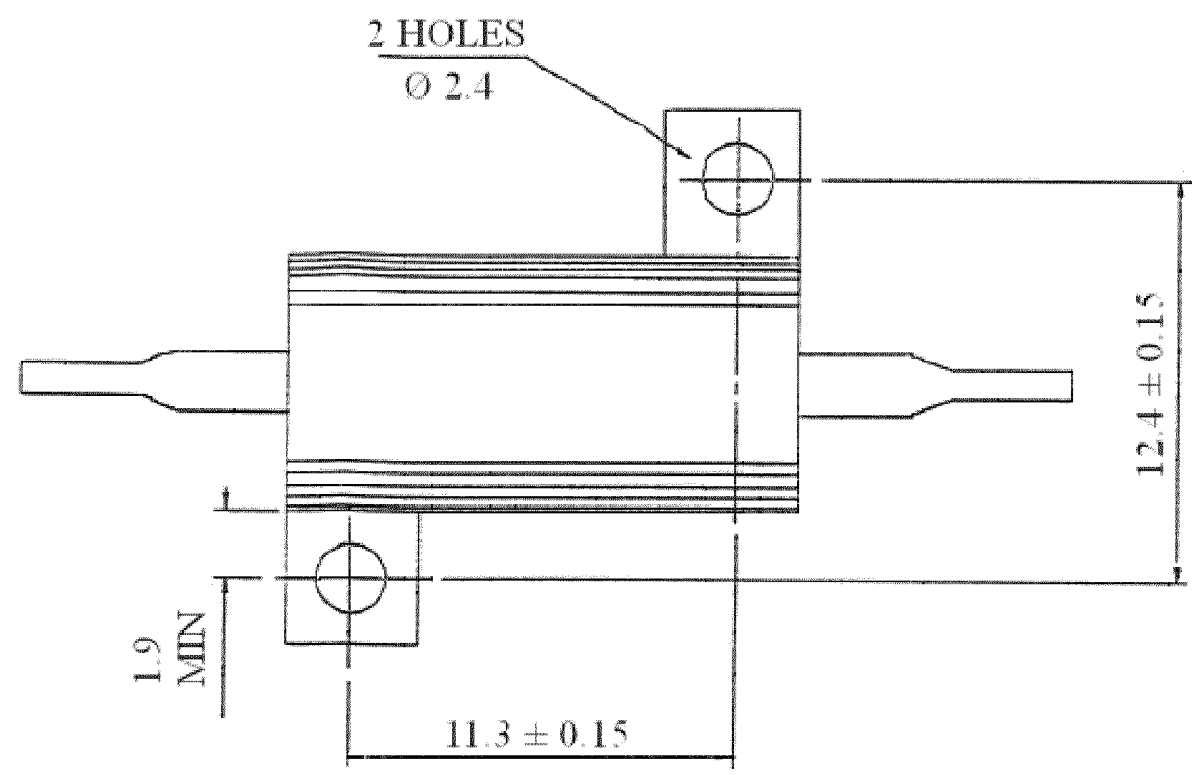


THIS DRAWING IS UNPUBLISHED. RELEASED FOR PUBLICATION
 © COPYRIGHT - By - ALL RIGHTS RESERVED.

LOC	DIST	REVISIONS					
E	B	P	LTR	DESCRIPTION	DATE	DWN	APVD
			BA1	REVISED PER ECO-11-005150	21MAR11	RK	HMR

Technical Specification

Dissipation at 25°C 10 Watts Mounted on std heatsink
 BS Ohmic Range R01 to 10K
 Stability $\Delta R \leq 1\%$ per 1000hrs
 Isolation Voltage 1400V DC/AC pk
 Max Working Voltage 160 V DC/AC rms
 Temp Coefficient $<100R \pm 50 \text{ ppm/}^\circ\text{C}$
 $>100R \pm 30 \text{ ppm/}^\circ\text{C}$
 Climatic Category 55/200/56



RoHS Compliant

FOR A SPECIFIC PN FOR A RESISTANCE VALUE AND TOLERANCE, PLEASE REFER TO DMF.

THIS DRAWING IS A CONTROLLED DOCUMENT.		DWN	R BLANCH	19SEPT06	STE TE Connectivity		
DIMENSIONS: INCHES		CHK	J CATCHPOLE	19SEPT06			
TOLERANCES UNLESS OTHERWISE SPECIFIED:		APVD	J CATCHPOLE	19SEPT06	THS10 METAL CLAD RESISTOR		
0 PLC	± 0.5	PRODUCT SPEC		SIZE			RESTRICTED TO
1 PLC	± 0.2	APPLICATION SPEC		CAGE CODE	DRAWING NO	-	
2 PLC	± 0.1	-		A3	00779	C-1879073	
3 PLC	± -	-		CUSTOMER DRAWING			SCALE
4 PLC	± -	-		-			NTS
ANGLES	± 5	-		SHEET			1 OF 1
MATERIAL	-	FINISH		-		REV	
-		-		-		BA1	

Mouser Electronics

Authorized Distributor

Click to View Pricing, Inventory, Delivery & Lifecycle Information:

[TE Connectivity:](#)

[THS10R47J](#)