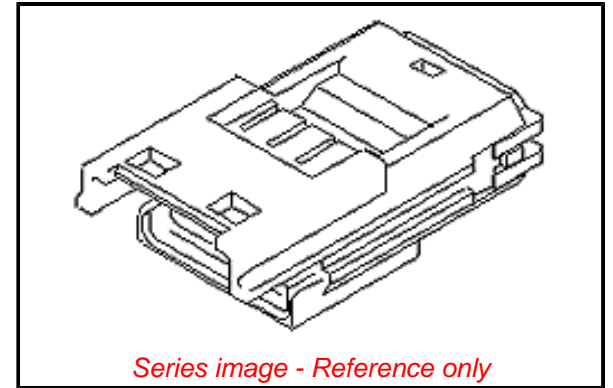


PLEASE CHECK WWW.MOLEX.COM FOR LATEST PART INFORMATION

Part Number: **0521160240**
Status: **Active**
Overview: Mizu-P25 Miniature Waterproof Connectors
Description: Mizu-P25 5.00mm Pitch Waterproof Wire-to-Wire Plug Housing , 2 Circuits, White

Documents:

3D Model	Application Specification AS-52117-001-JP-001 (PDF)
Drawing (PDF)	Packaging Specification 521160000-P00 (PDF)
Product Specification PS-52116-001-001 (PDF)	RoHS Certificate of Compliance (PDF)
Application Specification AS-52117-001-001 (PDF)	



Agency Certification

UL E29179

General

Product Family	Crimp Housings
Series	52116
Application	Signal, Wire-to-Wire
Application Tooling Part Link	57130-6000
Application Tooling Part Link	62202-4400
Overview	Mizu-P25 Miniature Waterproof Connectors
Product Name	Mizu-P25 Waterproof, Splash Proof
UPC	800754368476

Physical

Circuits (maximum)	2
Color - Resin	White
Gender	Plug
Glow-Wire Capable	No
Lock to Mating Part	Yes
Material - Resin	Polyester
Net Weight	1543.500/mg
Number of Rows	1
Packaging Type	Tray
Panel Mount	No
Pitch - Mating Interface	5.00mm
Stackable	No
Temperature Range - Operating	-40° to +105°C

Electrical

Current - Maximum per Contact 3.0A

Solder Process Data

Lead-free Process Capability N/A

Material Info

Reference - Drawing Numbers

Application Specification	AS-52117-001-001, AS-52117-001-JP-001
Packaging Specification	521160000-P00
Product Specification	PS-52116-001-001
Sales Drawing	SD-52116-001-001

EU ELV

Compliant

EU RoHS

Compliant

REACH SVHC

Not Contained Per -
ED/61/2018 (27 June
2018)

Halogen-Free

Status

Not Low-Halogen

For more information, please visit [Contact US](#)

China ROHS

ELV

RoHS Phthalates

China RoHS

Green Image

Compliant

Not Contained

Search Parts in this Series

52116 Series

Mates With

52117 Mizu-P25 2.50mm Pitch Waterproof
Wire-to-Wire Receptacle Housing

Use With

50038 Mizu-P25 Crimp Terminal

Mouser Electronics

Authorized Distributor

Click to View Pricing, Inventory, Delivery & Lifecycle Information:

[Molex:](#)

[52116-0240](#)