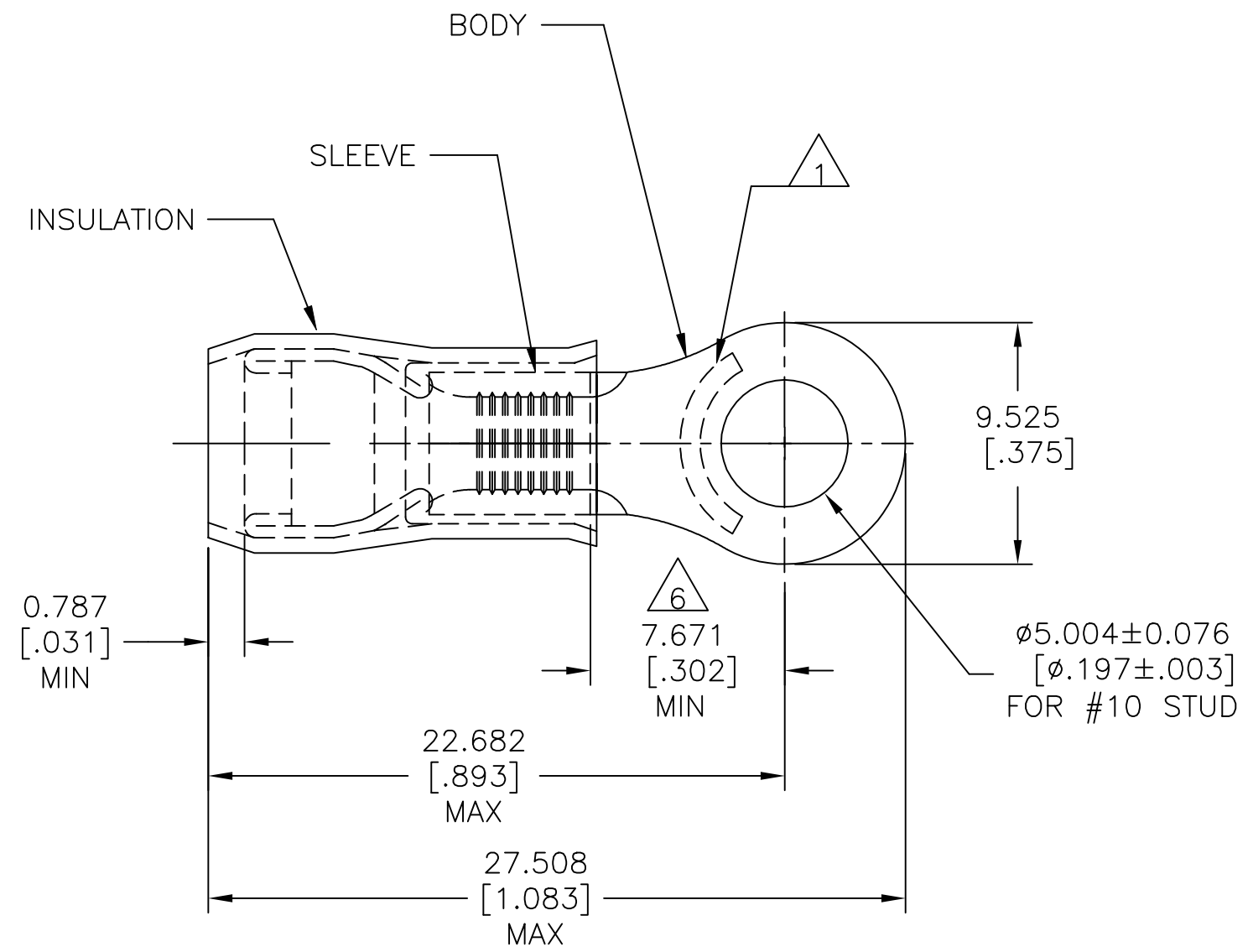


REVISIONS					
P	LTR	DESCRIPTION	DATE	DWN	APVD
	S3	REVISED PER ECO-16-004986	20JUN2016	NK	DR
	S4	REVISED PER ECO-17-007400	01DEC2017	RS	DR

AMP WIRE RANGE	E13288 Listed
12-10 AWG SOLID OR STRANDED	12-10 AWG SOLID OR STRANDED
LR7189 Certified	
12-10 AWG SOLID OR STRANDED	

- STAMP "AMP 12-10*" APPROX AS SHOWN.
- WIRE INSULATION: $\phi 3.810-6.350[\phi .150-.250]$.
- BODY MATERIAL THK: $0.991\pm 0.051[.039\pm .002]$.
- BODY & SLEEVE: TIN PLATE $0.00254[.000100]$ MIN EXT THK PER ASTM B545.
- BODY & SLEEVE- CU PER ASTM B152
INSULATION - NYLON PER ASTM D4066
COLOR - YELLOW.
- APPLIES FROM EDGE OF METAL WIRE BARREL
TO CENTER OF STUD HOLE.
- MEETS MS25036-112, CLASS 1 & 2.
- MEETS MS25036-112, CLASS 2.

	100	LOOSE PIECE, BOX	8-35109-1
	2500	ON TAPE & REEL	2-35109-1
	500	LOOSE PIECE	35109
	QTY	PACKAGE TYPE	PART NO



AMP INCORPORATED
 CUSTOMER SERVICE SYSTEMS

FOR ADDITIONAL PRODUCT INFORMATION OR COPIES OF DRAWINGS AND TECHNICAL DOCUMENTS	PRODUCT INFORMATION CENTER 1-800-522-6752
FOR APPLICATION TOOLING INFORMATION	TOOLING ASSISTANCE CENTER 1-800-722-1111
FOR ORDER ENTRY	1-800-526-5142

MAX RECOMMENDED OPERATING TEMPERATURE: 105°C[221°F] MAX
VOLTAGE RATING: 300 VOLT MAX
CIRCULAR MIL AREA: 2.62-6.64mm ² [5,180-13,100] STRANDED OR SOLID

THIS DRAWING IS A CONTROLLED DOCUMENT.	
DIMENSIONS: mm [INCHES]	TOLERANCES UNLESS OTHERWISE SPECIFIED:
	0 PLC ± -
	1 PLC ± -
	2 PLC ± -
	3 PLC ± 0.127[.005]
	4 PLC ± -
	ANGLES ± -
MATERIAL	FINISH

DWN JR RUTH 16DEC09	TE Connectivity			
CHK T MICHIELUTTI 16DEC09				
APVD T MICHIELUTTI 16DEC09	NAME TERMINAL, RING TONGUE, PIDG WIRE SIZE: 12-10 AWG			
PRODUCT SPEC UL486A-B	SIZE A3	CAGE CODE 00779	DRAWING NO C-35109	RESTRICTED TO -
APPLICATION SPEC 114-2157	SCALE 4:1			SHEET 1 OF 1
WEIGHT -	CUSTOMER DRAWING			REV S4

Mouser Electronics

Authorized Distributor

Click to View Pricing, Inventory, Delivery & Lifecycle Information:

[TE Connectivity:](#)

[8-35109-1](#)