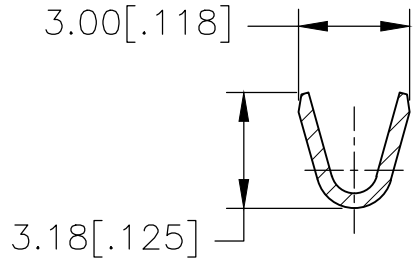
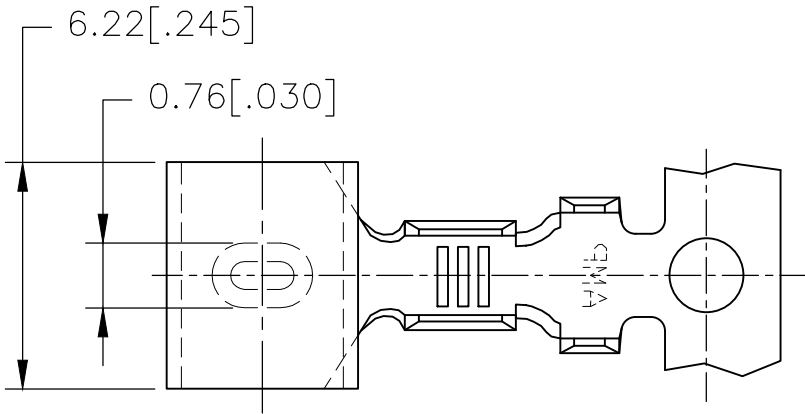
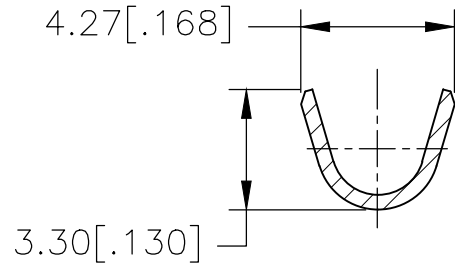
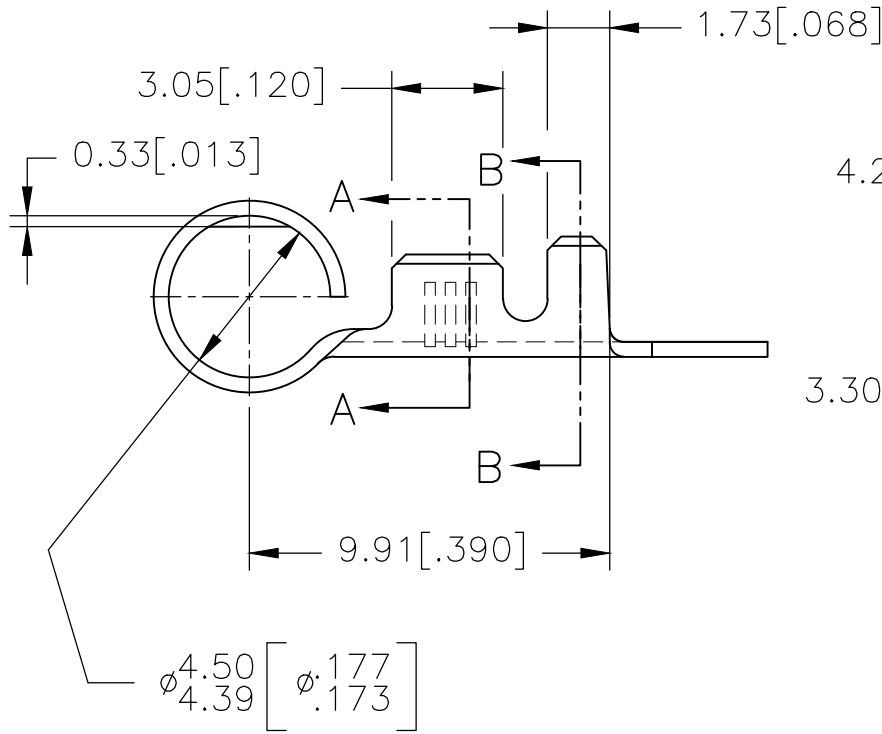


REVISIONS					
P	LTR	DESCRIPTION	DATE	DWN	APVD
	A1	REVISED PER ECR-18-002683	23FEB2018	FV	TD



SECTION A-A



SECTION B-B

THIS DRAWING IS UNPUBLISHED. ALL RIGHTS RESERVED. RELEASED FOR PUBLICATION

STOCK THK.	0.41 [.016] THK.	
WIRE RANGE	INSUL RANGE	
20-16	1.5-2.13 [.059-.084]	

TIN PLATE	PHOS. BRONZE	154740-2
NONE	PHOS. BRONZE	154740-1
FINISH	MATERIAL	PART NUMBER

DIMENSIONS: mm [INCHES]	DWN	RAVI S	04JAN2017
	CHK	LI DAISY	04JAN2017
TOLERANCES UNLESS OTHERWISE SPECIFIED:	APVD	DING TIM	04JAN2017
	PRODUCT SPEC	-	
0 PLC ± - 1 PLC ± - 2 PLC ± 0.40 [.015] 3 PLC ± 0.40 [.015] 4 PLC ± - ANGLES ± -	APPLICATION SPEC	-	
	WEIGHT	-	

MATERIAL	SEE TABLE	FINISH	SEE TABLE
		TE Connectivity	
		NAME .177 (4.50) DIA. RIGHT ANGLE PIN RECEPTACLE	
SIZE	CAGE CODE	DRAWING NO	RESTRICTED TO
A4	00779	C-154740	-
CUSTOMER DRAWING		SCALE	4:1
		SHEET	1 OF 1
		REV	A1

Mouser Electronics

Authorized Distributor

Click to View Pricing, Inventory, Delivery & Lifecycle Information:

[TE Connectivity:](#)

[154740-1](#)