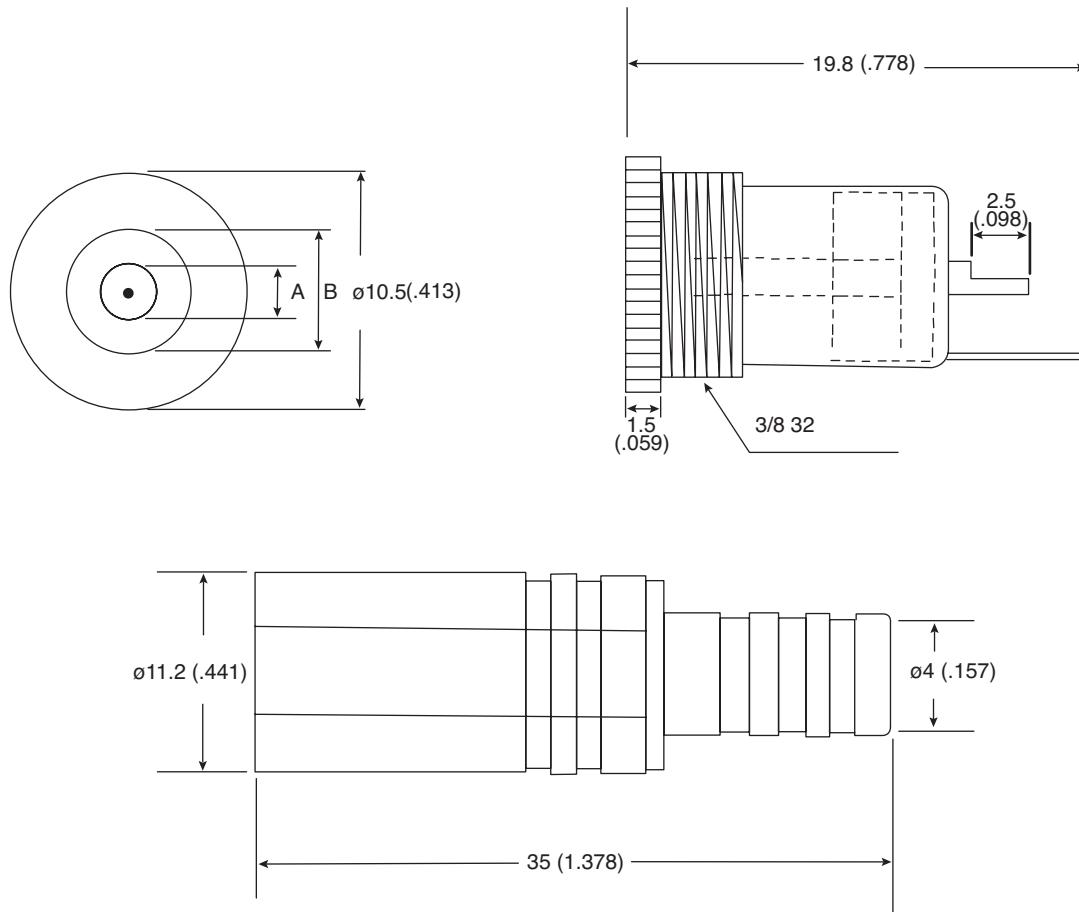


In-Line DC Jack

163-0302, 163-0303



In-Line DC Jack



Dimensions: In.

ELECTRICAL SPECIFICATIONS	
Tolerance:	± 0.05
Voltage Rating:	DC 13.5V
Current Rating:	2A

MECHANICAL SPECIFICATIONS	
Body:	BSBM Ni
Spring Material:	BSBM Ni
Insulator:	Derlin
Contact Pin:	BSBM Ni
Cap:	ABS

Part No.	A	B	Type
163-0302	$\phi 1.95 (.077)$	$\phi 5.5 (.217)$	2.1mm
163-0303	$\phi 2.35 (0.93)$	$\phi 5.5 (.217)$	2.5mm

Date Last Revised: 11-27-06

Available from Mouser Electronics
1-800-346-6873
www.mouser.com

KC-300094

163-0302, 163-0303

Mouser Electronics

Authorized Distributor

Click to View Pricing, Inventory, Delivery & Lifecycle Information:

[Kobiconn:](#)

[163-0302](#) [163-0303](#)