

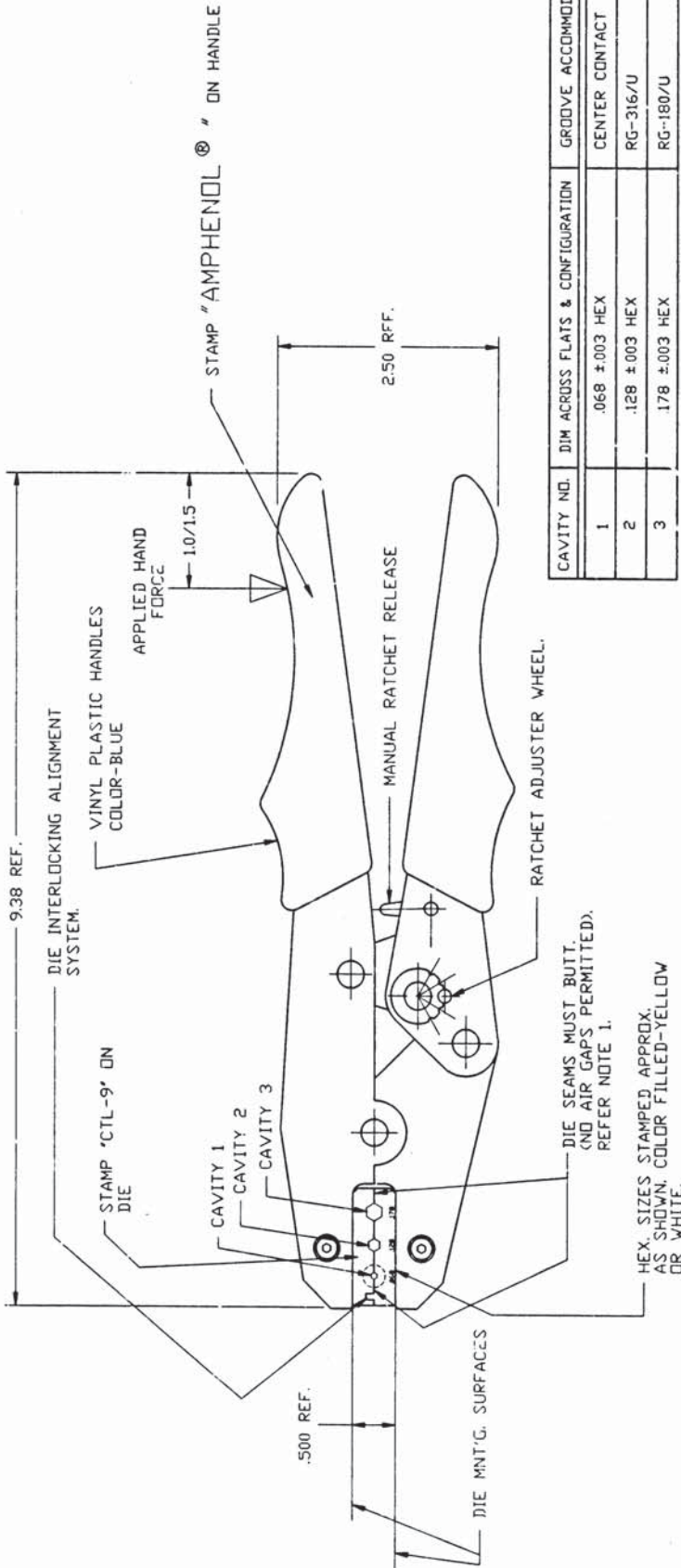
CTL-9

REVISIONS

DRAWING NO.	DESCRIPTION	DATE	ECO	APPR
THIRD ANGLE PROJ.	OFFICIAL ENG. RELEASE TO MFG.	3-10-95	40516	PB/EA
REV	A			

NOTES:

- INITIAL TOOL SETTING REQUIREMENTS:
WITH DIES FIRMLY AFFIXED IN TOOL ON THE DIE MNT'G. SURFACES, CLOSE THE TOOL FULLY UNTIL THE RATCHET RELEASES WITH 25-35 LBS. HAND FORCE. THE DIES MUST BE "BUTTED" (TOUCHING BOTH FRONT & REAR SURFACES). THE RATCHET ADJUSTER WHEEL SHOULD BE POSITIONED IN THE CENTER INDENT (& ONE INDENT POSITION).
- NOTE: LABEL 999-419 MUST BE AFFIXED TO TOOL CONTAINER BOX.
- DO NOT SCALE THIS DRAWING.
- REMOVE ALL BURRS, BREAK SHARP EDGES AND CORNERS
- .005 MAXIMUM, UNLESS OTHERWISE SPECIFIED.
- UNLESS OTHERWISE SPECIFIED, ALL DIMENSIONS ARE AFTER PLATING.



CAVITY NO.	DIM ACROSS FLATS & CONFIGURATION	GROOVE ACCOMMODATIONS
1	.068 ±.003 HEX	CENTER CONTACT
2	.128 ±.003 HEX	RG-316/U
3	.178 ±.003 HEX	RG-180/U

DRAWN P. BRENZEL		DATE 3-7-95	TITLE QUICK CRIMP TOOL FOR SUB-MIN CRIMP CONNECTORS	
ENGINEER <i>R. Williams</i>		DATE 10/16/95	Amphenol Amphenol Corporation RF/Microwave Operations Danbury, Conn. U.S.A. 06810	
APPROVED		DATE	SCALE: 75:1	SHEET 1 OF 1
CAD FILE F:\DEPT611\TOOLS\CTL-9		CODE ID 74868	DWG SIZE B	DRAWING NO. CTL-9
MATERIAL AS PURCHASED		REFERENCE EAR 111-9164642	ISSUE A	
<p>UNLESS OTHERWISE SPECIFIED, DIMENSIONS ARE IN INCHES AND TOLERANCES ARE: HOLE DIA. ±.015 (0.381 mm) PLATE THICKNESS ±.005 (0.127 mm) ANGLES ± 1°</p> <p>NOTICE - These drawings, specifications, or other data (1) are, and remain the property of Amphenol Corp. (2) must be returned upon request; and (3) are confidential and not to be disclosed to any person other than those to whom they are intended. (4) are the property of Amphenol Corp. or its subsidiaries, or other data by Amphenol Corp. or its subsidiaries. These drawings, specifications, or other data may be used for manufacturing purposes only. Amphenol Corp. is not to be regarded by implication or otherwise in any manner licensing, granting, or authorizing any patent rights or other intellectual property rights in any process or design, patented or otherwise, that may in any way be related to or disclosed by said drawings, specifications, or other data.</p>				