

PRODUCT NUMBER
95293-XXX-XXLF

- RoHS COMPATIBLE, SEE NOTE 6
- TOTAL NB OF POSITIONS, 3 TO 17
- PACKAGING TYPE, NOTE 3

PLATING

- 1= 0.76µm GOLD/GXT ON CONTACT AREA, 2µm MATTE TIN MIN ON TAILS
- 4= 2.0µm MATTE TIN MIN FULL PLATED
- 5= 0.25µm GOLD/GXT ON CONTACT AREA, 2µm MATTE TIN MIN ON TAILS
- 8= 0.38µm GOLD/GXT ON CONTACT AREA, 2µm MATTE TIN MIN ON TAILS
- 1.27µm NICKEL MIN UNDERLAYER FOR ALL PLATING VERSIONS

CATALOGUE RANGE	
PIN STYLE	MATING
01	5.84
02	8.08

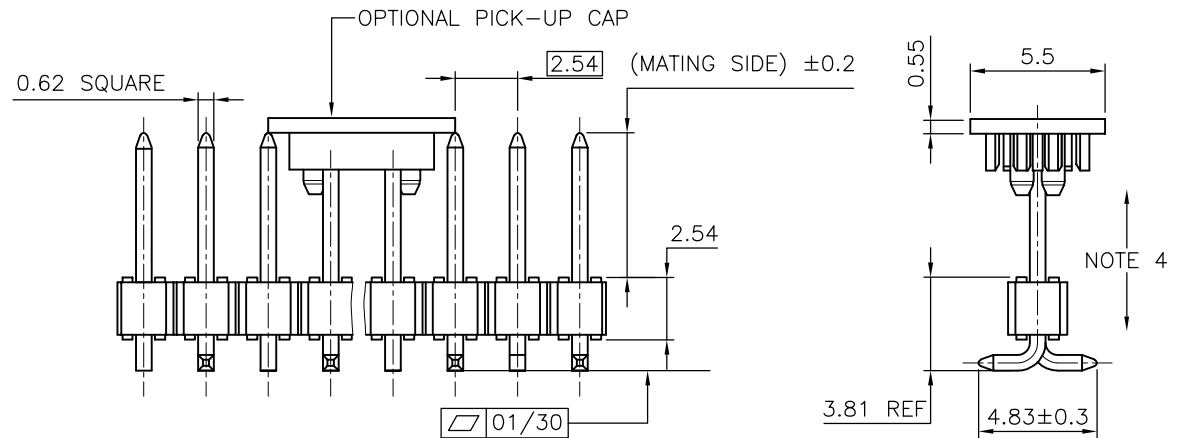
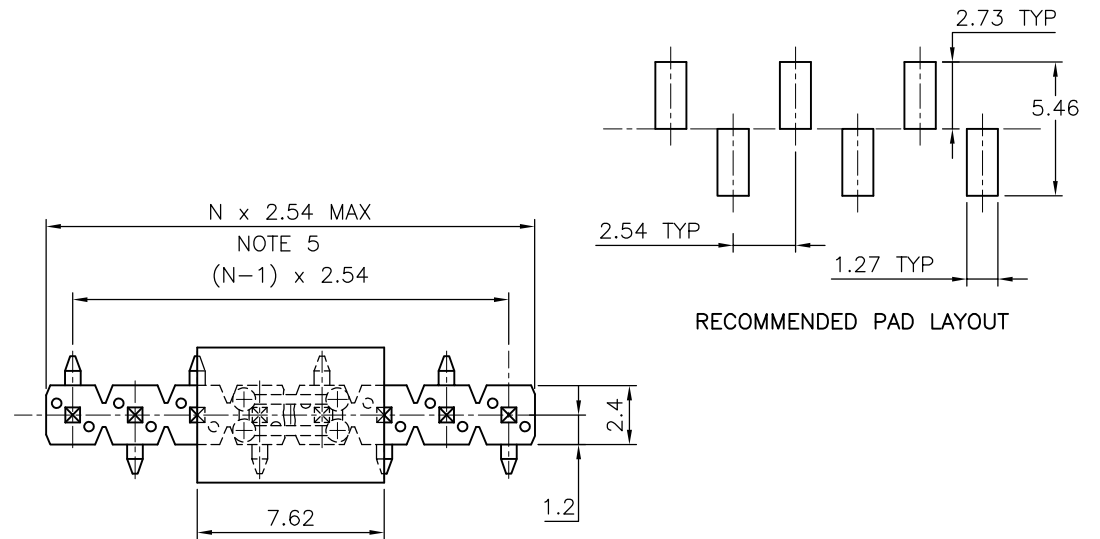
APPLICATION SPECIFIC	
PIN STYLE	MATING
05	9.60
06	3.00
07	11.20

NOTES:

- 1 - HOUSING MAT'L : HIGH TEMPERATURE THERMOPLASTIC. UL94V-0 COLOR: BLACK
- 2 - PIN MATERIAL : PHOSPHOR BRONZE
- 3 - PACKAGING
 - = POLY BAGS
 - B = TUBE + CAP
 - A = TAPE & REEL + PICK-UP CAP, AS AVAILABLE
 - K = TAPE & REEL WITHOUT PICK-UP CAP, AS AVAILABLE
- 4 - 9N MIN RETENTION IN EITHER DIRECTION
- 5 - TO DETERMINE DIMENSIONS :
N = NUMBER OF POSITIONS
EXAMPLE : 8 POS N x 2.54 = 20.32mm

6. RoHS COMPATIBLE PRODUCT SPECIFICATIONS

- a - PLATING:
 - "LF" MEANS THE PRODUCT IS LEAD-FREE, 2µm MINIMUM MATTE TIN OVER 1.27µm MINIMUM NICKEL UNDERPLATE.
- b - MANUFACTURING PROCESS COMPATIBILITY
 - THE HOUSING WILL WITHSTAND EXPOSURE TO 260°C PEAK TEMPERATURE FOR 30 SECONDES IN A CONVECTION, INFRA-RED OR VAPOR PHASE REFLOW OVEN.
- c - LABELING:
 - MEETS PACKAGING SPECS AS PER GS-14-920
- d - LEGAL STATEMENT: SEE GS-47-0004



mat'l. code		surface		tolerance		projection		product family	
SEE NOTES		ISO 1302		ISO 406 ISO 1101		mm		BERGSTIK	
ltr	ecn no	dr	date	tolerances unless otherwise specified		mm		title	
P	B-18983	LMU	14.10.03	angles	linear	x.xx ±0.3		UNSHR.HEADER	
R	B-20569	AMA	15.03.26	or ±z'		x.xx ±0.13		SR SMT	
S	F-23055	AMA	16.01.15			x.xxx ±0.05		scale 5:1	
T	F-25587	LMU	16.12.08	dr	D.LE	01.01.24	Amphenol		dwg no
U	F-28279	DDE	17.05.12	enrg	JM.C	01.01.24	FCI		sheet 1 of 1
V	F-31174	DDE	18.09.05	chr	JM.C	01.01.24	95293		size
W	F-35575	DDE	19.12.06	appd	JF.N	01.01.24	CUSTOMER		A3
sheet index		revision sheet						Drawing	

Amphenol
FCI
 FCIconnect.com
 Copyright FCI

Mouser Electronics

Authorized Distributor

Click to View Pricing, Inventory, Delivery & Lifecycle Information:

[FCI / Amphenol:](#)

[95293-101A10LF](#)