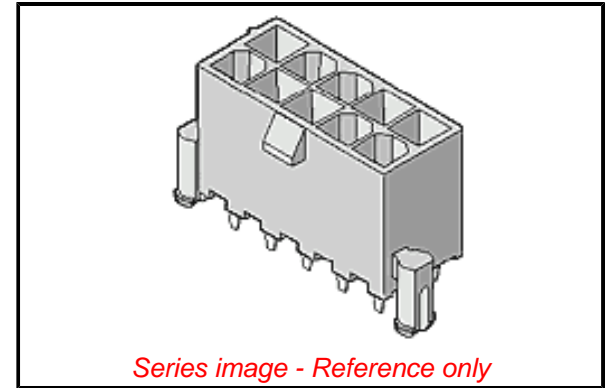


**PLEASE CHECK WWW.MOLEX.COM FOR LATEST PART INFORMATION**

**Part Number:** [0039306025](#)  
**Status:** **Active**  
**Overview:** Mini-Fit Jr. Power Connectors  
**Description:** Mini-Fit Jr. Vertical Header, 4.20mm Pitch, Dual Row, 2 Circuits, with Snap-in Plastic Peg PCB Lock, Tin, Natural

**Documents:**

|   |   |
|---|---|
| <a href="#">3D Model</a>                                    | <a href="#">Product Specification TS-5566-002-001 (PDF)</a>     |
| <a href="#">Drawing (PDF)</a>                               | <a href="#">Application Specification AS-5557-001-001 (PDF)</a> |
| <a href="#">Product Specification PS-5556-001-001 (PDF)</a> | <a href="#">Packaging Specification PK-5566-001-001 (PDF)</a>   |
| <a href="#">Product Specification TS-5556-002-001 (PDF)</a> | <a href="#">RoHS Certificate of Compliance (PDF)</a>            |



**Agency Certification**

|     |         |
|-----|---------|
| CSA | LR19980 |
| UL  | E29179  |

**General**

|                |   |
|----------------|---|
| Product Family | PCB Headers   |
| Series         | <a href="#">5566</a>  |
| Application    | Power, Wire-to-Board  |
| Comments       | The 5566 header should be used with standard Mini-Fit female terminals. If increased amperage of up to 13A per circuit is needed, please consider using the Mini-Fit Plus HCS family <a href="#">45750</a> terminals with <a href="#">46015</a> headers; . See Molex Product specification PS-5666-001 for current de-rating information. |
| Overview       | <a href="#">Mini-Fit Jr. Power Connectors</a>   |
| Product Name   | Mini-Fit Jr.  |
| UPC            | 884982239067  |

**Physical**

|                                |          |
|--------------------------------|----------|
| Breakaway                      | No       |
| Circuits (Loaded)              | 2        |
| Circuits (maximum)             | 2        |
| Color - Resin                  | Natural  |
| Durability (mating cycles max) | 30       |
| First Mate / Last Break        | No       |
| Flammability                   | 94V-2    |
| Glow-Wire Capable              | No       |
| Guide to Mating Part           | No       |
| Keying to Mating Part          | None     |
| Lock to Mating Part            | Yes      |
| Material - Metal               | Brass    |
| Material - Plating Mating      | Tin      |
| Material - Plating Termination | Tin      |
| Material - Resin               | Nylon    |
| Net Weight                     | 0.647/g  |
| Number of Rows                 | 2        |
| Orientation                    | Vertical |
| PC Tail Length                 | 3.50mm   |
| PCB Locator                    | Yes      |
| PCB Retention                  | Yes      |
| PCB Thickness - Recommended    | 1.60mm   |
| Packaging Type                 | Tray     |
| Pitch - Mating Interface       | 4.20mm   |
| Pitch - Termination Interface  | 4.20mm   |
| Plating min - Mating           | 2.540µm  |

**EU ELV**

**Not Relevant**

**EU RoHS**

**Compliant**

**REACH SVHC**

Not Contained Per - ED/61/2018 (27 June 2018)

**Halogen-Free**

**Status**

**Low-Halogen**

For more information, please visit [Contact US](#)

China ROHS

ELV

RoHS Phthalates

**China RoHS**

Green Image

Not Relevant

Not Contained

**Search Parts in this Series**

[5566](#) Series

**Mates With**

Mini-Fit Jr. Receptacle Housing [5557](#)  
 <br>Mini-Fit Jr. TPA Cable Assembly [45135](#)  
 <br>Mini-Fit Jr. Cable Assembly [245135](#)

|                                |                |
|--------------------------------|----------------|
| Plating min - Termination      | 2.540µm        |
| Polarized to Mating Part       | Yes            |
| Polarized to PCB               | Yes            |
| Shrouded                       | Fully          |
| Stackable                      | No             |
| Surface Mount Compatible (SMC) | No             |
| Temperature Range - Operating  | -40° to +105°C |
| Termination Interface: Style   | Through Hole   |

**Electrical**

|                               |      |
|-------------------------------|------|
| Current - Maximum per Contact | 9.0A |
| Voltage - Maximum             | 600V |

**Solder Process Data**

|  |      |
|--|------|
| Duration at Max. Process Temperature (seconds) | 005  |
| Lead-free Process Capability                   | WAVE |
| Max. Cycles at Max. Process Temperature        | 001  |
| Process Temperature max. C                     | 240  |

**Material Info**

|                    |            |
|--------------------|------------|
| Engineering Number | 5566-02A2S |
|--------------------|------------|

**Reference - Drawing Numbers**

|                           |  |
|---------------------------|--|
| Application Specification | AS-5557-001-001  |
| Packaging Specification   | PK-5566-001-001  |
| Product Specification     | PS-5556-001-001, RPS-5556-004-001,<br>TS-5556-002-001, TS-5566-002-001 |
| Sales Drawing             | SDA-5566-N*2*-*  |

This document was generated on 10/19/2018

**PLEASE CHECK [WWW.MOLEX.COM](http://WWW.MOLEX.COM) FOR LATEST PART INFORMATION**

# Mouser Electronics

Authorized Distributor

Click to View Pricing, Inventory, Delivery & Lifecycle Information:

[Molex:](#)

[39-30-6025](#)