

THE INFORMATION CONTAINED IN THIS DRAWING IS THE SOLE PROPERTY OF ANDERSON POWER PRODUCTS. ANY REPRODUCTION IN PART OR WHOLE WITHOUT THE WRITTEN PERMISSION OF ANDERSON POWER PRODUCTS IS PROHIBITED.

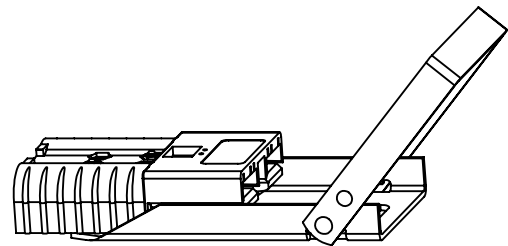
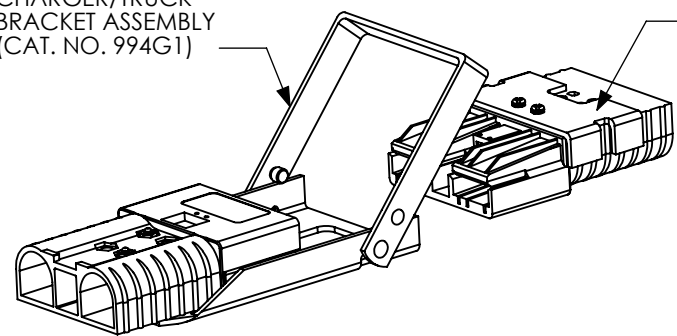
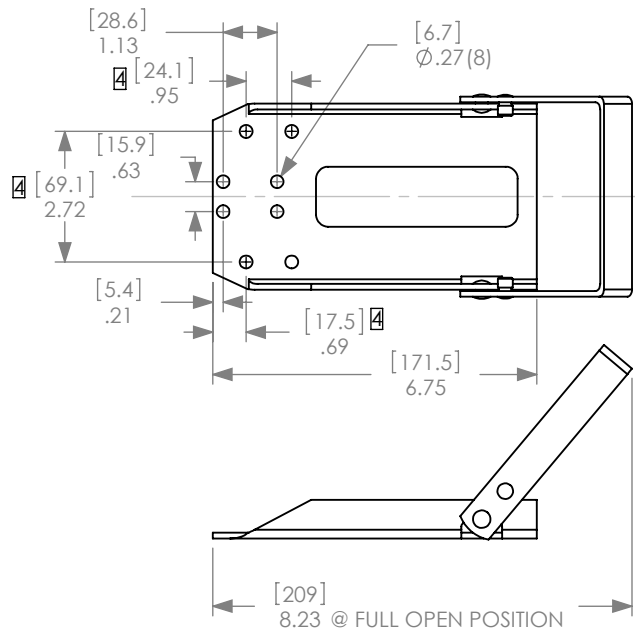
Copyright 2009

ANDERSON POWER PRODUCTS RESERVES THE RIGHT TO ALTER PRODUCT TYPES, THEIR TECHNICAL DATA, DIMENSION, STYLE AND ACCESSORIES WITHOUT PRIOR NOTIFICATION.

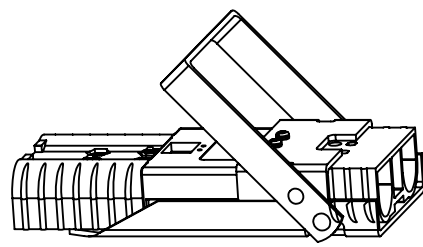
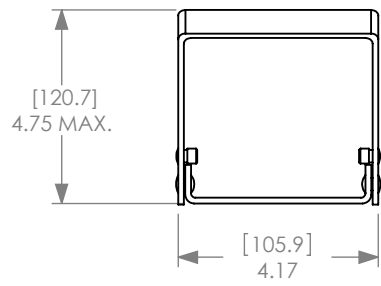
- NOTES:
 1. MATERIAL = #11 GA COLD ROLLED STEEL
 2. FINISH = ELECTROSTATIC POWDER COAT EPOXY-CRIMSON
 3. USE WITH CAT. NO. 993G1 (BATTERY BRACKET)
 4. CONNECTORS SOLD SEPARATELY

CHARGER/TRUCK
 BRACKET ASSEMBLY
 (CAT. NO. 994G1)

BATTERY BRACKET
 (CAT. NO. 993G1)



OPEN POSITION



CLOSED POSITION

COMPONENTS FOR SBE320/SBX350
 MANUAL RELEASE
 CHARGER/TRUCK HALF

COMPONENT	QTY
CHARGER/TRUCK BRACKET ASSY	1
SCREWS	2
WASHERS	2
NUTS	2

REV.	DESCRIPTION	APPRV	DATE
4	ECRN-15173 MNTG HOLE DIM'S ADDED	TWE	6/13/2012
3	ECRN-14464 UPDATE BORDER, SHOW LARGER HOLE	LBF	7/24/09
2	ECRN-13830 ADD (4) MNTG HOLES	AMP	5/11/05
1	ECRN-13559	DJD	4/2/03

REVISIONS

DIMENSIONS ARE IN:	MM [INCH]	APPROVALS	
UNLESS OTHERWISE STATED		DRAWN	CMS 4/14/2000
TOLERANCES:		CHECKED	DJD 4/24/2000
DECIMALS (INCH)	DECIMALS (MM)	MFG APPRV	CHB 4/25/2000
.XX ± .02	.X ± .5	QC APPRV	RPO 5/8/2000
ANGLES ±2°		ENG APPRV	UFN 4/25/2000
SURFACE FINISH:		MATERIAL: SEE NOTES	
MACHINED	3.2µ [128µin]	FINISH: SEE NOTES	
MOLDED	1.6µ [64µin]		



-CAD GENERATED DRAWING-
 DO NOT MANUALLY UPDATE
 DO NOT SCALE

ANDERSON POWER PRODUCTS

TITLE
 CAT. NO. 994G1
 SBE320/SBX350
 MANUAL RELEASE
 CHARGER/TRUCK BRACKET

SIZE	DWG NO.	REV.
A	114238S2	4
SCALE	CADFILE	SHEET
NONE	01212	1 OF 1

Mouser Electronics

Authorized Distributor

Click to View Pricing, Inventory, Delivery & Lifecycle Information:

[Anderson Power Products:](#)

[994G1](#)