

PLEASE CHECK WWW.MOLEX.COM FOR LATEST PART INFORMATION

Part Number: [0460140405](#)
Status: **Active**
Overview: [Mini-Fit Plus Connector System](#)
Description: Mini-Fit Plus Header, 4.20mm Pitch, Single Row, Vertical, 4 Circuits, with Snap-in Plastic Peg PCB Lock, PA Polyamide Nylon 6/6, UL 94V-2, Tin (Sn) Over Nickel (Ni) Plating

Documents:

[3D Model](#) [Packaging Specification PK-5566-002-000 \(PDF\)](#)
[Drawing \(PDF\)](#) [RoHS Certificate of Compliance \(PDF\)](#)
[Product Specification PS-45750-001-001 \(PDF\)](#)

Agency Certification

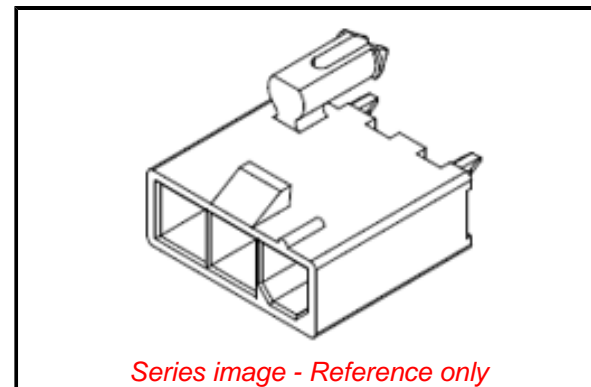
CSA LR19980
 UL E29179

General

Product Family PCB Headers
 Series [46014](#)
 3D Viewer Yes
 Application Board-to-Board, Power, Wire-to-Board
 CURRENT-MAX-NUMERIC 11.5, 12.0
 Comments 11.5A When using as Board-to-Board Applications|12A When Using as Wire-to-Board, 11.5A When using as Board-to-Board Applications|12A When Using as Wire-to-Board
 Overview [Mini-Fit Plus Connector System](#)
 PITCH-MATING-NUMERIC 4.20
 Product Name Mini-Fit Plus
 UPC 884982067752

Physical

Breakaway No
 Circuits (Loaded) 4
 Circuits (maximum) 4
 Color - Resin Natural
 Durability (mating cycles max) 100
 First Mate / Last Break No
 Flammability 94V-2
 Glow-Wire Capable No
 Guide to Mating Part No
 Keying to Mating Part None
 Lock to Mating Part Yes
 Material - Metal Copper Alloy
 Material - Plating Mating Tin
 Material - Plating Termination Nickel
 Material - Resin Nylon
 Net Weight 1.099/g
 Number of Rows 1
 Orientation Vertical
 PC Tail Length 1.80mm
 PCB Locator Yes
 PCB Retention Yes
 PCB Thickness - Recommended 1.78mm
 Packaging Type Tray
 Pitch - Mating Interface 4.20mm
 Polarized to Mating Part Yes



EU ELV

Not Relevant

EU RoHS

Compliant

REACH SVHC

Not Contained Per - ED/71/2019 (16 July 2019)

Halogen-Free

Status

Low-Halogen

For more information, please visit [Contact US](#)

China ROHS

ELV

RoHS Phthalates

China RoHS

Green Image

Not Relevant

Not Contained

Search Parts in this Series

[46014 Series](#)

Mates With

[5557 Mini-Fit Jr. Receptacle Housing](#)

Polarized to PCB	Yes
Shrouded	Fully
Stackable	No
Surface Mount Compatible (SMC)	No
Temperature Range - Operating	-40° to +105°C
Termination Interface: Style	Through Hole

Electrical

Current - Maximum per Contact	11.5A, 12.0A
Voltage - Maximum	600V

Solder Process Data

Duration at Max. Process Temperature (seconds)	005
Lead-free Process Capability	WAVE
Max. Cycles at Max. Process Temperature	001
Process Temperature max. C	240

Material Info**Reference - Drawing Numbers**

Packaging Specification	PK-5566-002-000
Product Specification	PS-45750-001-001
Sales Drawing	SD-46014-001-000

This document was generated on 09/25/2019

PLEASE CHECK WWW.MOLEX.COM FOR LATEST PART INFORMATION

Mouser Electronics

Authorized Distributor

Click to View Pricing, Inventory, Delivery & Lifecycle Information:

[Molex:](#)

[46014-0405](#)