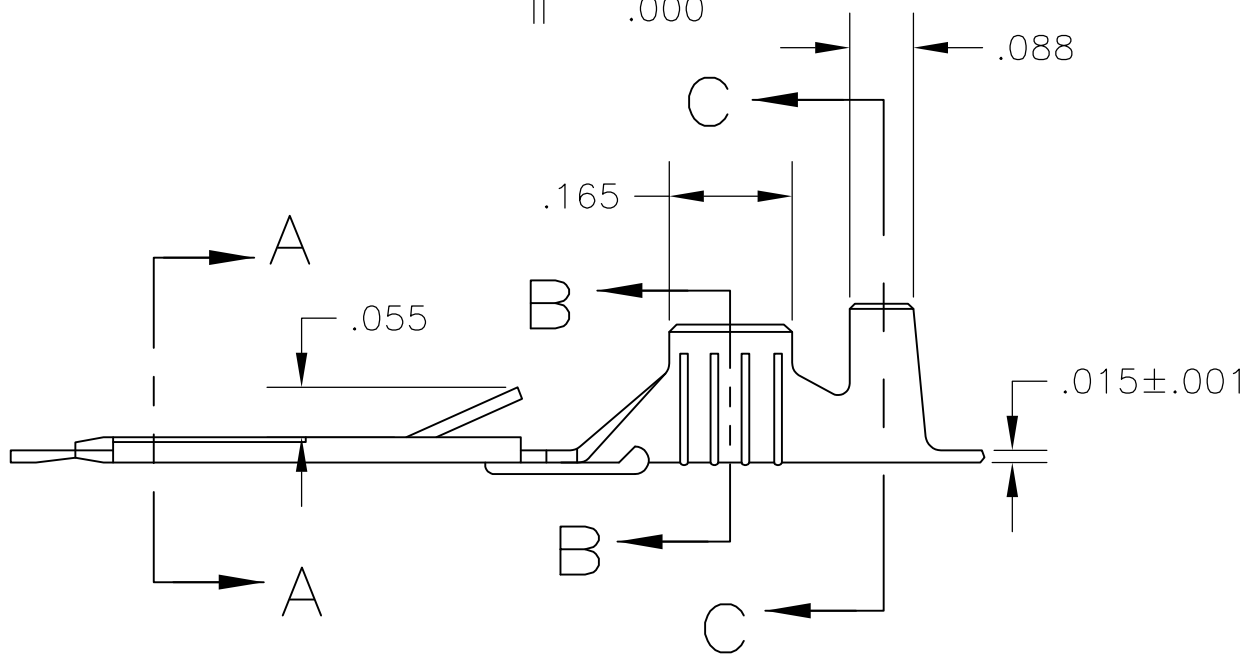
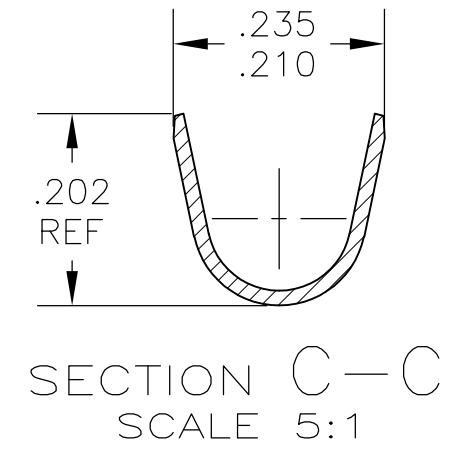
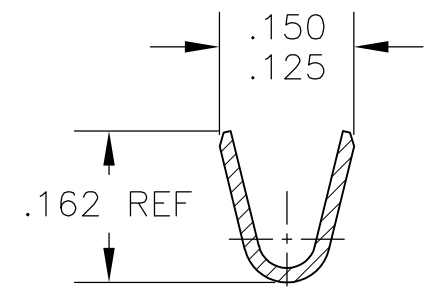
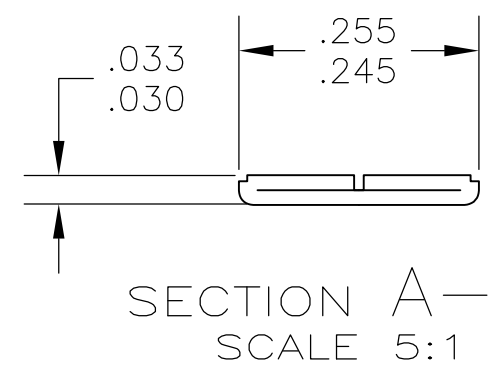
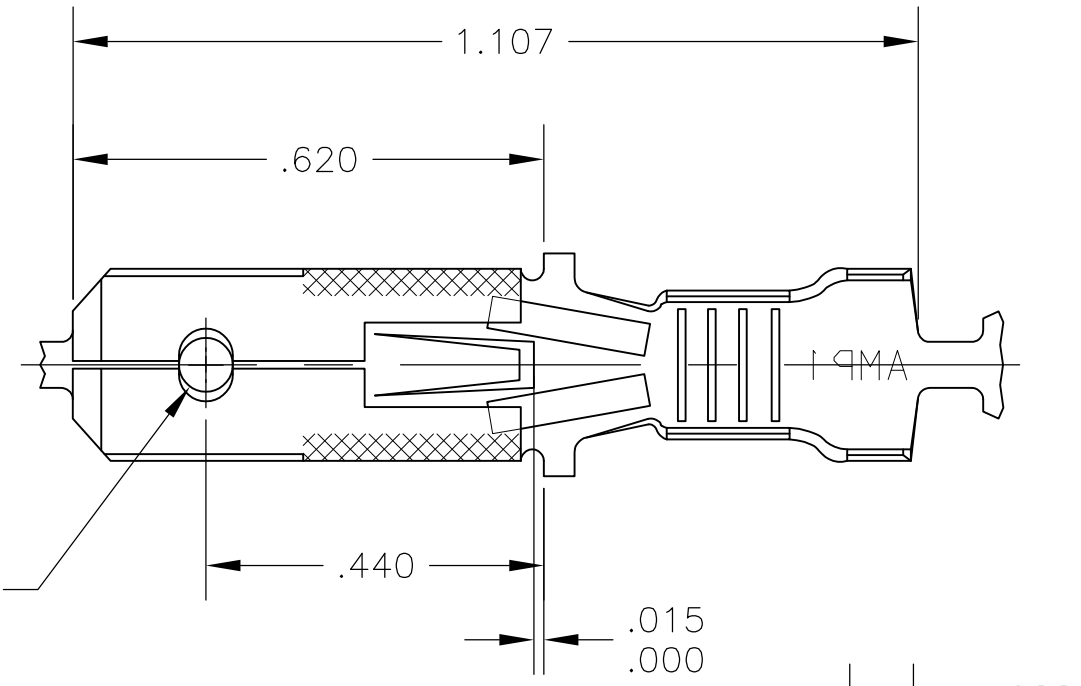


THIS DRAWING IS UNPUBLISHED. RELEASED FOR PUBLICATION
 © COPYRIGHT - By - ALL RIGHTS RESERVED.

LOC	DIST	REVISIONS					
AF	50	P	LTR	DESCRIPTION	DATE	DWN	APVD
			AC	REVISED PER ECR-13-005733	22AUG13	KH	PD

- 1 CONTINUOUS STRIP ON REELS.
- 2 WIRE SIZE IS #18-#14.
- 3 INSULATION RANGE IS .100-.170 DIA.
- 4 FOREIGN PRODUCTION ONLY.
- 5 PREPRODUCTION - FASR REQUIRED.
- 6 PRELIMINARY - NOT FOR PRODUCTION.



	NICKEL	BRASS	6	42460-9
	PRE-TIN	BRASS	4 5	42460-8
OBSOLETE	SILVER .000120 MIN	#2H BRASS		42460-7
	-	#2H PHOS BRZ		42460-6
	PRE-TIN	BRASS		42460-5
OBSOLETE	TIN .000080 MIN	#2H PHOS BRZ		42460-4
	SILVER .000120 MIN			42460-3
	TIN	BRASS		42460-2
	-			42460-1
	FINISH	MATERIAL		PART NO

THIS DRAWING IS A CONTROLLED DOCUMENT.		DWN	JR RUTH	9/17/90	STE TE Connectivity		
DIMENSIONS: INCHES		CHK	MS FEHER	9/17/90			
TOLERANCES UNLESS OTHERWISE SPECIFIED:		APVD	R KUZO	9/17/90	NAME		
0 PLC ± -		PRODUCT SPEC		TAB, FASTIN-FASTON, .250 SERIES			
1 PLC ± -		-		SIZE			
2 PLC ± -		APPLICATION SPEC		CAGE CODE		DRAWING NO	
3 PLC ± .015		-		A3		00779	
4 PLC ± -		WEIGHT		C=		42460	
ANGLES ± -		-		RESTRICTED TO		-	
MATERIAL SEE TABLE		FINISH SEE TABLE		CUSTOMER DRAWING		SCALE 4:1	
				SHEET 1 OF 1		REV AC	

Mouser Electronics

Authorized Distributor

Click to View Pricing, Inventory, Delivery & Lifecycle Information:

[TE Connectivity:](#)

[42460-1](#) [42460-1 \(Mouser Reel\)](#) [42460-8](#) [42460-1 \(Loose Piece\)](#) [42460-1 \(Cut Strip\)](#)