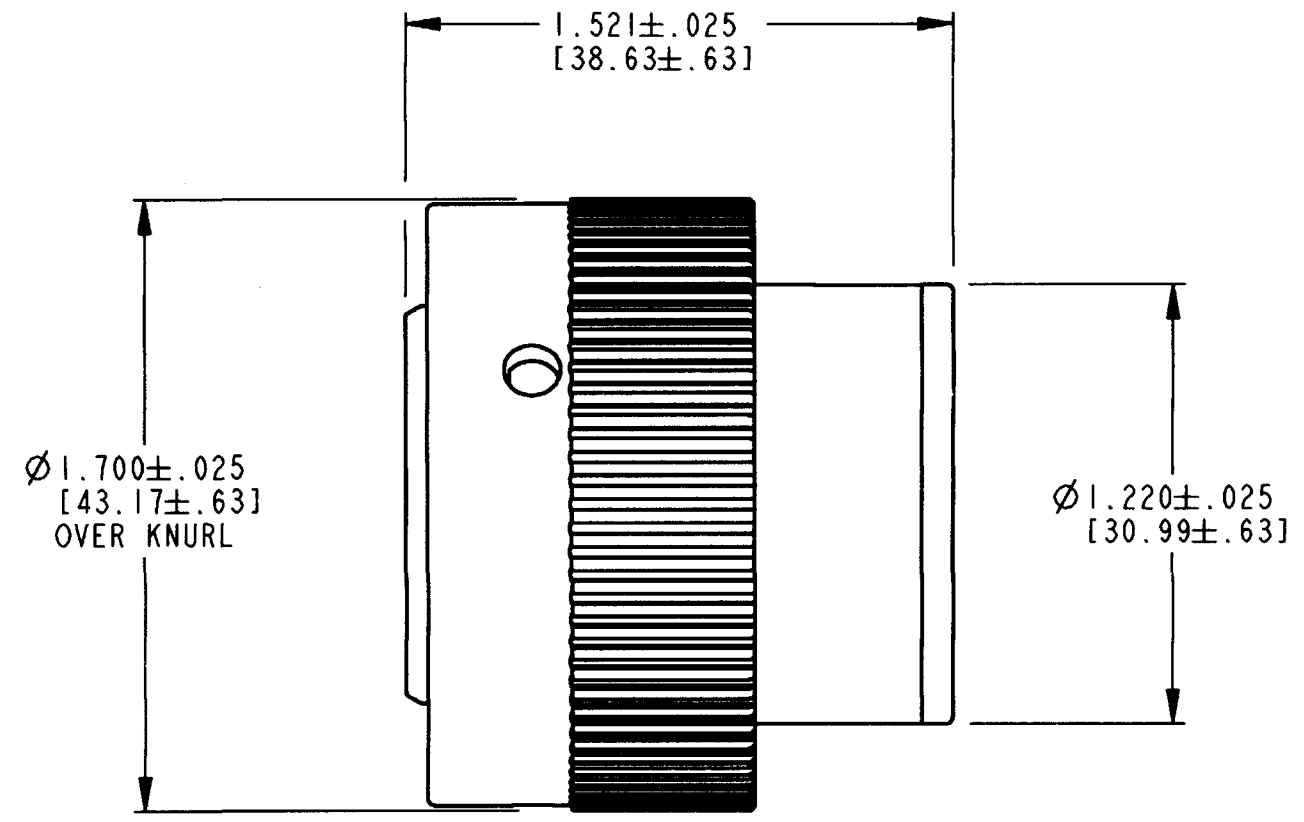
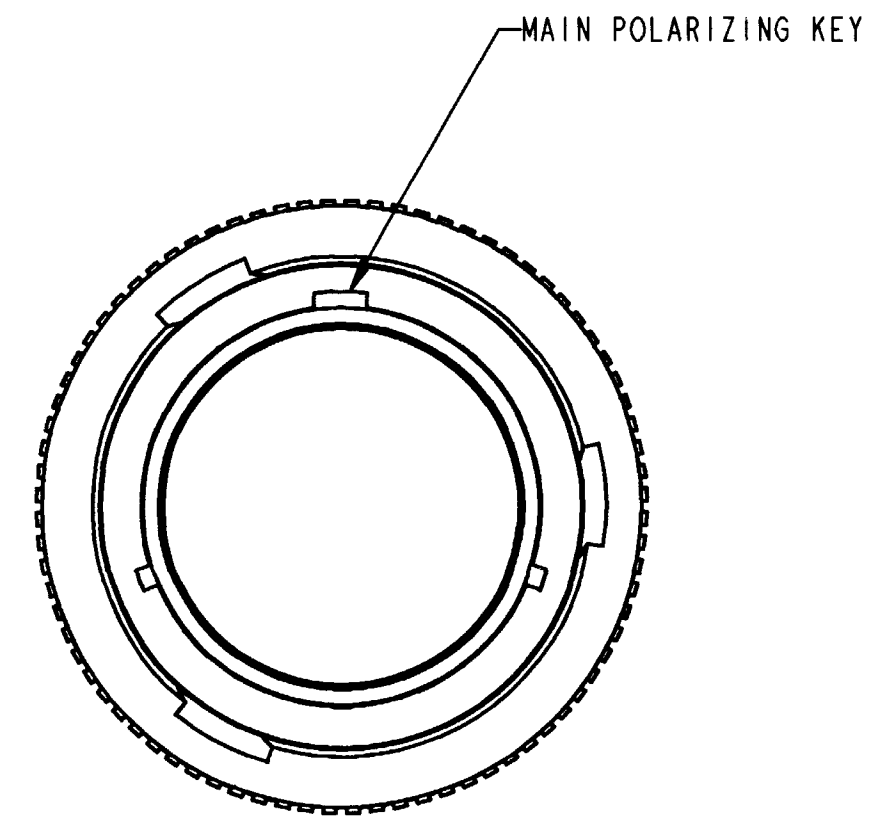


| | | | | |
|----------|-----------------------------|-----------|----------|--|
| REV A | HDP26-18-***P/S* | REVISIONS | | |
| SYM | DESCRIPTION | DATE | APPROVED | |
| NC | NEW RELEASE PER E.O. PI6488 | 1-27-00 | RDR | |
| A | REVISED PER E.O. PI6875 | 9-29-00 | RDR | |
| | | | | |



- 6. THIS PART MATES WITH HDP24-18-***S/P*.
- 5. FOR ARRANGEMENT OF CONTACT LOCATION SEE ENVELOPE DRAWING 0425-013-1800.
- 4. FOR CONTACTS AND WIRES PERFORMANCE AND APPLICATION CHARACTERISTICS SEE ENVELOPE DRAWING 0425-015 0000.
- 3. FOR PERFORMANCE AND APPLICATION CHARACTERISTICS SEE ENVELOPE DRAWING 0425-021-0000.
- 2. DIMENSIONS ARE IN INCHES [MILLIMETERS].

NOTES: 1. CONSULT FACTORY FOR ELECTRICAL AND MATERIAL SPECIFICATIONS.

| | | | | |
|------------------|----------------------------|---|---|---------------|
| SIGNATURE & DATE | | PLUG CONNECTOR SHELL SIZE 18 BAYONET COUPLING HDP20 SERIES | CP | MATL. CODE |
| DR | S. BEARD 12JAN00 | | The Deutch Company DEUTSCH I.P.D. 3850 INDUSTRIAL AVE. HEMET, CALIF. 92545 | |
| CHK | <i>[Signature]</i> 9/29/00 | | B HDP26-18-***P/S* | |
| PE | <i>[Signature]</i> 9-25-00 | | | |
| APPD | <i>[Signature]</i> 9-29-00 | | DWG SIZE | CODE 11139 |
| SCALE | NONE | WT | ENVELOPE | |

Mouser Electronics

Authorized Distributor

Click to View Pricing, Inventory, Delivery & Lifecycle Information:

[TE Connectivity:](#)

[HDP26-18-8SE](#)