

1

2

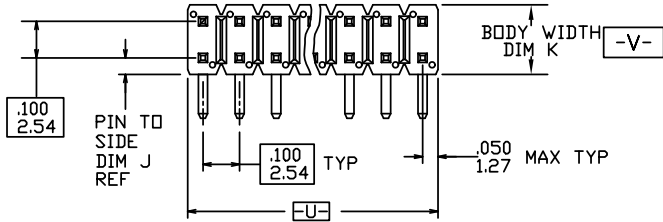
3

4

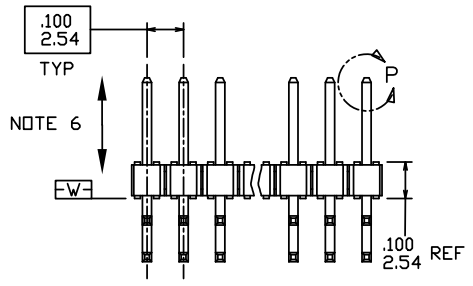
PRODUCT NUMBER

XXXXX-YYYHTLF

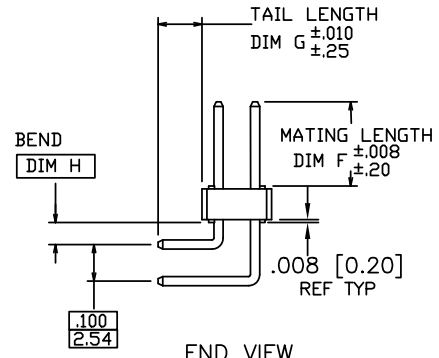
- LEAD FREE OPTION  
SEE NOTE 1,11
- TUBE PACKAGING OPTION  
SEE NOTE 1
- HIGH TEMPERATURE PLASTIC  
SEE NOTE 1
- NO OF POSITIONS  
SEE NOTE 1
- PIN PLATING  
SEE SHEET 2
- BASE PART NO.



TOP VIEW

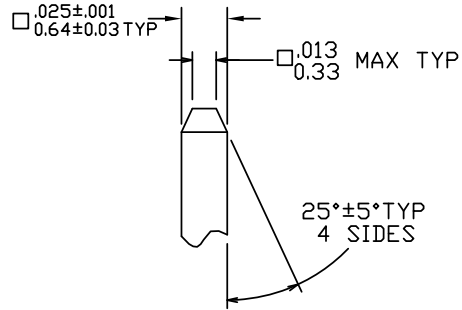


SIDE VIEW



END VIEW

⊕ ∅ .020/.51 (M) U (M) V (S) W  
NOTE 4



DETAIL P  
TYP BOTH ENDS

rev	ecn no	dr	date
AB	V20801	MHT	4/29/02
AC	M04-0234	AGS	12/29/05
AD	M05-0072	MHT	5/03/05
AE	M06-0269	MHT	7/17/06
AF	M06-0346	MHT	9/04/06
AG	M08-0291	MHT	10/06/08
AH	N11-0118	J.Z	2011-04-12

www.fciconnect.com			surface 6.4 ISO 1302	tolerance std ISO 406 ISO 1101	projection ⊕	INCH/MM ↔
Dr	D. WITHING	4/08/93	TOLERANCES UNLESS OTHERWISE SPECIFIED		size	A4
Eng	T.HANNA	4/08/93	ANGULAR	LINEAR	0.X	±0.3
Chr	T.HANNA	4/08/93	0°	±2°	0.XX	±0.15
Appr	T.HANNA	4/08/93	0.XXX	±0.05	ECN	N11-0118
Product family			BERGSTIK		Spec ref	
title BERGSTIK® II HEADER .100 DR R/A SELF-RET					dwg no	69193
catalog no					CUSTOMER	sheet 1 of 4
					Rev.	AH



Copyright FCI.

1

2

PIN PLATING CODES:	
XXXX-1YY	30u"/0.76u MIN (SEE NOTE 12) OVER 50u"/1.27u MIN Ni
XXXX-2YY	15u"/0.38u MIN (SEE NOTE 12) OVER 50u"/1.27u MIN Ni
XXXX-3YY	50u"/1.27u MIN (SEE NOTE 12) OVER 50u"/1.27u MIN Ni
XXXX-4YY	100u"/2.54u MIN Sn OVER 50u"/1.27u MIN Ni (SEE NOTE 13)
XXXX-4YYHLF	
XXXX-5YY	15u"/0.38u MIN (SEE NOTE 12) OVER 50u"/1.27u MIN Ni
XXXX-6YY	30u"/0.76u MIN (SEE NOTE 12) OVER 50u"/1.27u MIN Ni
XXXX-7YY	30u"/0.76u MIN (SEE NOTE 12) OVER 50u"/1.27u MIN Ni
XXXX-8YY	15u"/0.38u MIN (SEE NOTE 12) OVER 50u"/1.27u MIN Ni
XXXX-9YY	15u"/0.38u MIN (SEE NOTE 12) OVER 50u"/1.27u MIN Ni
XXXX-0YY	30u"/0.76u MIN (SEE NOTE 12) OVER 50u"/1.27u MIN Ni

**NOTES**

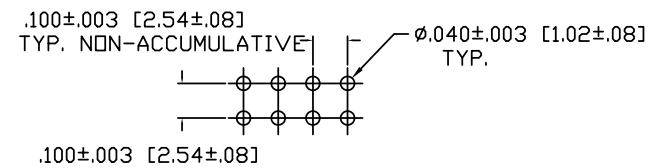
①. PART NUMBER OPTIONS:  
 PIN PLATING CODES (SEE ABOVE)  
 HIGH TEMP. MATERIAL:  
 FOR HIGH-TEMPERATURE APPLICATIONS, SPECIFY AN "H" AT THE END OF THE PART NUMBER, AND PCT WILL BE SUPPLIED.  
 NUMBER OF POSITION:  
 ANY NUMBER OF POSITIONS FROM 2 (2X1) THRU 72 (2X36).  
 PACKAGING:  
 PACKAGED IN POLY BAGS.  
 EIGHT DIGIT PART NUMBERS FOLLOWED BY A "T" ARE PACKAGED IN TUBES. SEE SPECIFIC PART NUMBERS FOR AVAILABILITY.  
 LEAD FREE:  
 ADD "HLF" SUFFIX AT THE END OF PART NUMBER FOR LEAD FREE OPTION, NOT AVAILABLE FOR -5YY,-5YYH,-6YY & -6YYH.

②. BODY MATERIAL:  
 MANUFACTURER'S OPTION OF NYLON OR PCT, GLASS FIBER REINFORCED, FLAME RETARDENT PER UL-94V-0.  
 COLOR: BLACK OR MINERAL FILLED LCP, COLOR BLACK  
 FLAME RETARDENT PER UL-94V-0.

PART NUMBERS WITH "H" SUFFIX WILL WITHSTAND EXPOSURE TO 260°C PEAK TEMPERATURE FOR 20 SECONDS IN WAVE SOLDER, INFRA-RED OR VAPOR PHASE SOLDER PROCESS.

PART NUMBERS WITHOUT "H" SUFFIX WILL WITHSTAND EXPOSURE TO 260°C PEAK TEMPERATURE FOR WAVE SOLDER PROCESS.

- ③. PIN MATERIAL: PHOS-BRONZE.
- ④. MEASURED WITH PART IN RESTRAINED CONDITION.
- 5. TWO SIDES OF PIN TIPS NOT PLATED. TYPICAL BOTH ENDS.
- ⑥. 2LBS/0.9KG MIN PIN RETENTION IN EITHER DIRECTION.
- ⑦. ±.010/0.25 TOL. APPLIES TO ALL "G" TAILS EXCEPT INDICATED PARTS ON TABLE WHERE +.010/0.25,-.000/0.00 APPLIES.
- ⑧. SECTION R-R DIMENSIONS APPLY SPECIFIED ENDS OF RETENTION PIN POSITIONS ONLY. SEE PRODUCT PART NUMBER FOR SINGLE OR DUAL SIDE RETENTION LOCATED AT MANUFACTURES OPTION.
- ⑨. SECTION S-S DIMENSIONS APPLY TO DUAL RETENTION PIN POSITIONS ONLY, SEE PRODUCT PART NUMBER FOR SINGLE OR DUAL SIDE RETENTION. LOCATED AT MANUFACTURES OPTION.
- 10. 5LB/2.3KG MAX INSERTION FORCE AND .25LB/.1KG MIN RETENTION FORCE PER RETENTIVE PIN USING .062/1.57 THICK CIRCUIT BOARDS AND RECOMMENDED HOLE PATTERN.
- ⑪. THESE PRODUCTS MEETS EUROPEAN UNION DIRECTIVES AND OTHER COUNTRY REGULATION AS DESCRIBED IN GS-22-008.
- ⑫. PLATING OPTIONS:  
 PERFORMANCE PLATING WILL BE EITHER GOLD OR GXT ON POST OR TAIL, OPTIONALLY (78~295u"/2~7.5u) TIN ON TAIL.
- ⑬. "THIS PRODUCT HAS 100% TIN PLATING IN THE INTERFACE AND HAS NOT BEEN TESTED FOR WHISKER GROWTH IN ALL INTERCONNECT ENVIRONMENTS."



RECOMMENDED HOLE PATTERN

www.fciconnect.com			surface ISO 1302 ✓	tolerance std ISO 406 ISO 1101	projection INCH/MM
			TOLERANCES UNLESS OTHERWISE SPECIFIED		← →
Dr	D. WITHING	4/08/93	ANGULAR	0.X ±0.3	size A4
Eng	T.HANNA	4/08/93	LINEAR	0.XX ±0.15	Scale 1.000
Chr	T.HANNA	4/08/93	0° ±2°	0.XXX ±0.05	ECN N11-0118
Appr	T.HANNA	4/08/93	Product family	BERGSTIK	Spec ref
FCI		title	BERGSTIK® II HEADER .100 DR R/A SELF-RET		Rev. AH
		catalog no	CUSTOMER		sheet 2 of 4
		dwg no	69193		



Copyright FCI.

1

2

3

4

A

B

C

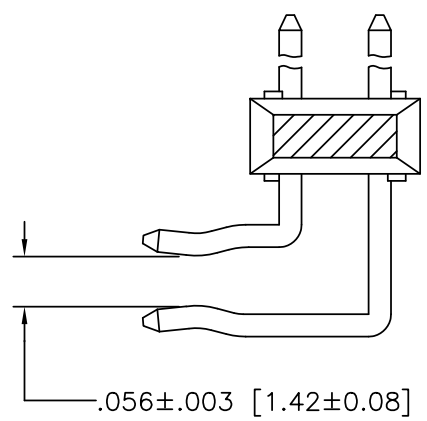
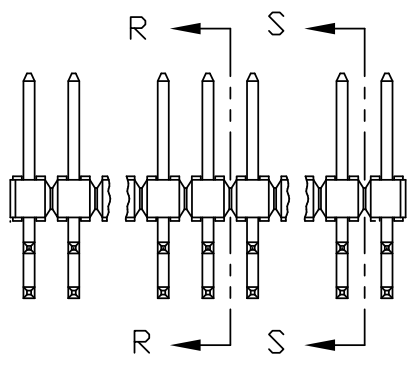
D

A

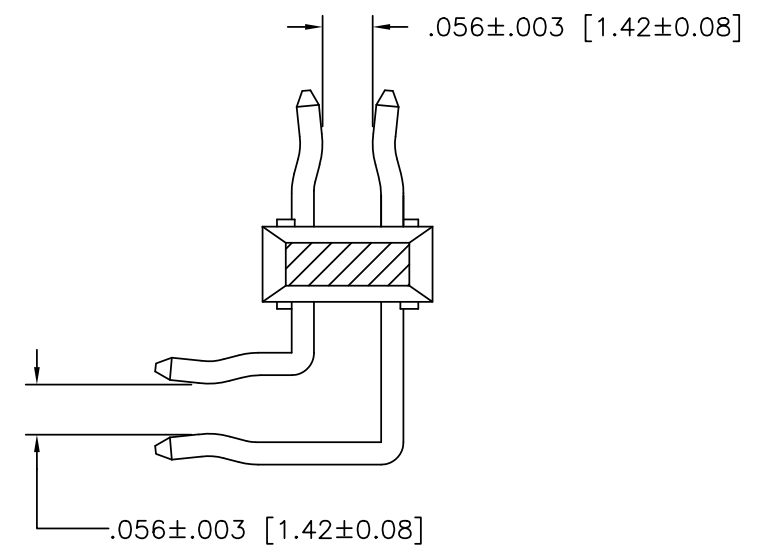
B

C

D



SECTION R-R  
NOTE 8



SECTION S-S  
NOTE 9



Copyright FCI.

REV F - 2006-04-17

www.fciconnect.com			surface ISO 1302 ✓		tolerance std ISO 406 ISO 1101		projection ⊕		INCH/MM ↔	
TOLERANCES UNLESS OTHERWISE SPECIFIED			ANGULAR		LINEAR		size A4		Scale 1.000	
Dr	D. WITHING	4/08/93	0°		0.X		±0.3		ECN N11-0118	
Eng	T.HANNA	4/08/93	±2°		0.XX		±0.15		Spec ref	
Chr	T.HANNA	4/08/93			0.XXX		±0.05			
Appr	T.HANNA	4/08/93	Product family		BERGSTIK		dwg no 69193		Rev. AH	
catalog no			CUSTOMER			sheet 3 of 4				

PDM: Rev:AH

STATUS Released

4 Printed: Apr 20, 2011

1

2

3

4

PRODUCT NUMBER	MATING LENGTH		TAIL LENGTH		BEND DIM.		PIN TO SIDE		BODY WIDTH		RETENTION	LOCATION	PACKAGING	NOTES	LF OPTION
	DIM F	DIM F	DIM G	DIM G	DIM H	DIM H	DIM J	DIM J	DIM K	DIM K					
69193-XYX	0.230	5.84	0.120	3.05	0.060	1.52	0.045	1.14	0.190	4.83	G TAIL	POLY BAGS	-	NOTE 1,11 ↓	
78253-XYX	N O T A V A I L A B L E														
78276-XYX	0.318	8.08	0.120	3.05	0.060	1.52	0.070	1.78	0.240	6.10	G TAIL	POLY BAGS/TUBES	-		
78299-XYX	0.230	5.84	0.120	3.05	0.060	1.52	0.070	1.78	0.240	6.10	G TAIL	POLY BAGS/TUBES	-		
86381-XYX	0.250	6.35	0.120	3.05	0.060	1.52	0.070	1.78	0.240	6.10	G TAIL	POLY BAGS	-		
87227-XYX	0.318	8.08	0.120	3.05	0.060	1.52	0.045	1.14	0.190	4.83	G TAIL	POLY BAGS	-		
87801-XYX	N O T A V A I L A B L E														
87845-XYX	0.230	5.84	0.085	2.16	0.060	1.52	0.070	1.78	0.240	6.10	G TAIL	POLY BAGS/TUBES	7		
90305-XYX	0.165	4.19	0.120	3.05	0.060	1.52	0.070	1.78	0.240	6.10	G TAIL	POLY BAGS/TUBES	7		
93150-XYX	0.275	6.99	0.120	3.05	0.060	1.52	0.045	1.14	0.190	4.83	G TAIL	POLY BAGS	-		
93240-XYX	0.338	8.59	0.120	3.05	0.060	1.52	0.070	1.78	0.240	6.10	G TAIL	POLY BAGS	-		
94048-XYXH	0.380	9.65	0.120	3.05	0.060	1.52	0.070	1.78	0.240	6.10	G TAIL	POLY BAGS	-		NOTE 1,11

A

A

B

B

C

C

D

D



Copyright FCI.

www.fciconnect.com		surface ISO 1302	tolerance std ISO 406 ISO 1101	projection 	INCH/MM ←→
		TOLERANCES UNLESS OTHERWISE SPECIFIED			
Dr	D. WITHING	4/08/93	ANGULAR	LINEAR	size A4
Eng	T.HANNA	4/08/93			Scale 1.000
Chr	T.HANNA	4/08/93	0° ±2°	0.XXX ±0.05	ECN N11-0118
Appr	T.HANNA	4/08/93	Product family	BERGSTIK	Spec ref
	title	BERGSTIK® II HEADER .100 DR R/A SELF-RET		dwg no	69193
	catalog no	CUSTOMER		Rev.	AH
				sheet 4 of 4	

REV F - 2006-04-17

1

2

PDM: Rev:AH

STATUS Released 4 Printed: Apr 20, 2011

# Mouser Electronics

Authorized Distributor

Click to View Pricing, Inventory, Delivery & Lifecycle Information:

## [FCI / Amphenol:](#)

[69192-218](#) [69192-610HT](#) [78548-110](#) [78548-202](#) [78299-410HLF](#) [78548-106HLF](#) [78548-202HLF](#) [78548-226HLF](#)  
[78548-240HLF](#) [78548-254HLF](#) [78548-402HLF](#) [78548-416HLF](#) [86380-102HLF](#) [86380-404HLF](#) [86380-406HLF](#)  
[86380-408HLF](#) [86380-410HLF](#) [86380-412HLF](#) [86380-414HLF](#) [86380-416HLF](#) [86380-420HLF](#) [86380-424HLF](#)  
[94654-172HLF](#) [89580-214](#) [78548-410HLF](#) [78548-414HLF](#) [78548-412HLF](#) [78548-424HLF](#) [79214-420HLF](#) [94654-150HLF](#)