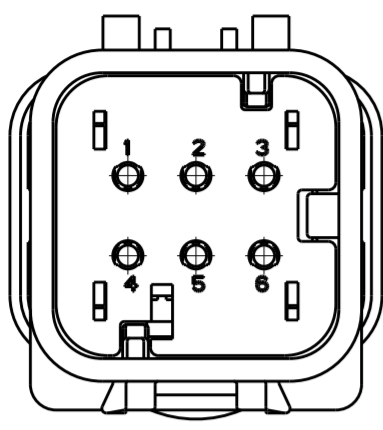
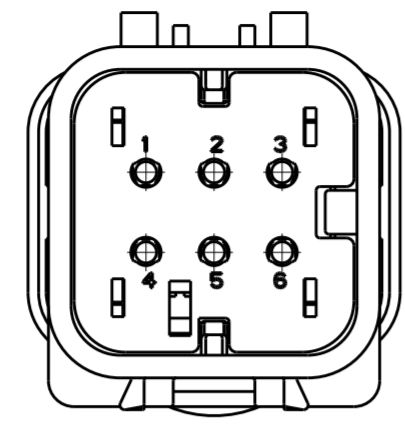


THIS DRAWING IS UNPUBLISHED. RELEASED FOR PUBLICATION. ALL RIGHTS RESERVED. COPYRIGHT 20 BY -

REVISIONS				
P	LTR	DESCRIPTION	DATE	APVD
C2		REVISED PER ECO-11-005030	12MAR2011	RK HMR
D		REVISED PER ECO-13-019168	05DEC2013	DR RB

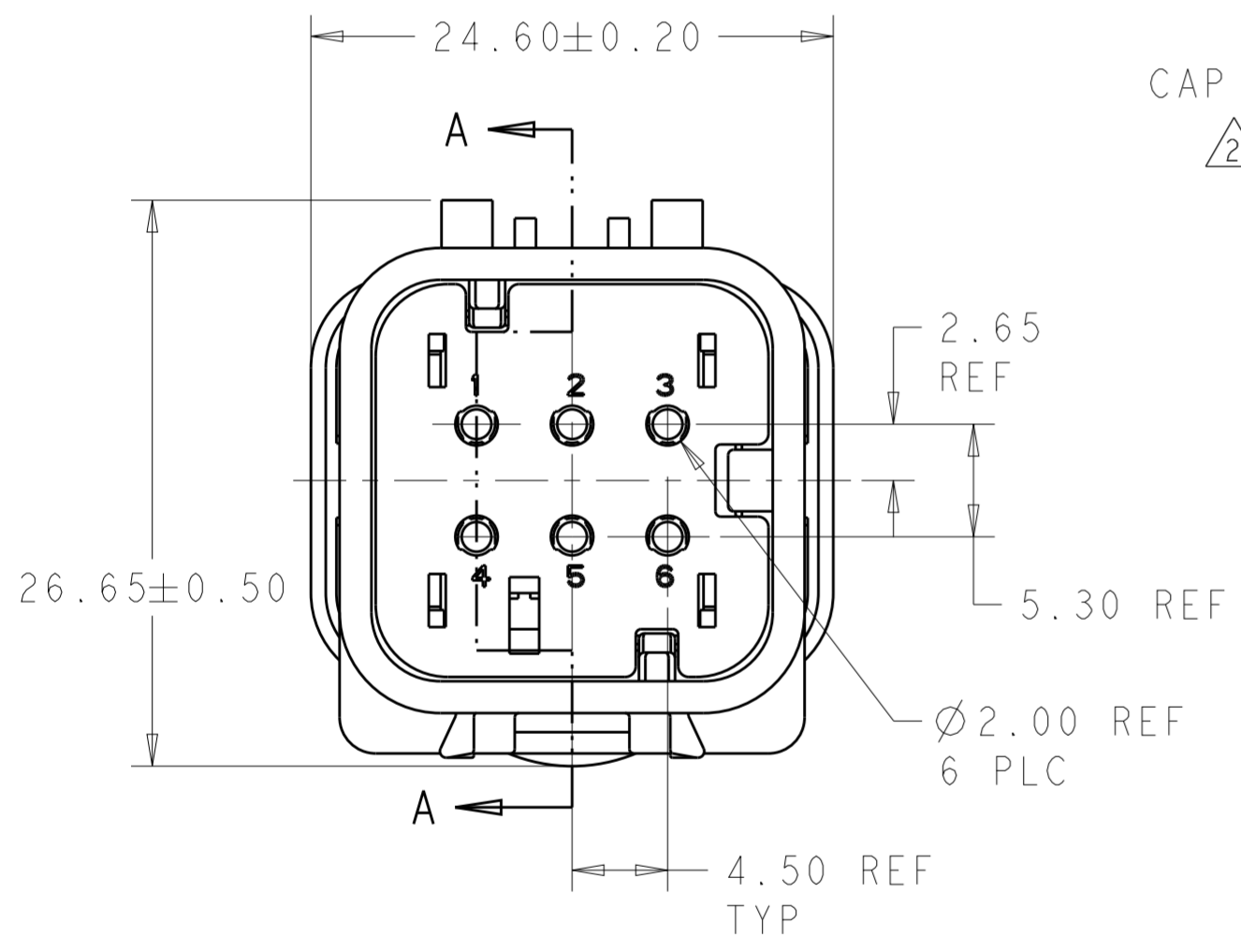


776434-2
SCALE 2:1

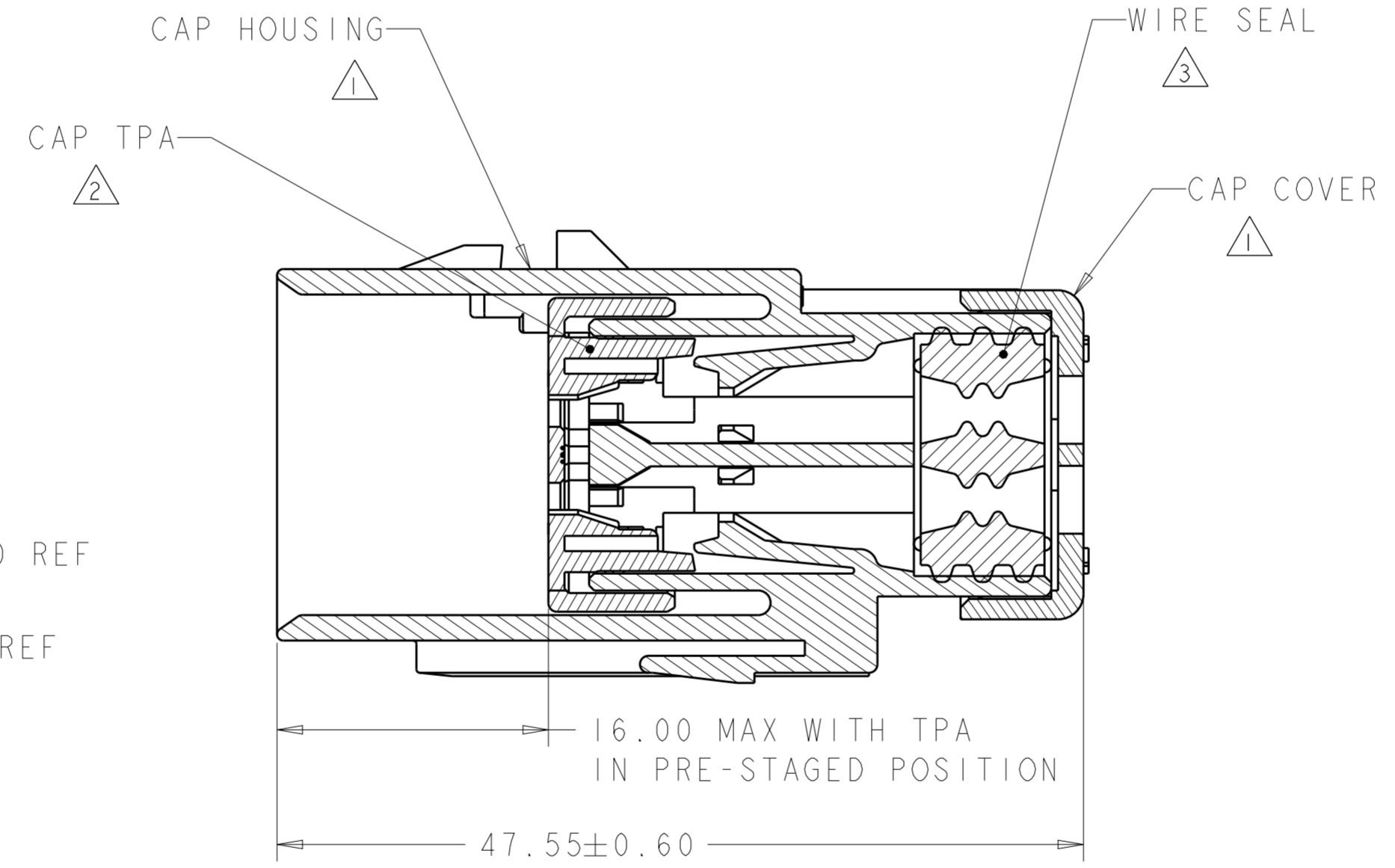


776434-3
SCALE 2:1

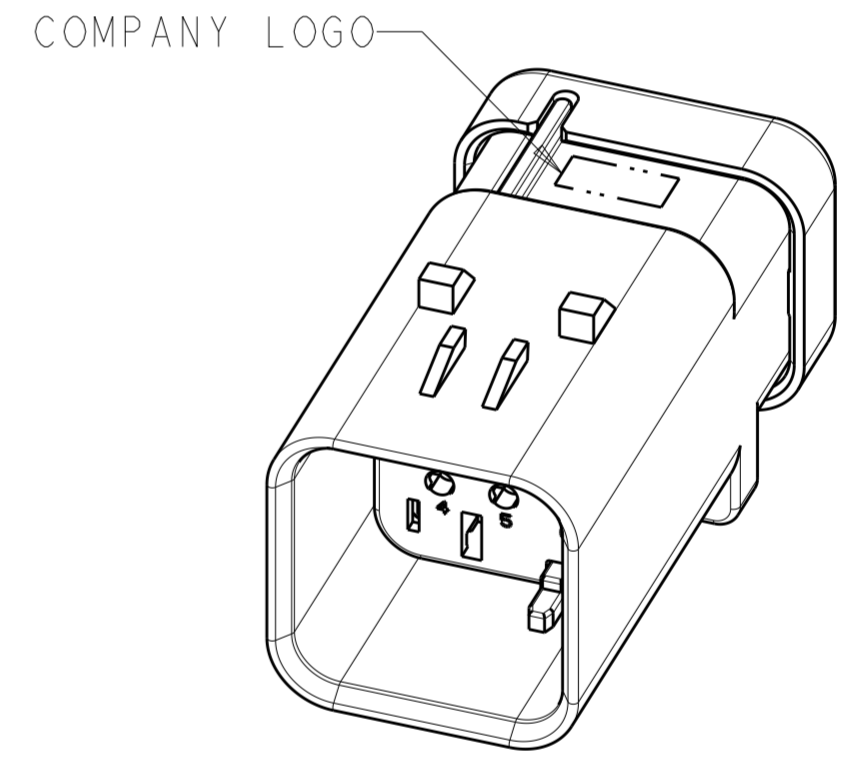
- ① MATERIAL: 15% GLASS FILLED THERMOPLASTIC
COLOR: BLACK
- ② MATERIAL: 15% GLASS FILLED THERMOPLASTIC
COLOR: (SEE TABLE)
- ③ MATERIAL: SILICONE
COLOR: MARINE BLUE



776434-1 SHOWN



SECTION A-A



SCALE 2:1

YELLOW	776434-3
GRAY	776434-2
RED	776434-1
TPA COLOR	PART NUMBER

THIS DRAWING IS A CONTROLLED DOCUMENT.		DWN AJ GRAFF 13JUN00	TE Connectivity CAP ASSEMBLY, 6 POSITION, DUAL ROW, AMPSEAL 16	
DIMENSIONS:		CHK R GREINER 03JAN02		
TOLERANCES UNLESS OTHERWISE SPECIFIED:		APVD M TRULLI 03JAN02		
mm		PRODUCT SPEC 108-2184		
0 PLC ± 1 PLC ± 2 PLC ± 3 PLC ± 4 PLC ± ANGLES ± FINISH ±		APPLICATION SPEC 114-13065	SIZE A200779	DRAWING NO C-776434
MATERIAL		WEIGHT 15.5	RESTRICTED TO	
		Customer Drawing	SCALE 2:1	SHEET 1 OF 1

Mouser Electronics

Authorized Distributor

Click to View Pricing, Inventory, Delivery & Lifecycle Information:

[TE Connectivity:](#)

[776434-1](#)