

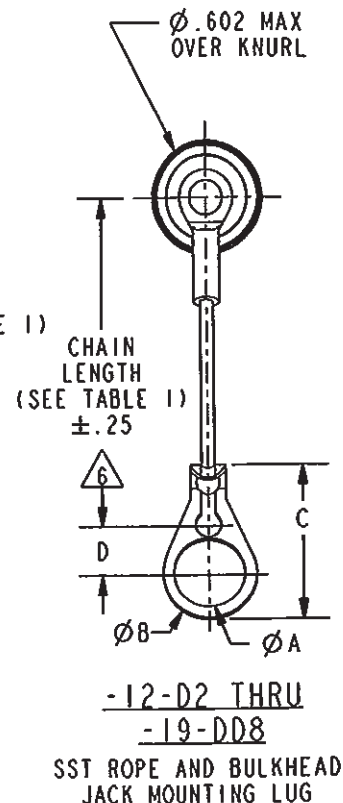
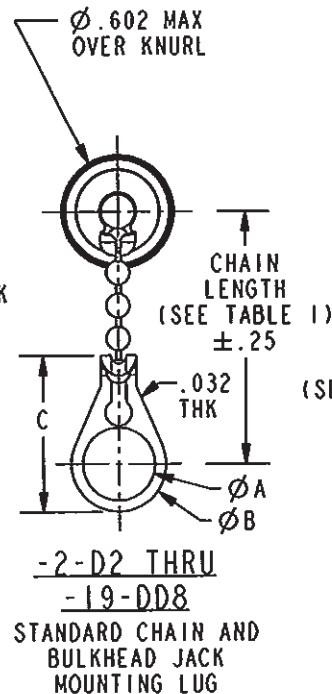
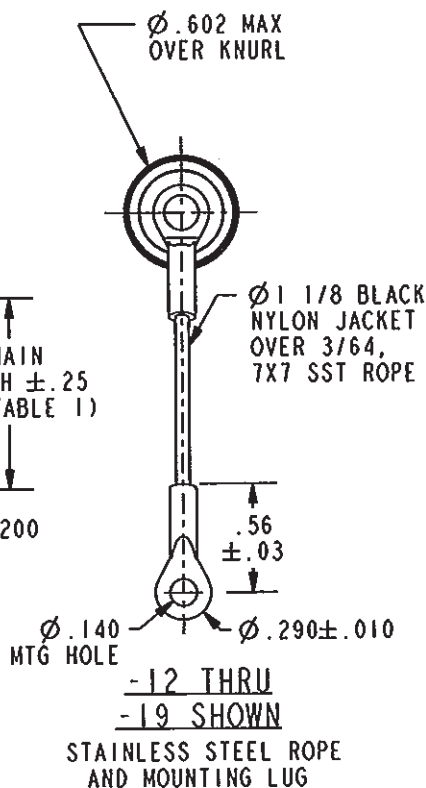
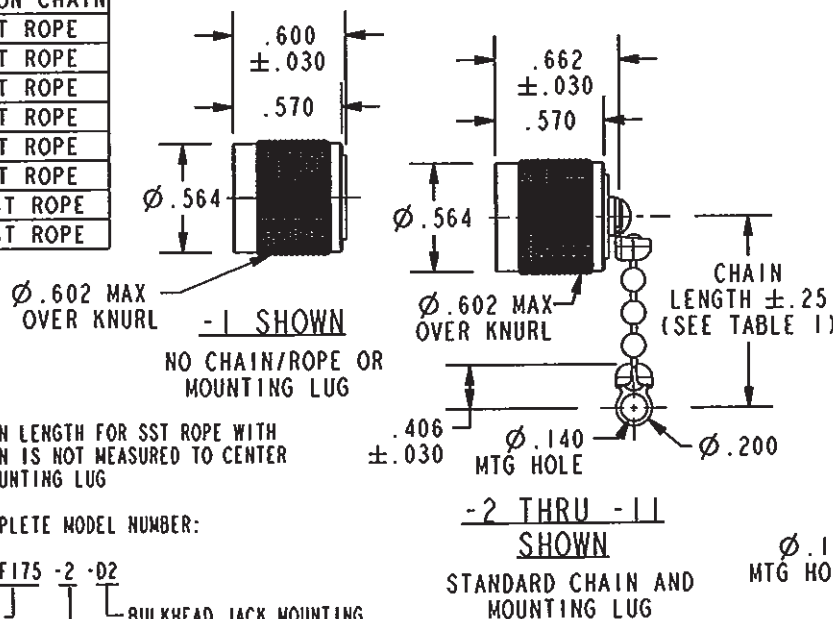
TABLE 1	
DASH NO	DESCRIPTION
-1	NO CHAIN
-2	2.5 BRASS CHAIN
-3	2.5 NYLON CHAIN
-4	3.0 BRASS CHAIN
-5	3.0 NYLON CHAIN
-6	6.0 BRASS CHAIN
-7	6.0 NYLON CHAIN
-8	4.0 BRASS CHAIN
-9	4.0 NYLON CHAIN
-10	10.0 BRASS CHAIN
-11	10.0 NYLON CHAIN
-12	2.5 SST ROPE
-13	3.0 SST ROPE
-14	6.0 SST ROPE
-15	4.0 SST ROPE
-16	7.0 SST ROPE
-17	4.5 SST ROPE
-18	12.0 SST ROPE
-19	18.0 SST ROPE

TABLE 2					
DASH NO	ØA	ØB	C DIM	D DIM	
-D2	.630	.750	1.066	.450	
-D3	.505	.625	.941	.388	
-D4	.439	.562	.878	.355	
-D5	.380	.500	.816	.325	
-D6	.317	.437	.753	.295	
-D7	.281	.406	.722	.278	
-D8	.610	.750	1.066	.450	
-D9	.567	.687	1.003	.419	
-D10	.192	.312	.628	.231	
-DD8	.330	.450	.766	.300	

TABLE 3	
MODEL NUMBER	
RF145	
RF1375	
RFIS45	
RFIS375	

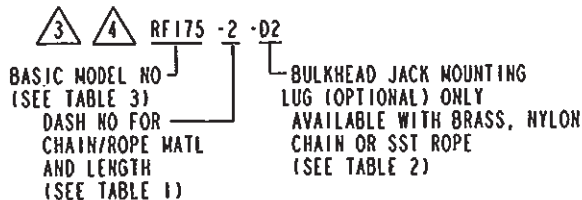
DATA CONTAINED IN THIS DOCUMENT IS PROPRIETARY TO TROMPETER ELECTRONICS INC. AND SHALL NOT BE DISCLOSED, COPIED OR USED FOR PROCUREMENT OR MANUFACTURE WITHOUT EXPRESS WRITTEN PERMISSION.

REVISIONS			
REV	DESCRIPTIONS	DATE	APPROVED
J	REVISED PER ECO # 16768	10/14/08	<i>[Signature]</i>



NOTE THAT CHAIN LENGTH FOR SST ROPE WITH MOUNTING OPTION IS NOT MEASURED TO CENTER OF BULKHEAD MOUNTING LUG

EXAMPLE OF COMPLETE MODEL NUMBER:



RED INDICATES ORIGINAL

IF SAFETY WIRE TYPE IS REQUIRED, ADD SUFFIX "S" TO MODEL NUMBER. (E.G. RFIS)

MODEL NUMBER. RF1375-N WHEN USED FOR TEI 370 (TRT) SERIES CONNECTORS

FINISH: TFS-1A (NICKEL)

TNC RF1/DUST CAP WITH OR WITHOUT CHAIN OR JACKETED STAINLESS STEEL ROPE AND MOUNTING LUG OPTION

NOTES: UNLESS OTHERWISE SPECIFIED.

INTERPRET DRAWING PER MIL-STD-100. DIMENSIONS ARE IN INCHES AND INCLUDE FINISH UNLESS OTHERWISE SPECIFIED.	TOL: UNLESS SPECIFIED. .XX ± .02 .XXX ± .010 ANGLE ± 1°
APP'D: J. CARPENTER 09-24-08	MATERIAL:
CHK: M.J. 10-13-08	FINISH:
QUALITY	
MANUF	
APPROVED: <i>[Signature]</i> 10-13-08	
PART FILE NO. 105-0600	DO NOT SCALE DWG

TITLE: RF145/RF1375/ RFIS45/RFIS375			
SIZE: A	CAGE CODE: 14949	DRAWING NO.: 105-0600	REV.: J
SCALE: 2/1	DATE: 11-11-74	SHEET: 1C	

Mouser Electronics

Authorized Distributor

Click to View Pricing, Inventory, Delivery & Lifecycle Information:

[Cinch Connectivity Solutions:](#)

[RFI45-16-D2](#)