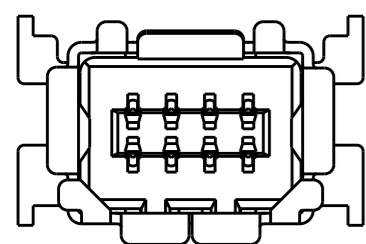
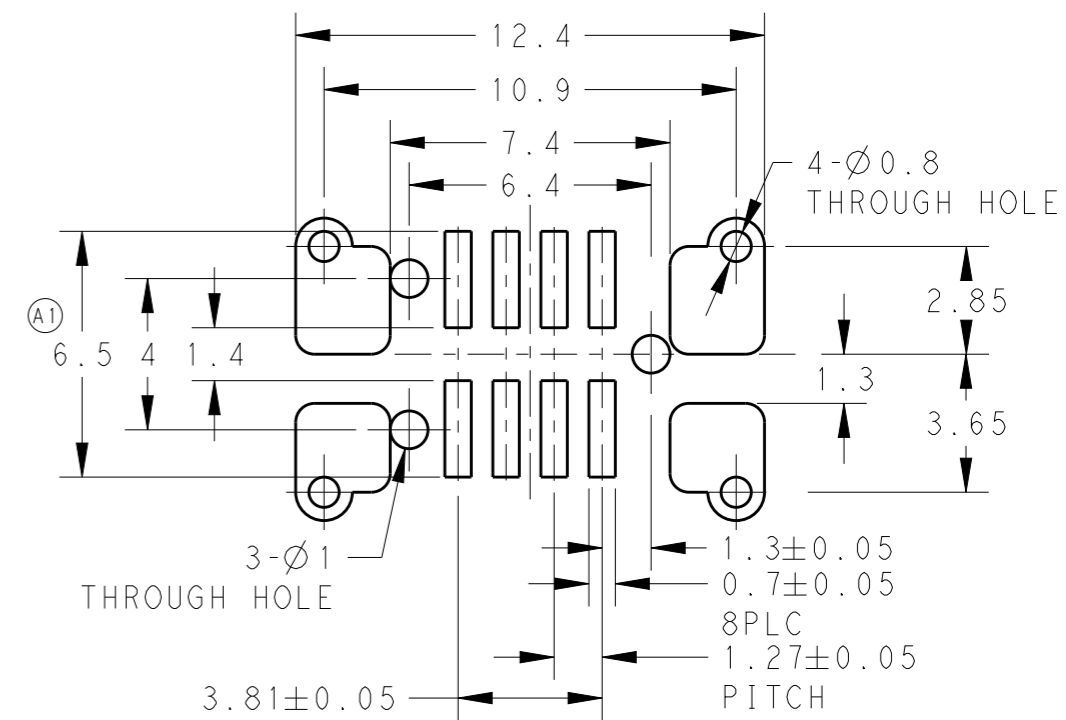
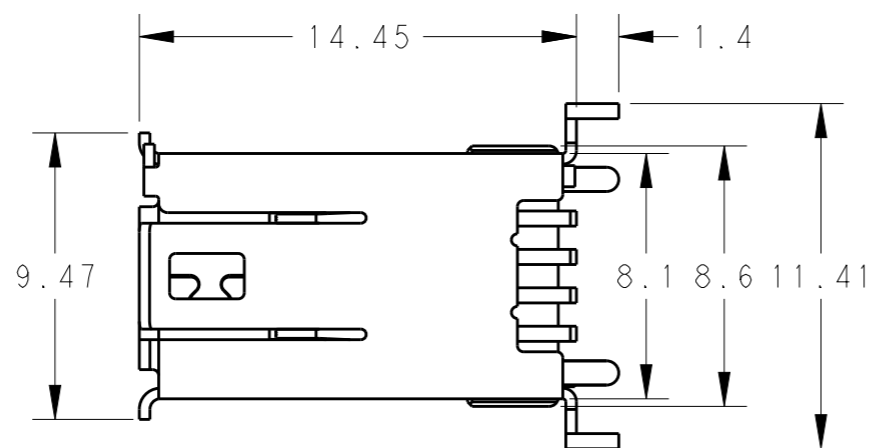


THIS DRAWING IS UNPUBLISHED. RELEASED FOR PUBLICATION. ALL RIGHTS RESERVED.

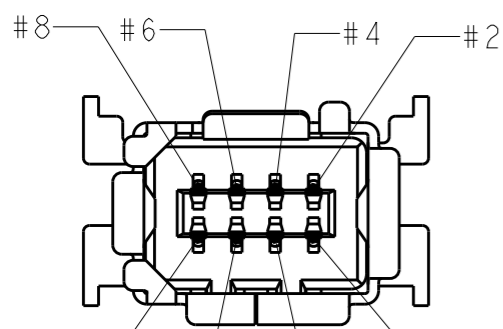
LOC	DIST	REVISIONS			
P	LTR	DESCRIPTION	DATE	DWN	APVD
-	-	A	NEW RELEASE	03MAR2013	H.W. P.Y.
-	-	A1	REVISED	16OCT2013	H.W. X.X.



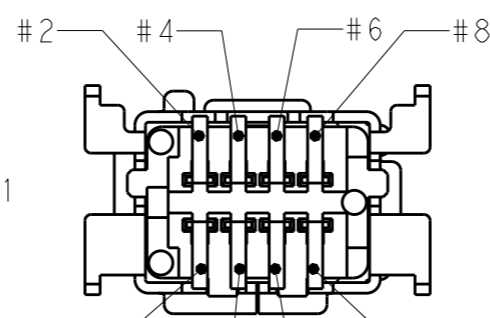
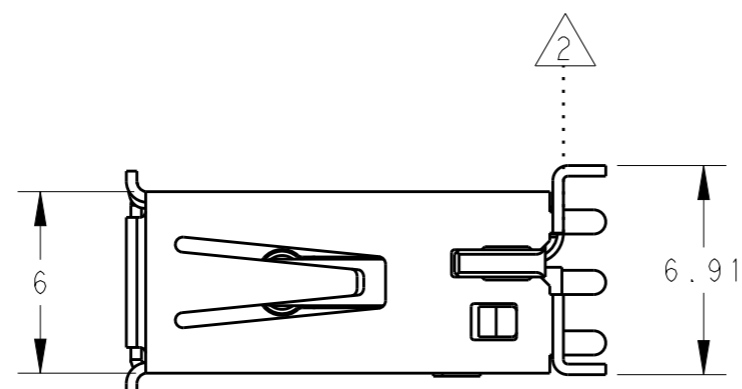
1971885-2  
TYPE II



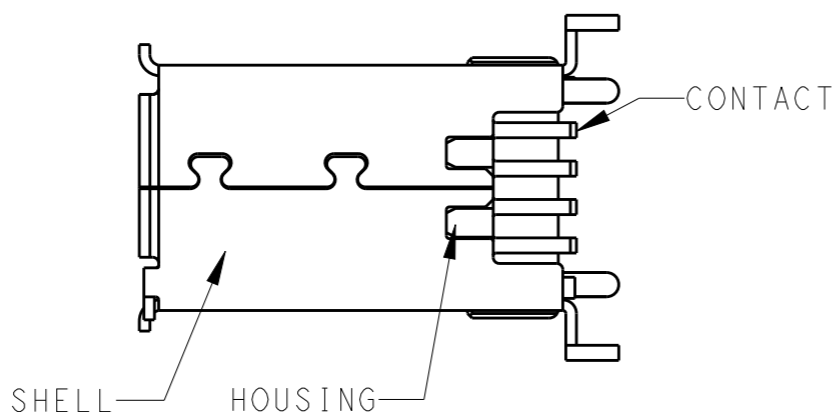
RECOMMENDED BOARD DIMENSION  
t=1.6  
SCALE 5:1  
GENERAL TOL.: ±0.1



1971885-1  
TYPE I



CIRCUIT NO



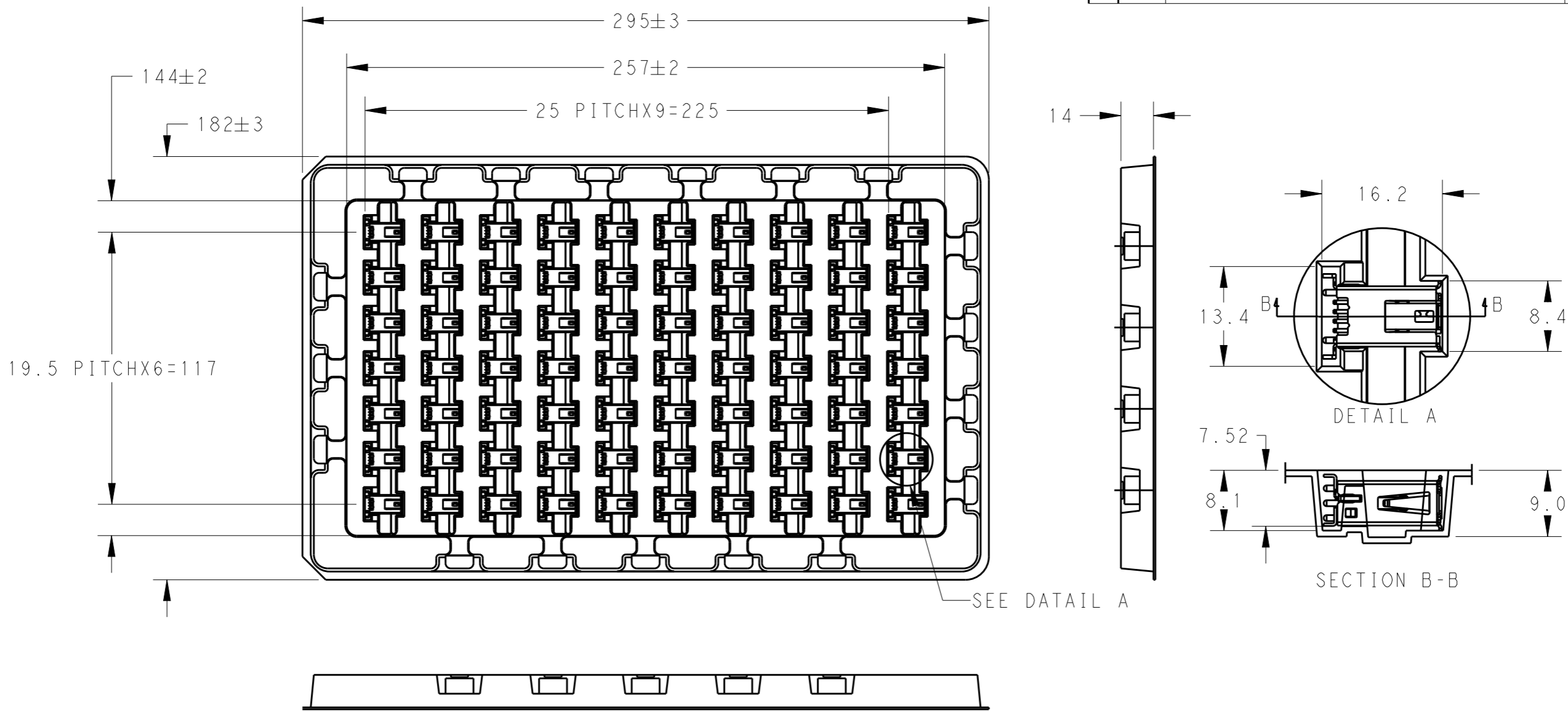
NOTES:  
 1 MATERIAL AND FINISH  
 CONTACT: COPPER ALLOY  
 UNDER ALL SURFACE NICKEL 1.27µm MIN.  
 TOP CONTACT AREA: GOLD 0.5µm MIN  
 SOLDERING AREA: TIN PLATE  
 HOUSING: THERMO PLASTIC(UL94V-0)  
 SHELL: COPPER ALLOY  
 UNDER ALL SURFACE NICKEL  
 TOP ALL SURFACE TIN  
 2 COPLANARITY 0.1 MAX  
 (IN 8 TIPS OF CONTACTS AND 4 PEGS OF SHELL)  
 3 GENERAL TOL.: ±0.3; ±5°

8	TYPE II SMT RECEPTACLE WITH CAP	1-1971885-2
8	TYPE I SMT RECEPTACLE WITH CAP	1-1971885-1
8	TYPE II SMT RECEPTACLE	1971885-2
8	TYPE I SMT RECEPTACLE	1971885-1
POS	DESCRIPTION	PART NO

THIS DRAWING IS A CONTROLLED DOCUMENT.		DWN 03MAR2013 HOWELL WANG	<b>STE</b> TE Connectivity		
DIMENSIONS: mm		CHK 03MAR2013 DAVID WANG			
TOLERANCES UNLESS OTHERWISE SPECIFIED:		APVD 03MAR2013 PETER YIN	NAME SMT VERTICAL MINI I/O RECEPTACLE 1.27mm PITCH		
0 PLC ± 1 PLC ± 2 PLC ± 3 PLC ± 4 PLC ± ANGLES ±		PRODUCT SPEC 108-106087	SIZE A3	CAGE CODE -	DRAWING NO C-1971885
MATERIAL -		FINISH -	WEIGHT -	RESTRICTED TO -	SCALE 4:1
Customer Drawing			SHEET 1 OF 3	REV A1	

THIS DRAWING IS UNPUBLISHED. RELEASED FOR PUBLICATION  
 © COPYRIGHT - BY - ALL RIGHTS RESERVED.

LOC	DIST	REVISIONS			
P	LTR	DESCRIPTION	DATE	DWN	APVD
-	-	SEE SHEET 1	-	-	-





SEE DETAIL A

SECTION B-B

NOTE:  
 4 PACKAGE:  
 70PCS PER TRAY FOR 1971885-1 & 1971885-2

PACKAGE AS SHOWN	1971885-2 1971885-1
DESCRIPTION	PART NO

THIS DRAWING IS A CONTROLLED DOCUMENT.		DWN	SEE SHEET 1	 TE Connectivity NAME SMT VERTICAL MINI I/O RECEPTACLE 1.27mm PITCH			
DIMENSIONS:		CHK	SEE SHEET 1				
mm	TOLERANCES UNLESS OTHERWISE SPECIFIED:	APVD	SEE SHEET 1				
	0 PLC ±- 1 PLC ±- 2 PLC ±- 3 PLC ±- 4 PLC ±- ANGLES ±-	PRODUCT SPEC	SEE SHEET 1				
MATERIAL	FINISH	APPLICATION SPEC	-	SIZE	CAGE CODE	DRAWING NO	RESTRICTED TO
-	-	WEIGHT	-	A3	-	©-1971885	-
Customer Drawing				SCALE	SHEET	OF	REV
				4:1	2	3	A1

4

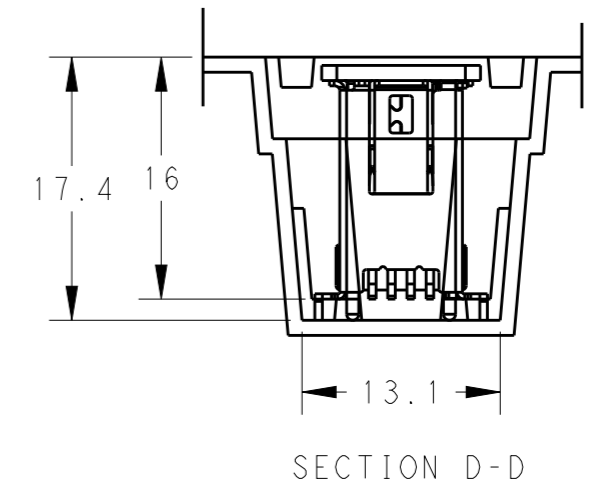
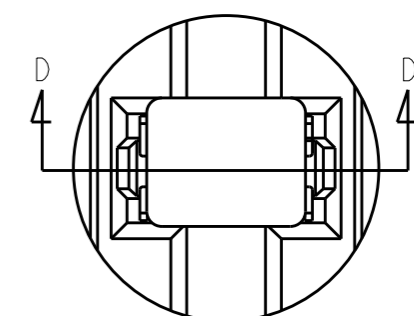
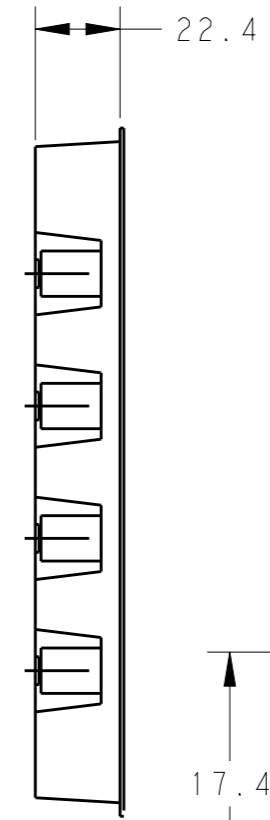
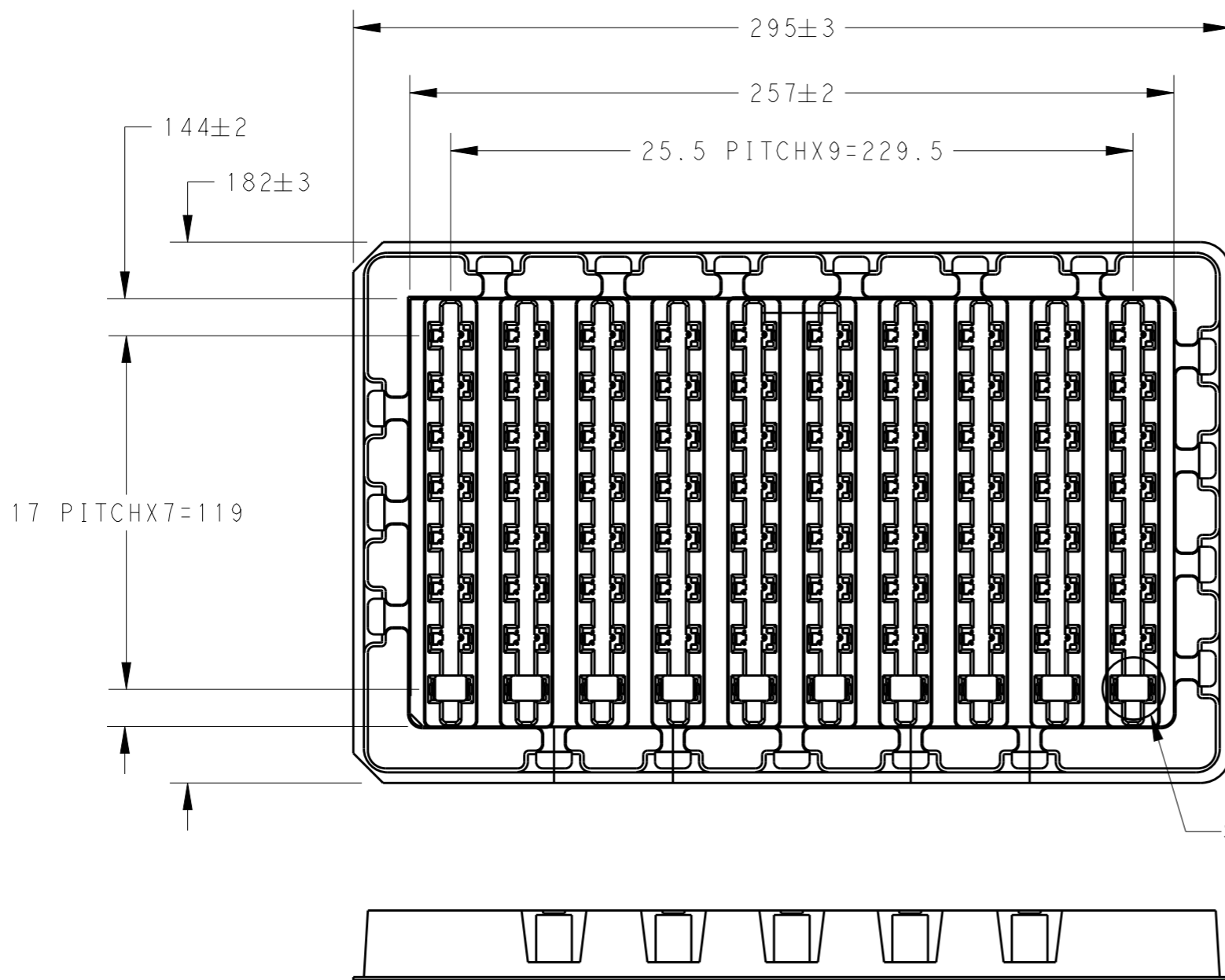
3

2

1

THIS DRAWING IS UNPUBLISHED. RELEASED FOR PUBLICATION. ALL RIGHTS RESERVED.


LOC	DIST	REVISIONS			
P	LTR	DESCRIPTION	DATE	DWN	APVD
-	-	SEE SHEET 1	-	-	-



SEE DATA C

NOTE:  
5 PACKAGE:  
80PCS PER TRAY FOR 1-1971885-1 & 1-1971885-2

PACKAGE AS SHOWN	1-1971885-2 1-1971885-1
DESCRIPTION	PART NO

THIS DRAWING IS A CONTROLLED DOCUMENT.		DWN	SEE SHEET 1	 <b>TE Connectivity</b>	NAME SMT VERTICAL MINI I/O RECEPTACLE 1.27mm PITCH
DIMENSIONS: mm		CHK	SEE SHEET 1		
TOLERANCES UNLESS OTHERWISE SPECIFIED:		APVD	SEE SHEET 1		
0 PLC ± - 1 PLC ± - 2 PLC ± - 3 PLC ± - 4 PLC ± - ANGLES ± -		PRODUCT SPEC	SEE SHEET 1		
MATERIAL	-	FINISH	-	APPLICATION SPEC	-
		WEIGHT	-	SIZE	A3
		Customer Drawing		CAGE CODE	-
				DRAWING NO	1971885
				RESTRICTED TO	-
				SCALE	-
				SHEET	3 OF 3
				REV	A1

# Mouser Electronics

Authorized Distributor

Click to View Pricing, Inventory, Delivery & Lifecycle Information:

[TE Connectivity:](#)

[1971885-1](#)