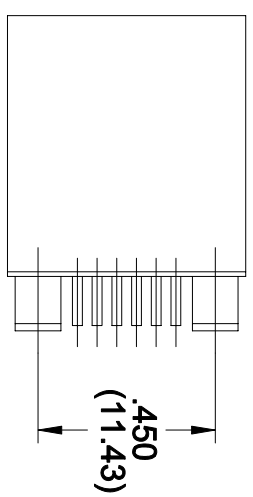
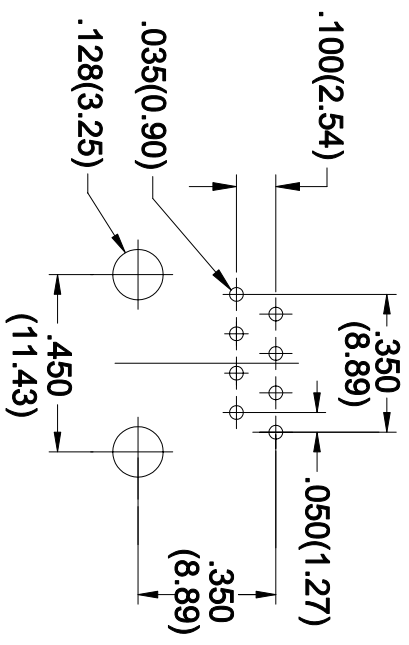
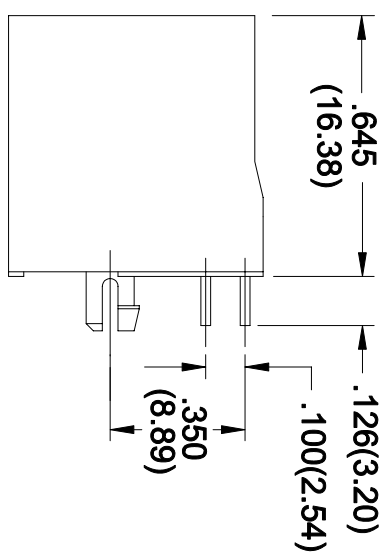
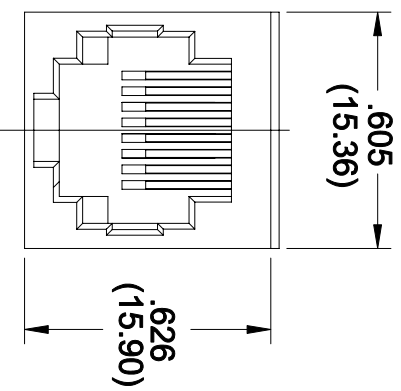
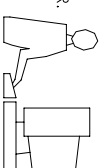


THIS IS A C.A.D. GENERATED DRAWING  
DO NOT MAKE MANUAL REVISIONS TO MASTER.



**NOTES**

**MATERIAL:**

**HOUSING: PBT POLYESTER, UL94V-0 RATED  
COLOR BLACK**

**CONTACTS: PHOSPHOR BRONZE  
30 MICROINCHES OF GOLD OVER NICKEL ON CONTACT AREA  
TIN PLATING ON TAILS**

**MODULAR JACK TOP ENTRY PCB  
8 POSITIONS**



EDAC INC  
TORONTO, ONTARIO  
CANADA

THESE DRAWINGS AND SPECIFICATIONS  
ARE THE PROPERTY OF EDAC INC. AND  
SHALL NOT BE REPRODUCED OR COPIED  
OR USED AS THE BASIS FOR THE  
MANUFACTURE OR SALE OF APPARATUS  
WITHOUT WRITTEN PERMISSION.

ACAD REFERENCE NO.	A00-108-680-450
DRAWN: F.BRIONES	DATE: JAN. 20/04
CHECKED:	DATE:
PART NUMBER	A00-108-620-450
DRAWING NUMBER	A00-108-620-450
ISSUE	