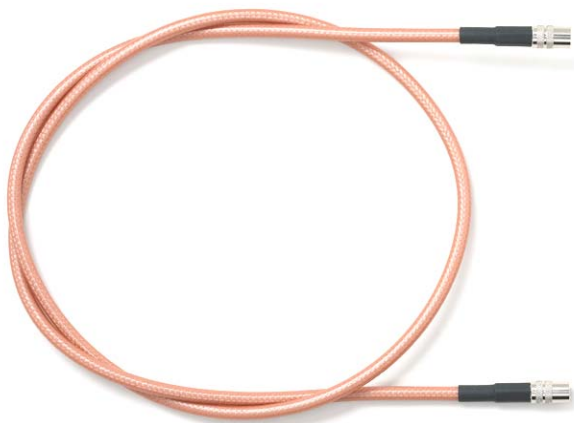
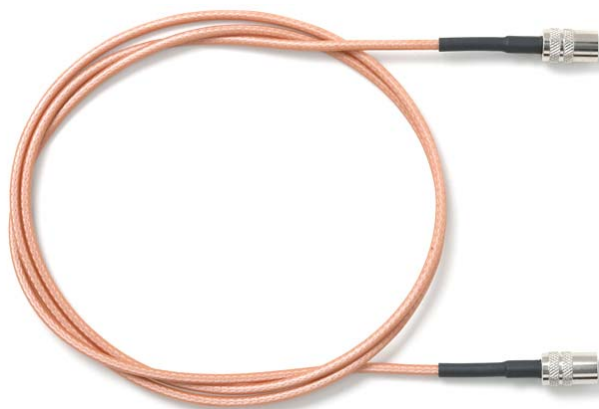


**Model 73083**

SMA Quick-Connect Plug to SMA Quick-Connect Plug, RG142B/U, RG316/U



*Model 73083-X*  
SMA Quick-Connect Plug to SMA Quick-Connect Plug,  
RG142B/U



*Model 73083-BB*  
SMA Quick-Connect Plug to SMA Quick-Connect Plug,  
RG316/U

Small size, and durability for confident connections

**Features**

- DC - 4GHz bandwidth.
- Precision machined connectors.
- Perfect for applications where space, weight, performance and ease of connections are required.

**Materials**

SMA Male Connectors:

- Center Contact: Brass, Gold Plated
- Connector Body: Brass, Nickel Plated
- Crimp Ferrule: Copper, Nickel Plated
- Insulators: PTFE

**Specifications**

| Cable Type                   | RG142B/U                                     | RG316/U                                    |
|------------------------------|--|--|
| Impedance                    | 50Ω  | 50Ω  |
| Frequency Range              | DC - 4GHz                                    | DC - 4GHz                                  |
| Capacitance per 1ft (0.305m) | 29.0 pF                                      | 29.0 pF                                    |
| Insulation Resistance        | ≥ 1000 MΩ                                    | ≥ 1000 MΩ                                  |
| Insulator Withstand          | 750V   | 750V                                       |
| Temperature Range            | -65° C to +165°C (-85°F to +329°F)           | -65° C to +165°C (-85°F to +329°F)         |
| Jacket                       | FEP  | FEP  |
| Cable O.D. (inches)          | 0.195" (4.95mm)                              | 0.098" (2.5mm)                             |
| Center Conductor (mm)        | .95 solid silver coated copper covered steel | 7 x .18 silver coated copper covered steel |

USA: Sales: 800-490-2361  
 Technical Support: [technicalsupport@pomonatest.com](mailto:technicalsupport@pomonatest.com)  
 Fax: 425-446-5844

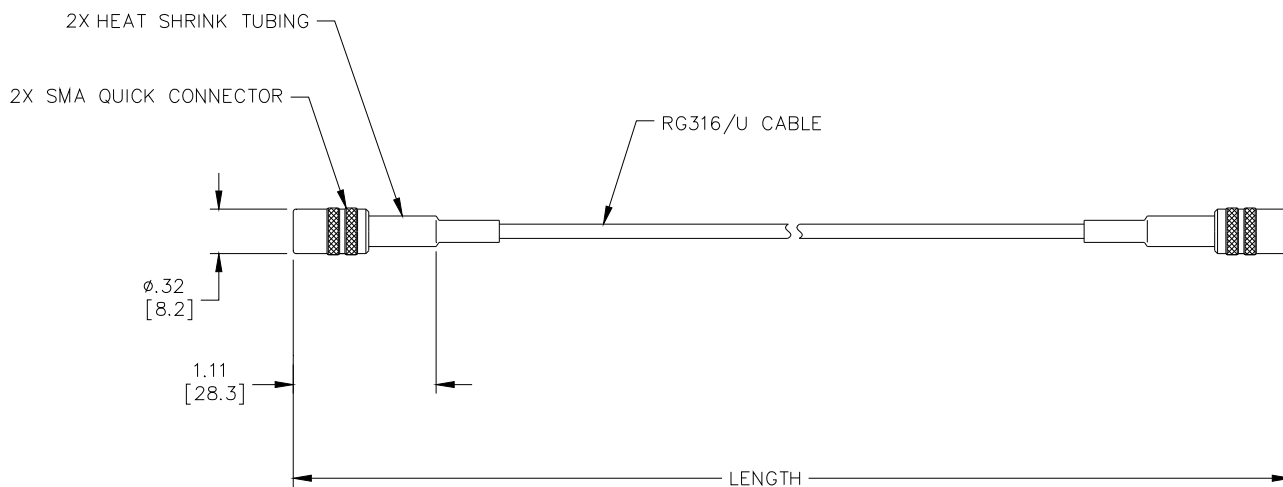
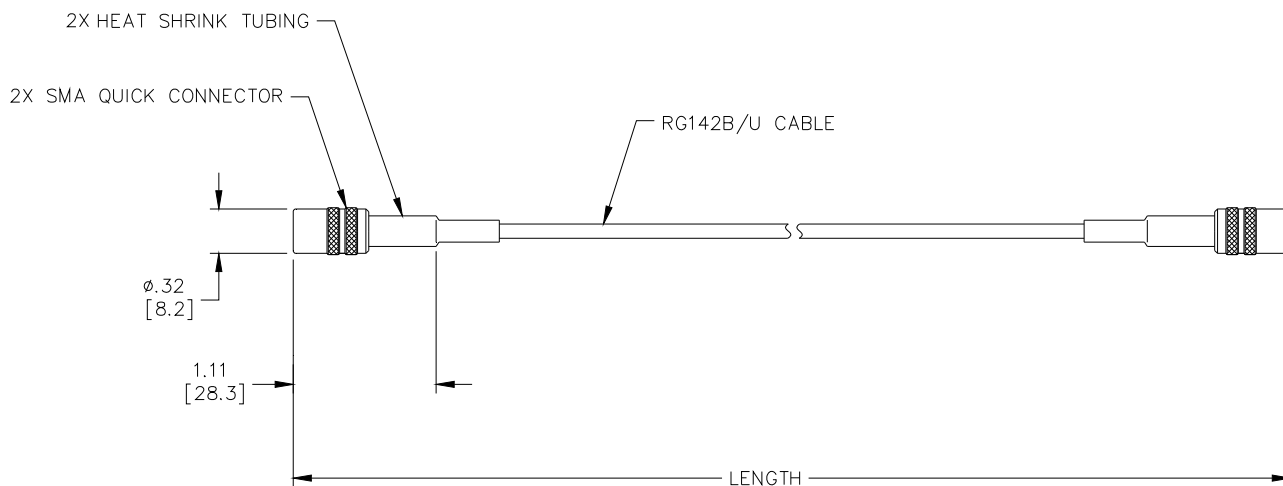
Europe: 31-(0) 40 2675 150 International: 425-446-5500

Where to Buy: [www.pomonaelectronics.com](http://www.pomonaelectronics.com)

All dimensions are in inches. Tolerances (except noted): .xx = ±.02" (.51 mm), .xxx = ± .005" (.127 mm). All specifications are to the latest revisions. Specifications are subject to change without notice. Registered trademarks are the property of their respective companies.

**Model 73083**

SMA Quick-Connect Plug to SMA Quick-Connect Plug, RG142B/U, RG316/U



**Ordering Information**

Model: **73083**

Cable Designators: **X** = RG142B/U, **BB** = RG316/U

Standard Lengths: **12", 24", 36", 48", 60"**

- 12" ± .157" (305mm ± 4mm)
- 24" ± .275" (610mm ± 7mm)
- 36" ± .394" (914mm ± 10mm)
- 48" ± .512" (1219mm ± 13mm)
- 60" ± .630" (1524mm ± 16mm)

Ordering Example: **73083-X-48**, Cable is RG142B/U with length of 48" (1219mm)

**USA:** Sales: 800-490-2361  
 Technical Support: [technicalsupport@pomonatest.com](mailto:technicalsupport@pomonatest.com)  
 Fax: 425-446-5844

**Europe:** 31-(0) 40 2675 150 **International:** 425-446-5500

**Where to Buy:** [www.pomonaelectronics.com](http://www.pomonaelectronics.com)

All dimensions are in inches. Tolerances (except noted): .xx = ±.02" (.51 mm), .xxx = ±.005" (.127 mm). All specifications are to the latest revisions. Specifications are subject to change without notice. Registered trademarks are the property of their respective companies.

# Mouser Electronics

Authorized Distributor

Click to View Pricing, Inventory, Delivery & Lifecycle Information:

Pomona:

[73083-BB-60](#) [73083-BB-24](#) [73083-BB-12](#) [73083-X-60](#) [73083-BB-36](#) [73083-X-24](#) [73083-BB-48](#) [73083-X-48](#)  
[73083-X-36](#) [73083-X-12](#)