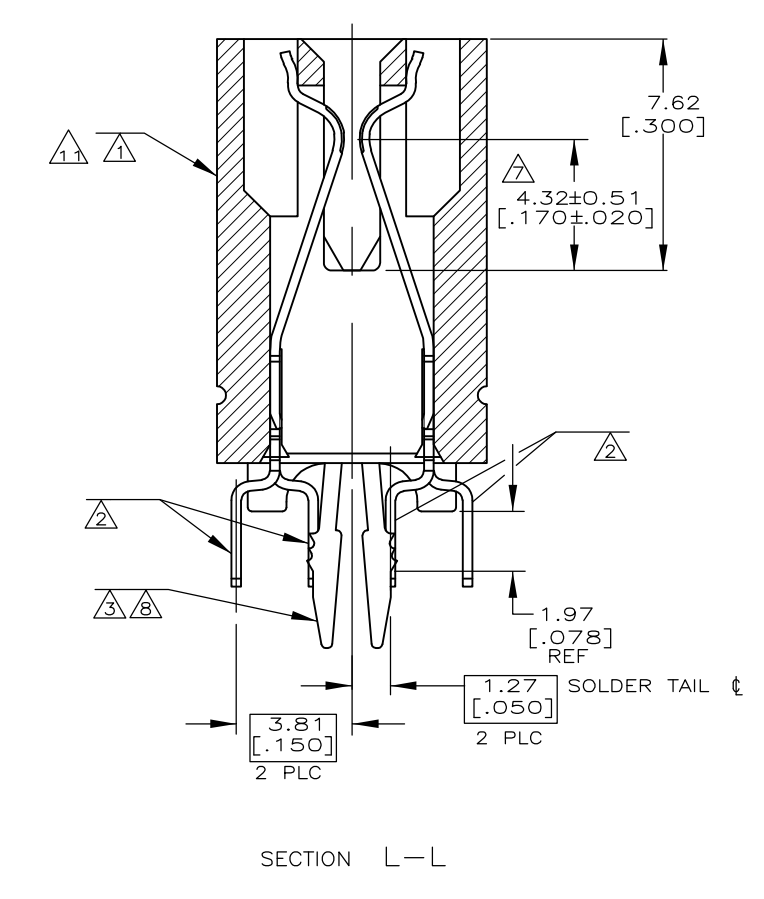
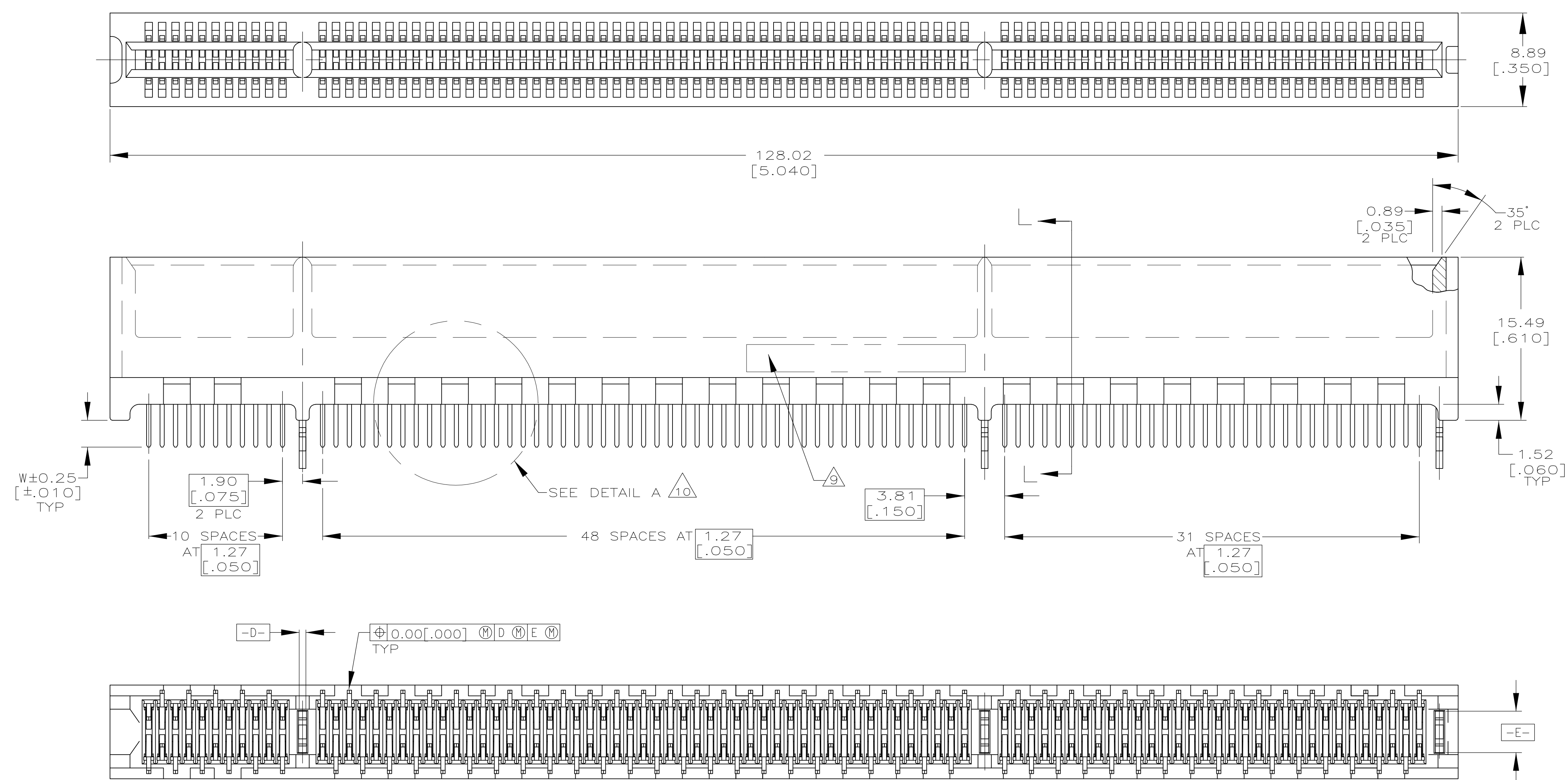
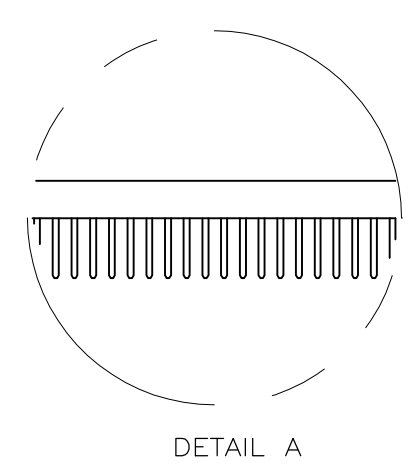


LOC		DIST		REVISIONS			
P	LTR	DESCRIPTION	DATE	DMN	APVD		
M		REV PER ECO-07-006121	15JUN07	JRP	AWF		
M1		REVISED PER ECO-09-021826	11SEP09	KK	AEG		



SEE SHEET 2 FOR HOLE PATTERN

- △ HOUSING: HIGH TEMPERATURE THERMOPLASTIC. COLOR - NATURAL
- △ CONTACT: PHOSPHOR BRONZE.
- △ METAL HOLD DOWN: BRASS
- △ CONTACT FINISH: .001269[.000050] MIN NICKEL ALL OVER. GOLD FLASH OVER NICKEL IN CONTACT AREA. .002537[.000100] MIN TIN-LEAD OVER NICKEL ON SOLDER TAILS.
- △ CONTACT FINISH: .001269[.000050] MIN NICKEL ALL OVER. .000375[.000015] GOLD OVER NICKEL IN CONTACT AREA. .002537[.000100] MIN TIN-LEAD OVER NICKEL ON SOLDER TAILS.
- △ CONTACT FINISH: .001269[.000050] MIN NICKEL ALL OVER. .000757[.000030] GOLD OVER NICKEL IN CONTACT AREA. .002537[.000100] MIN TIN-LEAD OVER NICKEL ON SOLDER TAILS.
- △ DISTANCE FROM CONTACT POINT TO BOTTOM OF CARD SLOT.
- △ METAL HOLD DOWN FINISH: .001269[.000050] MIN NICKEL ALL OVER. .003809[.000150] MIN TIN-LEAD ALL OVER.
- △ AMP PART NUMBER, DATE CODE AND CSA LOGO MARKED IN APPROXIMATE LOCATION SHOWN.
- △ CORED OR SOLID SIDE WALLS ARE AT DISCRETION OF AMP INCORPORATED.
- △ HOUSING: HIGH TEMPERATURE THERMOPLASTIC. COLOR - GREEN, PANTONE COLORS 355C OR 365C
- △ CONTACT FINISH: .001269[.000050] MIN NICKEL ALL OVER. .000757[.000030] GOLD OVER NICKEL IN CONTACT AREA. .002537[.000100] MIN TIN OVER NICKEL ON SOLDER TAILS.
- △ OBSOLETE PARTS: OBSOLETE CIS STREAMLINING PER D.RENAUD/D.SINISI



SUPERSEDED BY 5145168-8	△ 3.18 [.125]	△ 9-145168-0
△ OBSOLETE	△ 3.18 [.125]	△ 2-145168-8
	△ 3.56 [.140]	△ 1-145168-2
	△ 3.18 [.125]	△ 145168-8
	△ 2.54 [.100]	△ 145168-4
OBSOLETE	△ 2.54 [.100]	△ 145168-3
△ SUPERSEDED BY 5145168-2	△ 2.54 [.100]	△ 145168-2
	△ 2.54 [.100]	△ 145168-1
HSG MATL	W	FINISH
		PART NUMBER

THIS DRAWING IS A CONTROLLED DOCUMENT.

APVD: M BOWERS

DATE: 6/12/95

NAME: M BOWERS

PRODUCT SPEC: 108-14034

APPLICATION SPEC: 114-26012

SIZE: A1

SCALE: 4:1

SHEET: 1 OF 2

REV: M1

RESTRICTED TO: CUSTOMER DRAWING

TYCO ELECTRONICS CORPORATION

CONNECTOR ASSEMBLY, 92 DUAL POSITION, 1.27 [.050] SERIES.

145168



# Mouser Electronics

Authorized Distributor

Click to View Pricing, Inventory, Delivery & Lifecycle Information:

[TE Connectivity:](#)

[1-145168-2](#)