

Faceplates MA Part number 89750161



- IP67 : sealing on front panel, panel-mounting of the Millenium 3
- .IP40 : direct access to the front of the controller, possibility of labelling (laser marking)

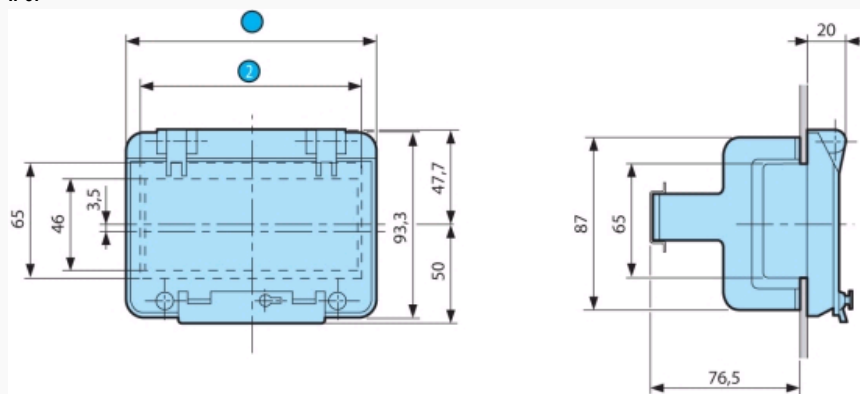
Part numbers

Type	Description
89750161	MA IP67 sealed faceplate for the following products : - XD10 + XR06 or XN03 or XN05 or XA04- CD20 or XD26- XD10 + XN03 or XN05 + XR06 or XA04- XD10 + XR10 or XR14

Specifications

Dimensions (mm)

IP67



N°	Legend
①	88750160 = 91 88750161 = 162 88750162 = 257.4
②	88750160 = 76.5 88750161 = 147.5 88750162 = 248.5

Mouser Electronics

Authorized Distributor

Click to View Pricing, Inventory, Delivery & Lifecycle Information:

[Crouzet:](#)

[89750161](#)