

4

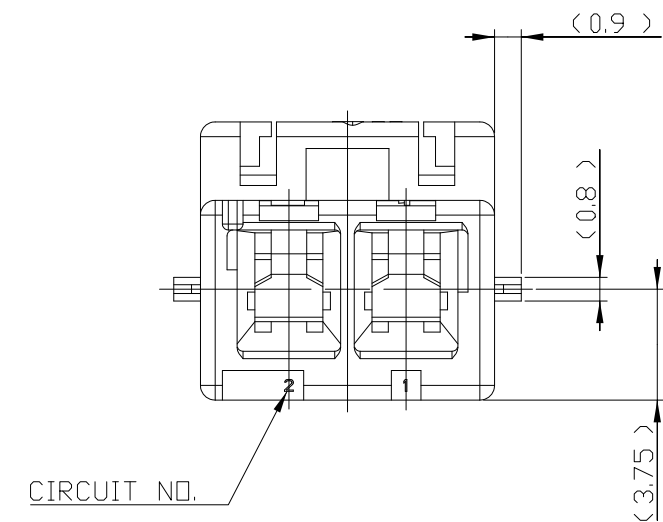
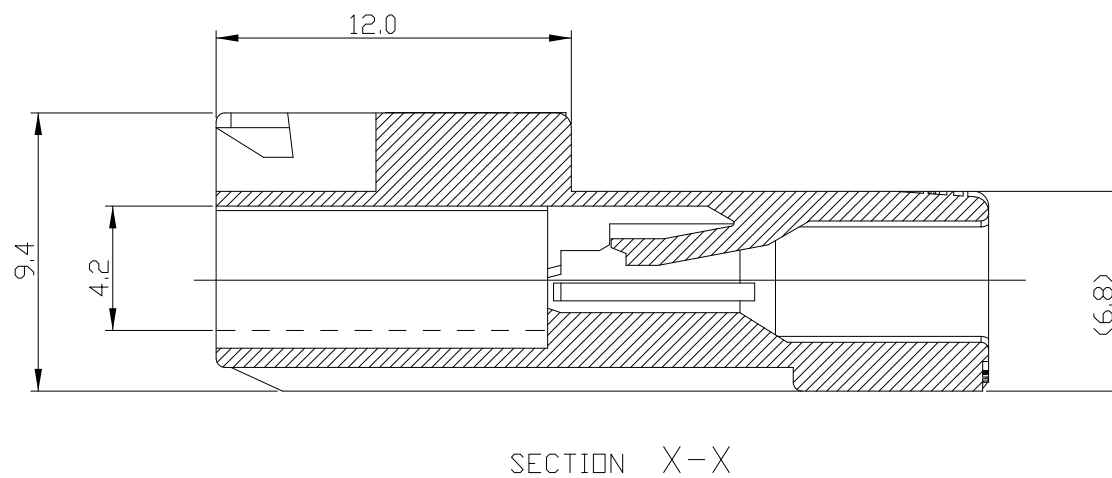
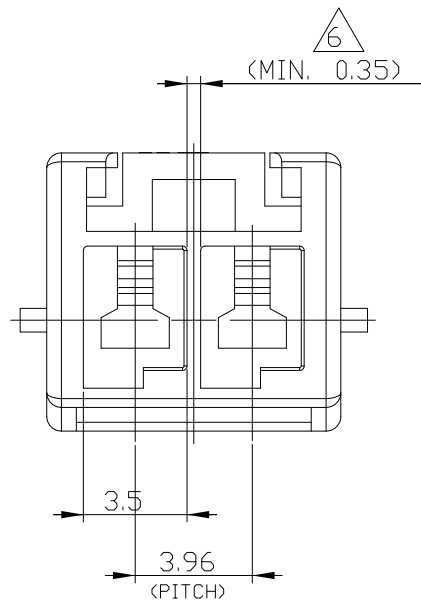
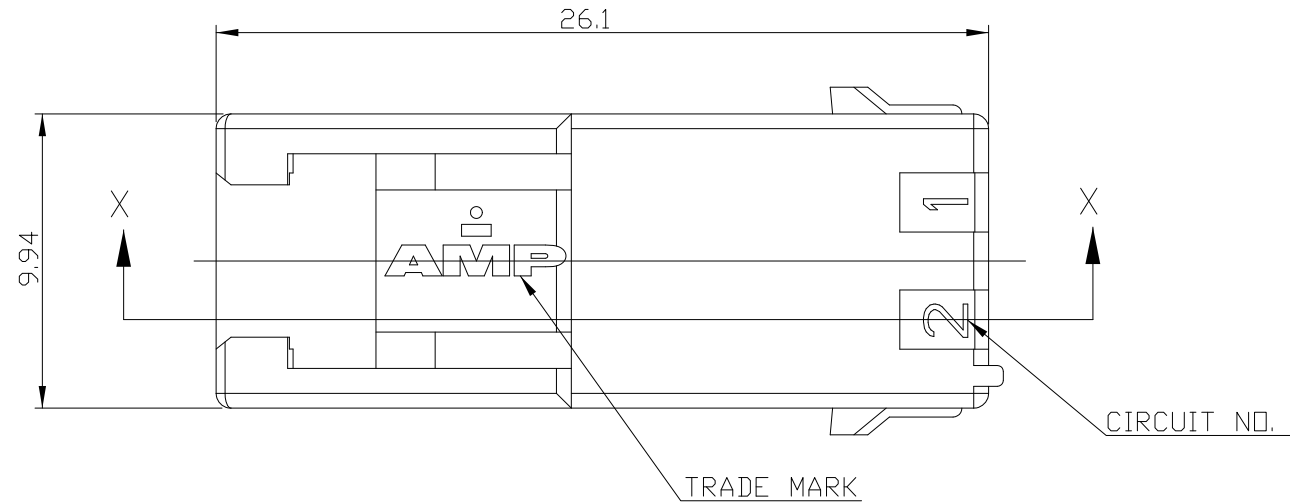
3

2

1

THIS DRAWING IS UNPUBLISHED. RELEASED FOR PUBLICATION 20  
© COPYRIGHT 20 BY TYCO ELECTRONICS CORPORATION. ALL RIGHTS RESERVED.

LOC	DIST	REVISIONS			
P	LTR	DESCRIPTION	DATE	DWN	APVD
DS	-	A	RELEASED	29.MAY'09	SC JK



NOTE;  
 1.APPLICABLE CONTACT P/N  
 -TAB CONTACT:177917- □(AWG#16-#20)  
 177916- □(AWG#22-#26)  
 2.MATING CONN.P/N  
 -PLUG HSG:2005247- □  
 -REC CONTACT:177915- □(AWG#16-#20)  
 :177914- □(AWG#22-#26)  
 3.APPLICABLE DOUBLE LOCK PLATE:  
 177918-1(V-0) / □-368590-1(V-2,GWT)  
 \*IT SHOULD BE USED CERTAINLY WHEN CABLE ASS'Y  
 4.GENERAL TOLERANCES:±0.3  
 5.ACCORDING TO IEC 60335-1 4.2 EDITION  
 -PART MEETS GWT 750°C,850°C.  
 -MATERIAL MEETS BALL PRESSURE TESTING AT 125°C.  
 -MATERIAL HAS CTI VALUE OF 250V.  
 6.MIN.THICKNESS OF INSULATING WALL

2005248-9	BLACK
2005248-6	BLUE
2005248-4	YELLOW
2005248-2	RED
2005248-1	NATURAL
P/N	COLOR

DIMENSIONS:		TOLERANCES UNLESS OTHERWISE SPECIFIED		DWN		Tyco Electronics		AMP KOREA	
mm		0 PLC	±-	SC KIM	NAME	Kyungsan, Korea			
		1 PLC	±0.1	CHK	BW KANG				
		2 PLC	±0.01	APVD	JK SONG				
		3 PLC	±0.001	PRODUCT SPEC	108-61106				
		4 PLC	±0.0001	APPLICATION SPEC	-	SIZE	CAGE CODE	DRAWING NO	RESTRICTED TO
		ANGLES	±-	WEIGHT	-	A3	00779	2005248	-
MATERIAL	FINISH			CUSTOMER DRAWING		SCALE	SHEET	OF	REV
PA66(UL94V-0)	-					4:1	1	1	A

# Mouser Electronics

Authorized Distributor

Click to View Pricing, Inventory, Delivery & Lifecycle Information:

[TE Connectivity:](#)

[2005248-6](#)