

THIS DRAWING IS UNPUBLISHED. RELEASED FOR PUBLICATION
 © COPYRIGHT - By - ALL RIGHTS RESERVED.

LOC		DIST		REVISIONS			
P	LTR	DESCRIPTION		DATE	DWN	APVD	
	Z2	REVISED PER ECO-11-004587		11MAR11	RK	HMR	

- FOR ADDITIONAL SPECIFICATIONS SEE AMP PRODUCT SPEC 108-7519.
- SWITCH HAS MAKE-BEFORE-BREAK OPERATION.
- ALL CHARACTERS AND ROCKERS ARE WHITE, HOUSING IS BLACK.
- STAMPING WILL VARY ON 2 POSITION SIDES DUE TO SPACE RESTRICTIONS.
- $\triangle 5$.315 DIMENSION APPLIES AT TERMINAL TIPS. TERMINALS ARE $.300 \begin{smallmatrix} +.010 \\ -.000 \end{smallmatrix}$ AT MOUNTING SURFACE.
- SWITCH POSITIONS ARE CLOSED WHEN ROCKERS ARE DOWN TOWARD DOTS.
- $\triangle 7$ ALL MATERIALS AND FINISHES SHALL COMPLY WITH EU DIRECTIVE 2002/95/EC OF 27JAN2003 (ROHS).
- $\triangle 8$ OBSOLETE PARTS: OBSOLETE CIS STREAMLINING PER D.RENAUD/D.SINISI

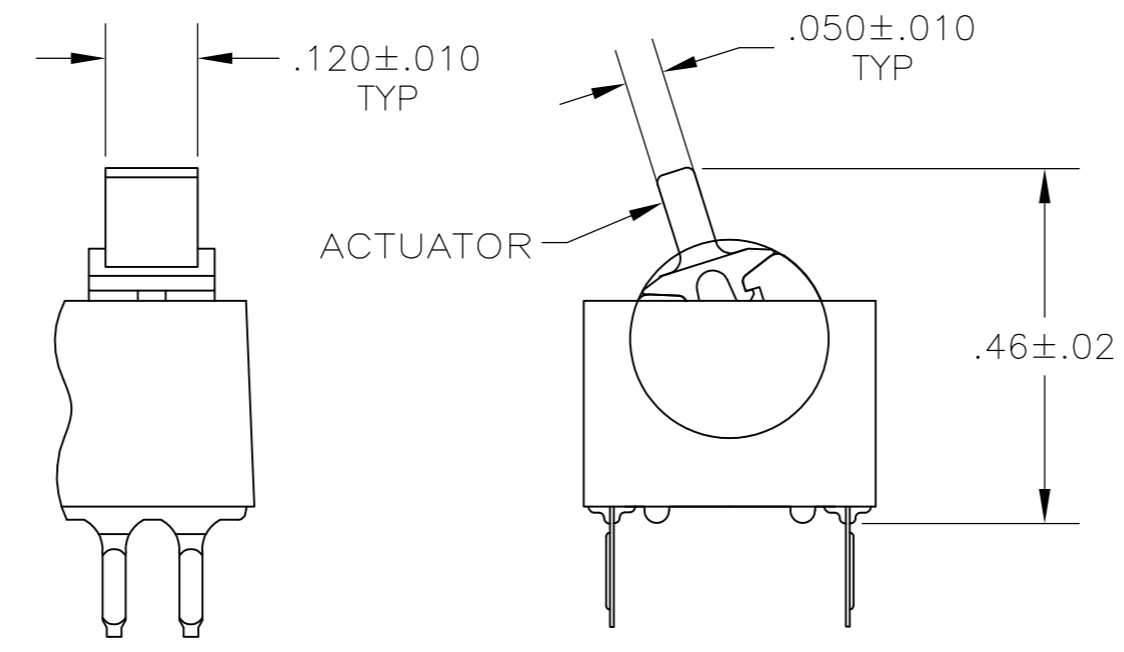
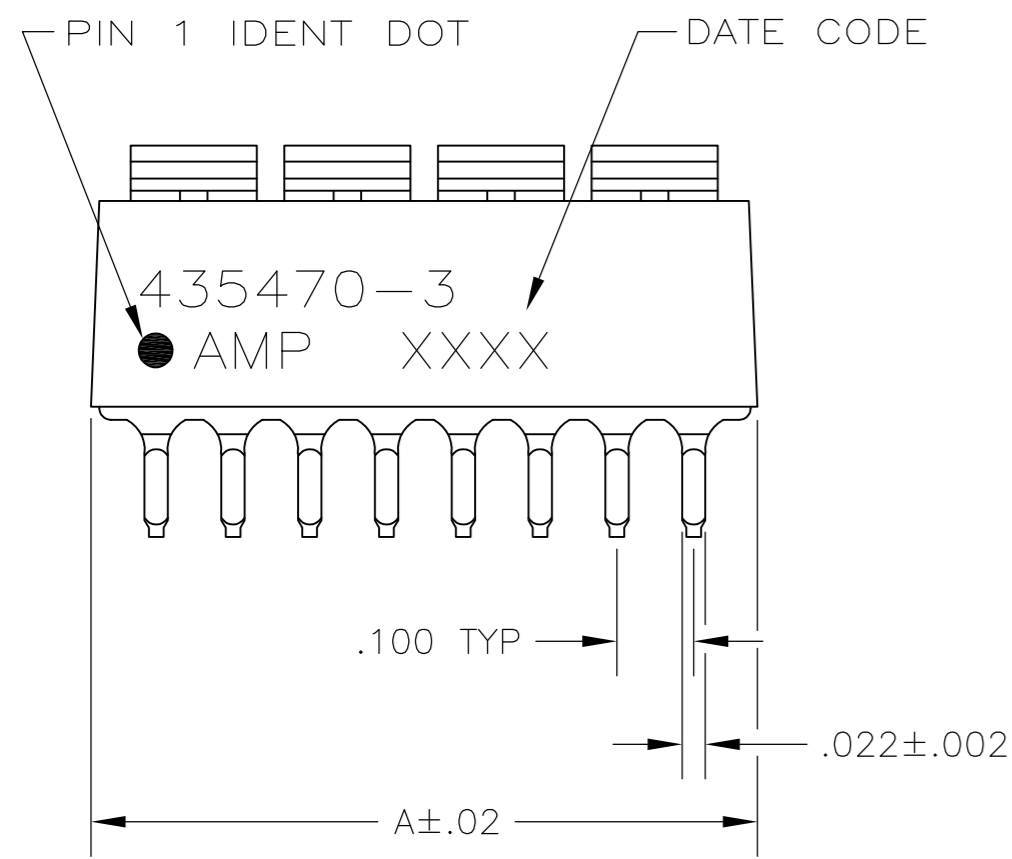
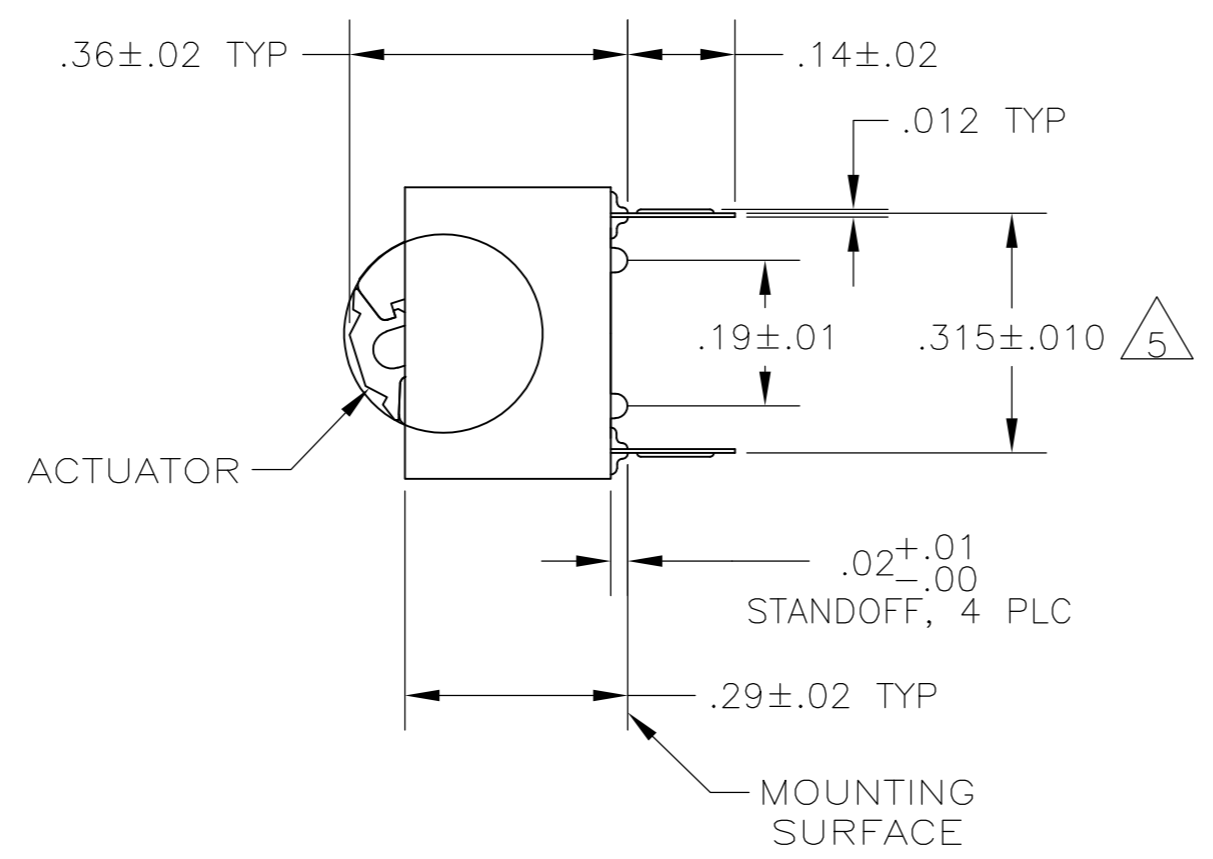
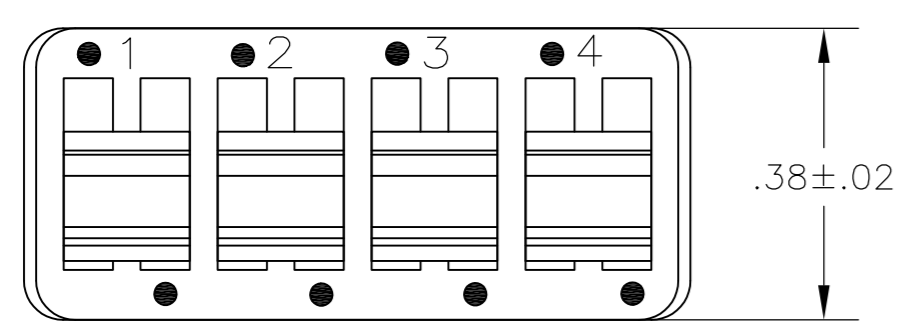


FIGURE 1
LEVER ACTUATOR SHOWN

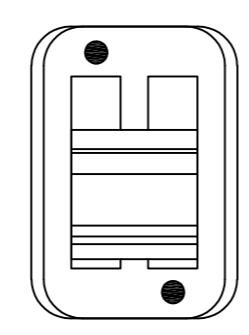
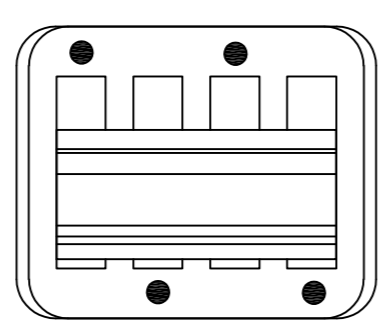
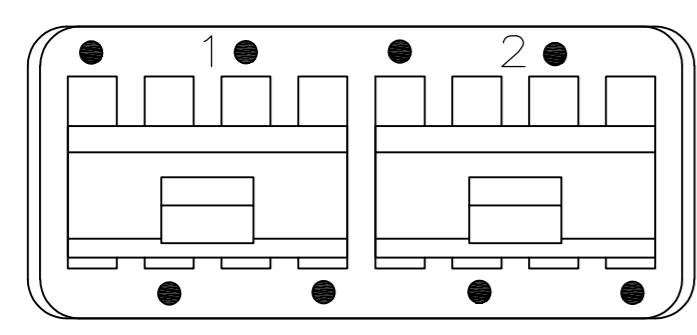
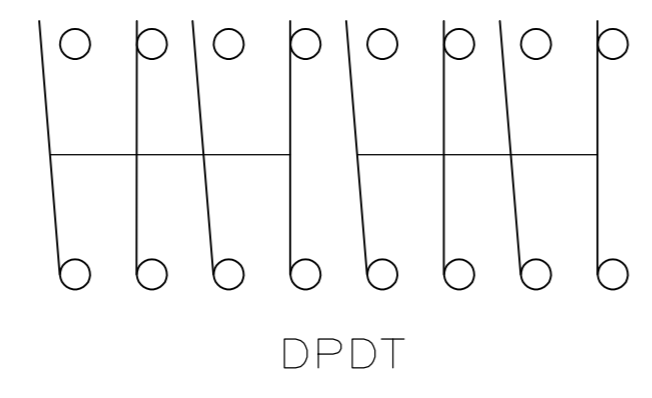
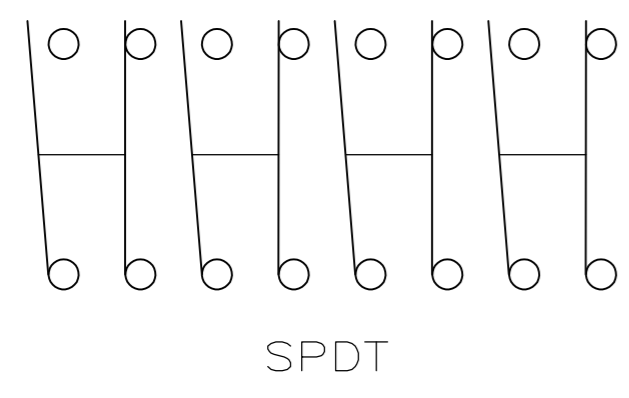


FIGURE 2

FIGURE 3

FIGURE 4



SPDT

DPDT

CONTACT ARRANGEMENT

	FIG 1	FIG 3					
$\triangle 8$ OBSOLETE	FIG 1	FIG 3	.48	DPDT	4	8-435470-1	$\triangle 8$
	-FIG 1	AS SHOWN	1.28	SPDT	12	7-435470-6	$\triangle 8$
	-FIG 1	AS SHOWN	1.08	SPDT	10	7-435470-5	$\triangle 8$
	-FIG 1	AS SHOWN	.88	SPDT	8	7-435470-4	$\triangle 8$
	-FIG 1	AS SHOWN	.48	SPDT	4	7-435470-2	$\triangle 8$
$\triangle 8$ OBSOLETE	FIG 1	FIG 4	.28	SPDT	2	7-435470-1	$\triangle 8$
	AS SHOWN	FIG 2	.88	DPDT	8	5-435470-9	$\triangle 8$
	AS SHOWN	FIG 4	.28	SPDT	2	5-435470-7	$\triangle 8$
	AS SHOWN	FIG 3	.48	DPDT	4	5-435470-5	$\triangle 8$
	AS SHOWN	AS SHOWN	.88	SPDT	8	5-435470-3	$\triangle 8$
	AS SHOWN	AS SHOWN	.68	SPDT	6	5-435470-2	$\triangle 8$
$\triangle 8$ OBSOLETE	AS SHOWN	AS SHOWN	.48	SPDT	4	5-435470-1	$\triangle 8$
$\triangle 8$ OBSOLETE	FIG 1	FIG 2	1.28	DPDT	12	3-435470-3	
	FIG 1	FIG 2	.88	DPDT	8	3-435470-2	
	FIG 1	FIG 3	.48	DPDT	4	3-435470-1	
$\triangle 8$ OBSOLETE	FIG 1	NONE	.88	SPDT	8	2-435470-7	
	-FIG 1	AS SHOWN	1.28	SPDT	12	2-435470-6	
	-FIG 1	AS SHOWN	1.08	SPDT	10	2-435470-5	
	FIG 1	AS SHOWN	.88	SPDT	8	2-435470-4	
$\triangle 8$ OBSOLETE	FIG 1	AS SHOWN	.68	SPDT	6	2-435470-3	
	-FIG 1	AS SHOWN	.48	SPDT	4	2-435470-2	
	-FIG 1	FIG 4	.28	SPDT	2	2-435470-1	
	AS SHOWN	FIG 2	.88	DPDT	8	435470-9	
SUPERSEDED BY 2-435470-6	AS SHOWN	AS SHOWN	1.28	SPDT	12	435470-8	
	AS SHOWN	FIG 4	.28	SPDT	2	435470-7	
	AS SHOWN	FIG 3	.48	DPDT	4	435470-5	
SUPERSEDED BY 2-435470-5	AS SHOWN	AS SHOWN	1.08	SPDT	10	435470-4	
	AS SHOWN	AS SHOWN	.88	SPDT	8	435470-3	
	AS SHOWN	AS SHOWN	.68	SPDT	6	435470-2	
435470-3 SHOWN	$\triangle 8$ OBSOLETE	AS SHOWN	.48	SPDT	4	435470-1	

THIS DRAWING IS A CONTROLLED DOCUMENT.		DWN R.TALLEY 15MAR90		
DIMENSIONS: INCHES		CHK R.MILLER 27MAR90		
TOLERANCES UNLESS OTHERWISE SPECIFIED:		APVD H.LEITER 27MAR90	NAME	
0 PLC ± - 1 PLC ± - 2 PLC ± - 3 PLC ± .005 4 PLC ± - ANGLES ± -		PRODUCT SPEC	SWITCH ASSY, DIP, TYPE C, 7000 SERIES, SPDT & DPDT	
MATERIAL: HOUSING & ROCKER; POLYESTER		APPLICATION SPEC	SIZE A2	CAGE CODE 00779
CONTACTS; BERYLLIUM COPPER		FINISH: CONTACTS; PLATED .00030 MIN GOLD IN CONTACT AREA OVER .00050 MIN NICKEL.	DRAWING NO C=435470	RESTRICTED TO
CUSTOMER DRAWING		WEIGHT -	SCALE 4:1	SHEET 1 of 1
			REV Z2	

Mouser Electronics

Authorized Distributor

Click to View Pricing, Inventory, Delivery & Lifecycle Information:

[TE Connectivity:](#)

[435470-2](#)