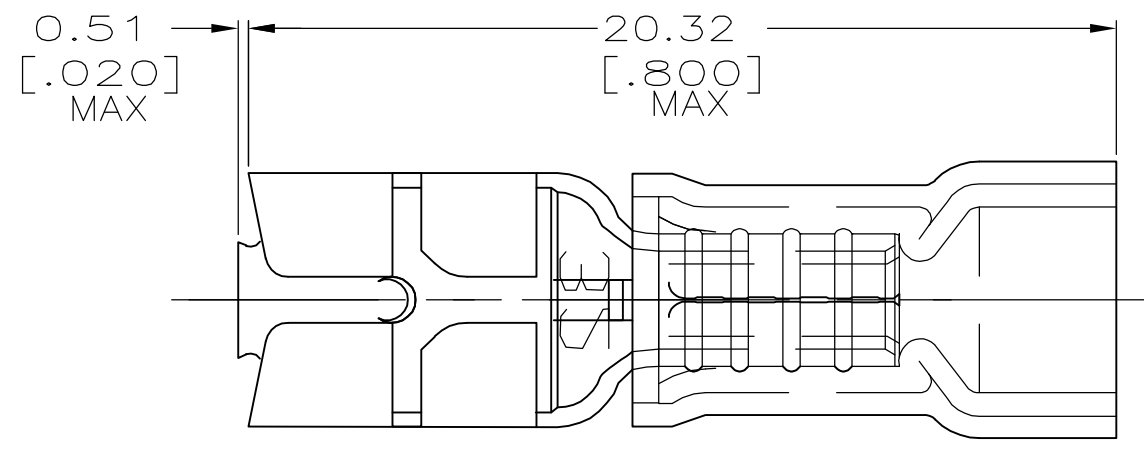


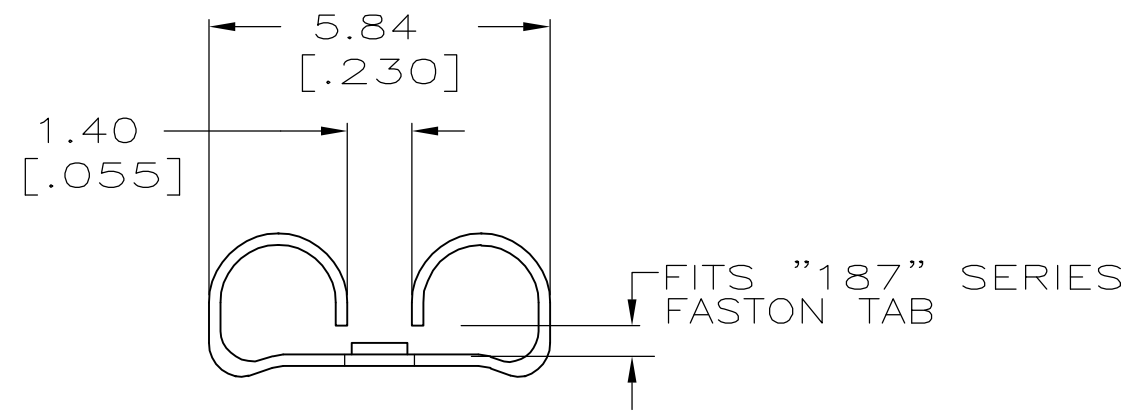
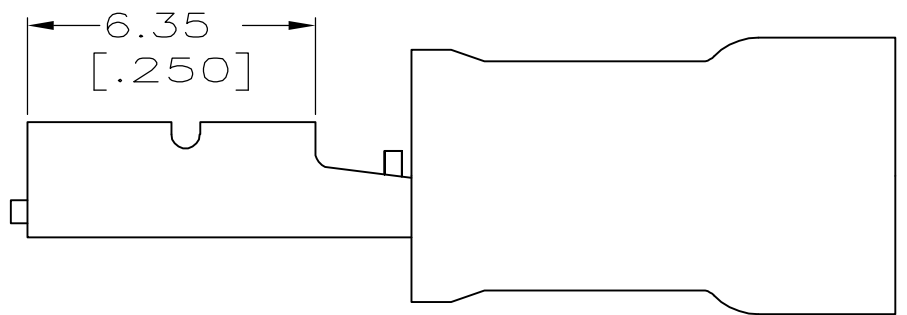
THIS DRAWING IS UNPUBLISHED. RELEASED FOR PUBLICATION
 © COPYRIGHT BY TYCO ELECTRONICS CORPORATION. ALL RIGHTS RESERVED.

| LOC | DIST | REVISIONS | | | | | |
|-----|------|-----------|-----|-----------------------|---------|-----|------|
| G | 14 | P | LTR | DESCRIPTION | DATE | DWN | APVD |
| | | | E3 | REV PER ECR 07-006476 | 20MAR07 | JR | TM |

AMP
 WIRE SIZE
 22-18 AWG
 STRANDED



- 1. INSULATION DIA 3.43 [.135] MAX
- 2. FITS TAB 0.81 [.032] THK
- 3 EASIER INSERTION
- 4 PRELIMINARY - NOT FOR PRODUCTION



| 4000 | PVC, BLACK | ON TAPE, REEL | 4 | 2-184268-2 |
|------|--------------------|---------------|---------|------------|
| 1000 | PVC, BLACK | LOOSE PIECE | 4 | 2-184268-1 |
| 4000 | NYLON, RED | ON TAPE, REEL | 4 | 1-184268-2 |
| 1000 | NYLON, RED | LOOSE PIECE | 4 | 1-184268-1 |
| 4000 | NYLON, RED | TAPE MOUNTED | | 184268-2 |
| 1000 | NYLON, RED | LOOSE PIECE | | 184268-1 |
| QTY | SLEEVE MATL./COLOR | PACKAGE TYPE | PART NO | |

| | | | | |
|---|--|----------------------|---|-----------------|
| THIS DRAWING IS A CONTROLLED DOCUMENT. | | DWN L OLMEDA 29MAY96 | Tyco Electronics Corporation Harrisburg, PA 17105-3608 | |
| DIMENSIONS: mm | | CHK M ELLIS 29MAY96 | | |
| TOLERANCES UNLESS OTHERWISE SPECIFIED: | | APVD B BARE 29MAY96 | NAME | |
| 0 PLC ± - 1 PLC ± - 2 PLC ± 0.38 [.015] 3 PLC ± - 4 PLC ± - ANGLES ± - | | PRODUCT SPEC | RECEPTACLE, 187 SERIES, LOW INSERTION FORCE, FASTON, PIDG, WIRE SIZE: 22-18 AWG | |
| MATERIAL BODY, BRASS .016 | | FINISH BODY, TIN | SIZE A3 | CAGE CODE 00779 |
| | | WEIGHT - | DRAWING NO C-184268 | RESTRICTED TO - |
| CUSTOMER DRAWING | | | SCALE 1:1 | SHEET 1 OF 1 |
| | | | REV E3 | |

Mouser Electronics

Authorized Distributor

Click to View Pricing, Inventory, Delivery & Lifecycle Information:

[TE Connectivity:](#)

[184268-2](#)