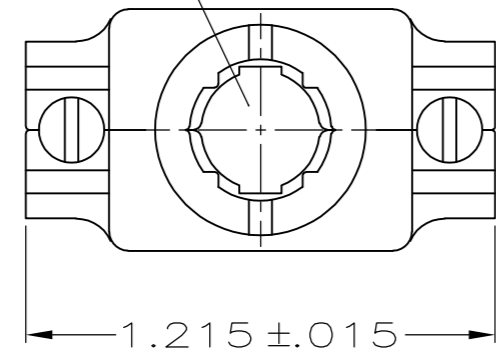


THIS DRAWING IS UNPUBLISHED. RELEASED FOR PUBLICATION
 © COPYRIGHT - By - ALL RIGHTS RESERVED.

LOC		DIST		REVISIONS			
P	LTR	DESCRIPTION		DATE	DWN	APVD	
	A1	REVISED PER ECO-11-005033		23MAR11	RK	HMR	

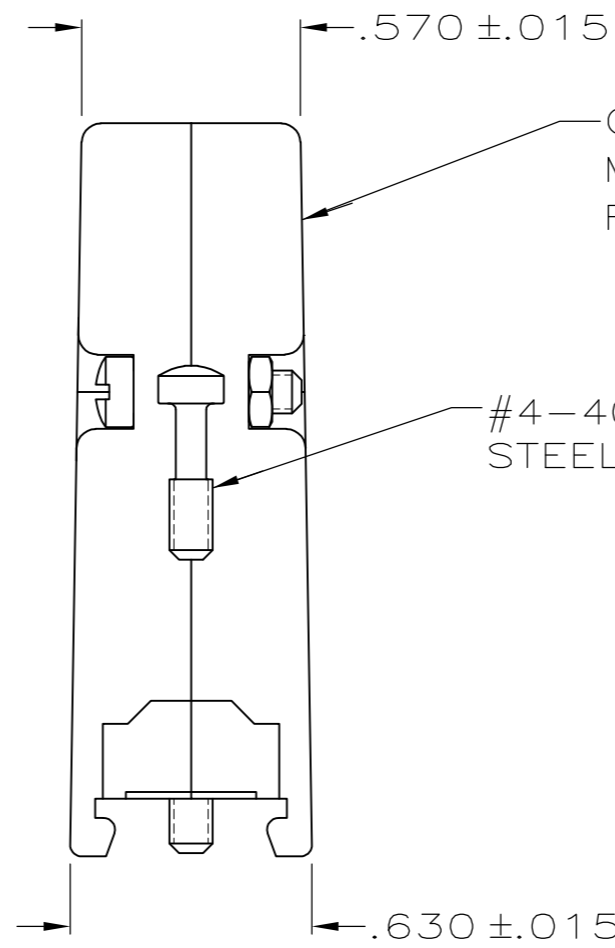
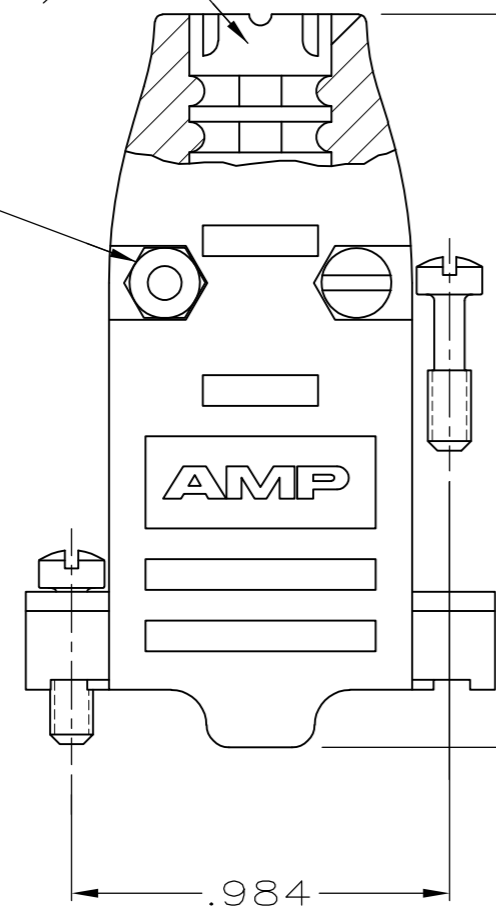
1. ALL PARTS PACKAGED UNASSEMBLED.
- ② AS SHOWN, THIS KIT CONSISTS OF 2 STRAIN RELIEF HALVES, 2 #4-40 SCREWS, 2 #4-40 NUTS & 2 #4-40 MOUNTING SCREWS.
- ③ SAME AS SHOWN, EXCEPT: EACH PART IS INDIVIDUALLY BULK PACKED FOR MULTIPLE KIT ORDERS.
- ④ ZINC PLATED .000200-.000400 THICK, CLEAR CHROMATE COATING.
- ⑤ OBSOLETE.

OPENING FOR CABLE
(SEE DASH NO FOR DIA)



SIZE IDENTIFICATION
LETTER MOLDED HERE
(SEE TABLE)

#4-40 FILLISTER HEAD
STEEL SCREW & HEX NUT,
2 EACH REQD. ④



CABLE CLAMP
MATERIAL: FLAME RETARDANT THERMOPLASTIC
FINISH: BRIGHT NICKEL OVER BRIGHT COPPER

#4-40 FILLISTER HEAD SCREW
STEEL, 2 REQD. ④

A	.200	-	5745854-5
C	.250	-	5745854-3
H	.370	5745854-2 ⑤	5745854-1
SIZE IDENT LETTER	CABLE DIA	BULK PACKED KIT NO ③	INDIVIDUAL KIT NO ②

THIS DRAWING IS A CONTROLLED DOCUMENT.		DWN B. MCMASTER 04AUG05	TE TE Connectivity	
DIMENSIONS: INCHES		CHK C. ROHDE 04AUG05		
TOLERANCES UNLESS OTHERWISE SPECIFIED:		APVD M. WALMSLEY 04AUG05	NAME CABLE CLAMP KIT, SIZE 1, 9 POSN, 180 DEGREES, PLATED PLASTIC, AMPLIMITE	
0 PLC ± - 1 PLC ± - 2 PLC ± - 3 PLC ± .005 4 PLC ± - ANGLES ± -		PRODUCT SPEC -	RESTRICTED TO -	
MATERIAL SEE CALLOUT		FINISH SEE CALLOUT	WEIGHT -	SIZE A2
CUSTOMER DRAWING		SCALE 2:1	SHEET 1 of 1	REV A1

Mouser Electronics

Authorized Distributor

Click to View Pricing, Inventory, Delivery & Lifecycle Information:

[TE Connectivity:](#)

[5745854-1](#)