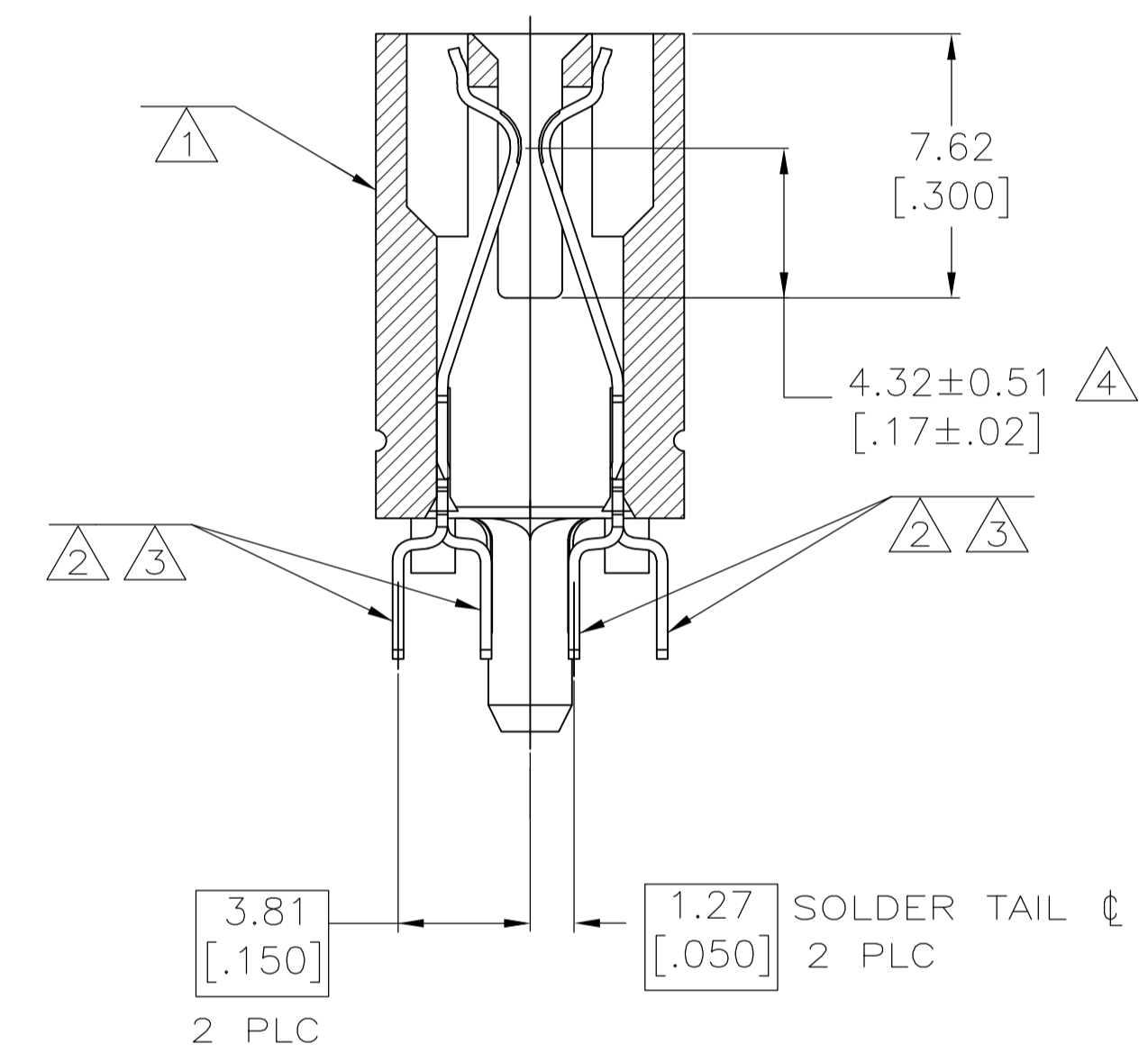
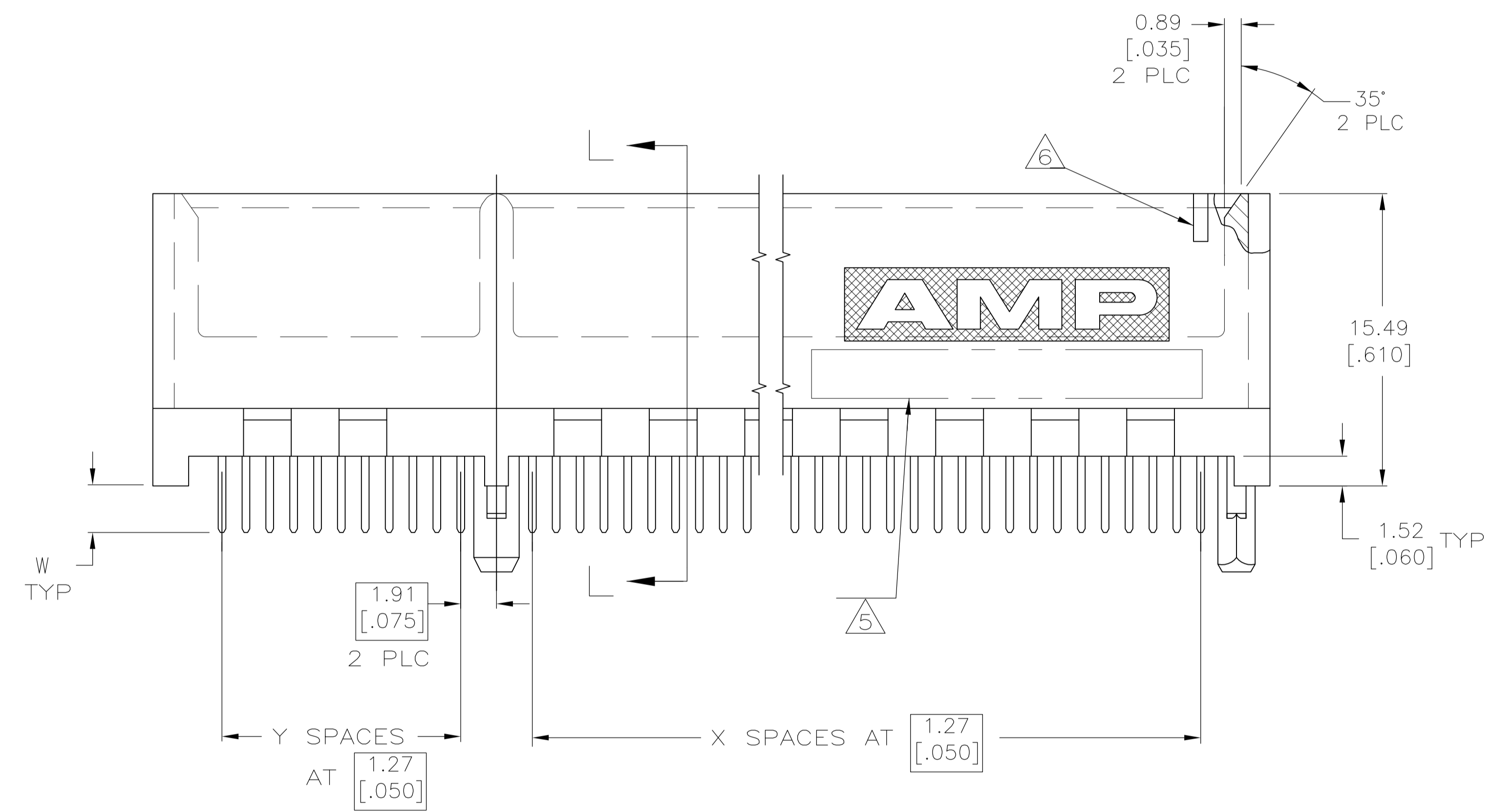
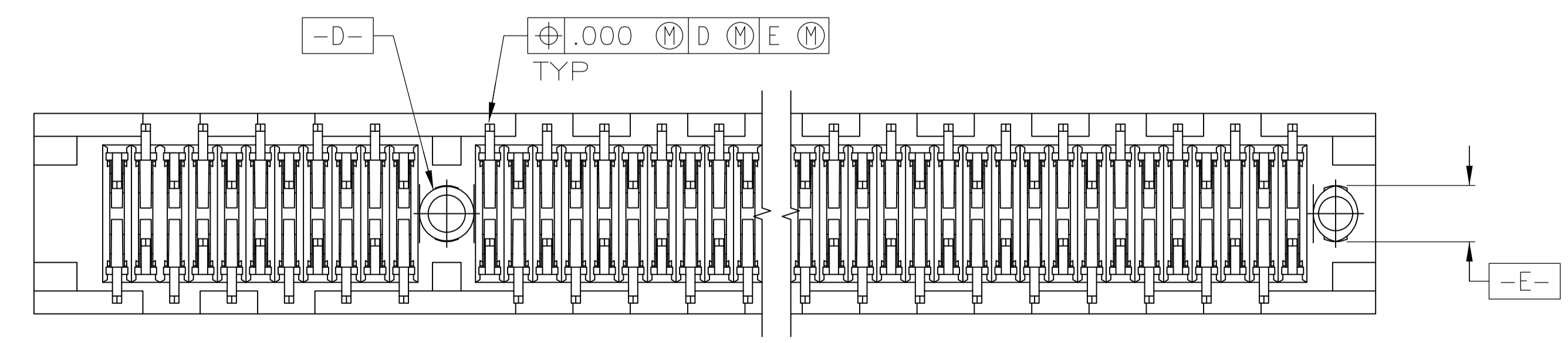


- ① HOUSING: HIGH TEMPERATURE THERMOPLASTIC. COLOR: BROWN.
- ② CONTACT: PHOSPHOR BRONZE.
- ③ CONTACT FINISH: .000100 MIN NICKEL ALL OVER. .000030 MIN GOLD OVER NICKEL IN CONTACT AREA. .000100 MIN MATTE TIN OVER NICKEL ON SOLDER TAILS.
- ④ DISTANCE FROM CONTACT POINT TO BOTTOM OF CARD SLOT.
- ⑤ AMP PART NUMBER, DATE CODE AND CSA LOGO MARKED IN APPROXIMATE AREA SHOWN.
- ⑥ PIN ONE IDENTIFIER NOTCH ONLY ON PART NUMBERS INDICATED.
- ⑦ OBSOLETE PARTS: OBSOLETE CIS STREAMLINING PER D.RENAUD/D.SINISI



SECTION L-L
SCALE 8:1

⑦ OBSOLETE	3.18 [.125]	NO	B	45.72 [1.800]	44.70 [1.760]	65.79 [2.59]	15.49 [.610]	10	33	45	↑=5650090-4
	3.56 [.140]	NO	A	26.67 [1.050]	25.65 [1.010]	46.74 [1.84]	15.49 [.610]	10	18	30	1-5650090-2
⑦ OBSOLETE	3.56 [.140]	NO	C	55.88 [2.200]	54.86 [2.160]	110.24 [4.34]	49.78 [1.960]	37	41	80	↑=5650090-1
	2.54 [.100]	NO	C	55.88 [2.200]	54.86 [2.160]	110.24 [4.34]	49.78 [1.960]	37	41	80	5650090-9
	2.54 [.100]	NO	B	17.78 [.700]	16.76 [.660]	37.85 [1.49]	15.49 [.610]	10	11	23	5650090-7
	2.54 [.100]	NO	A	26.67 [1.050]	25.65 [1.010]	46.74 [1.84]	15.49 [.610]	10	18	30	5650090-6
	2.54 [.100]	NO	A	39.37 [1.550]	38.35 [1.510]	59.44 [2.34]	15.49 [.610]	10	28	40	5650090-3
	2.54 [.100]	NO	B	45.72 [1.800]	44.70 [1.760]	65.79 [2.59]	15.49 [.610]	10	33	45	5650090-2
	2.54 [.100]	YES	A	59.69 [2.350]	58.67 [2.310]	79.76 [3.14]	15.49 [.610]	10	44	56	5650090-1
W		PIN ONE IDENTIFIER	HOLE PATTERN	V	U	T	S	Y	X	NO OF DUAL POSN	PART NUMBER



SEE SHEET 2 FOR HOLE PATTERNS

THIS DRAWING IS A CONTROLLED DOCUMENT. DIMENSIONS: mm. TOLERANCES UNLESS OTHERWISE SPECIFIED: 0 PLC ± -, 1 PLC ± -, 2 PLC ± 0.25 [.010], 3 PLC ± 0.12 [.005], 4 PLC ± -. ANGLES ± °.

FRANTUM 24 JAN 05
FRANTUM 24 JAN 05

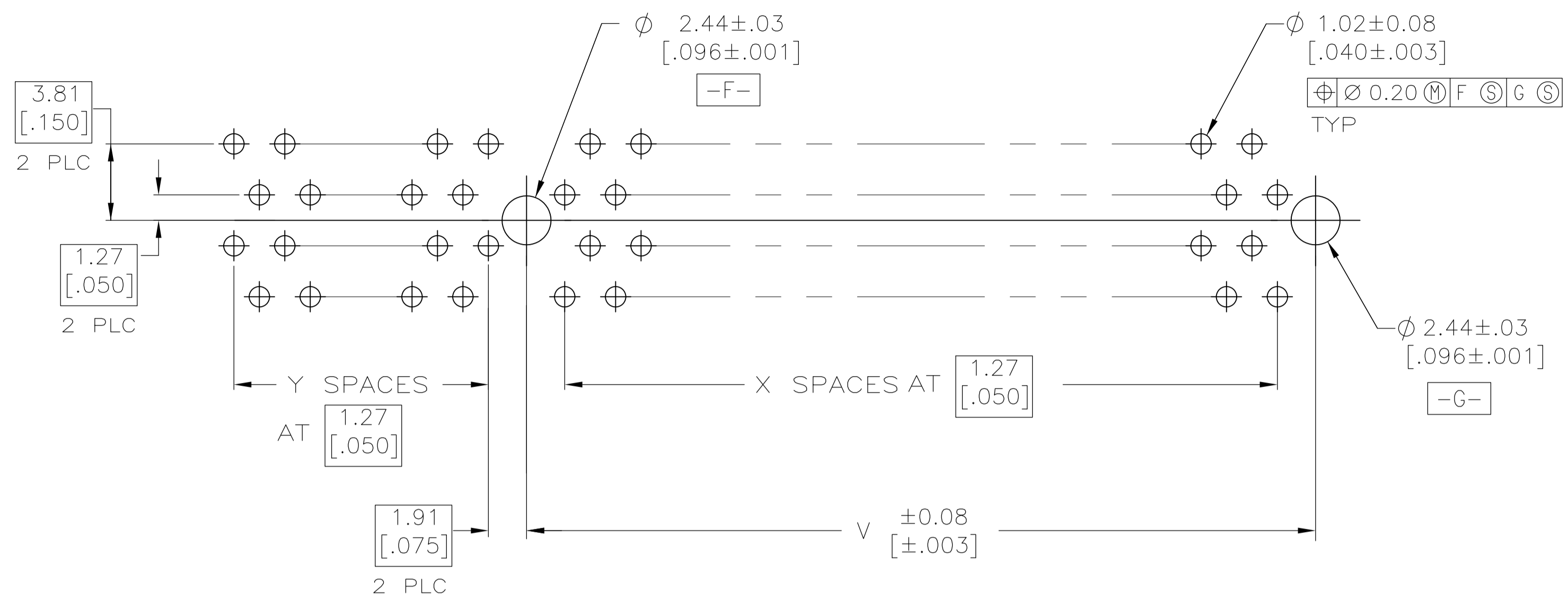
STE TE Connectivity

CONNECTOR ASSEMBLY, DUAL POSITION, .050 SERIES

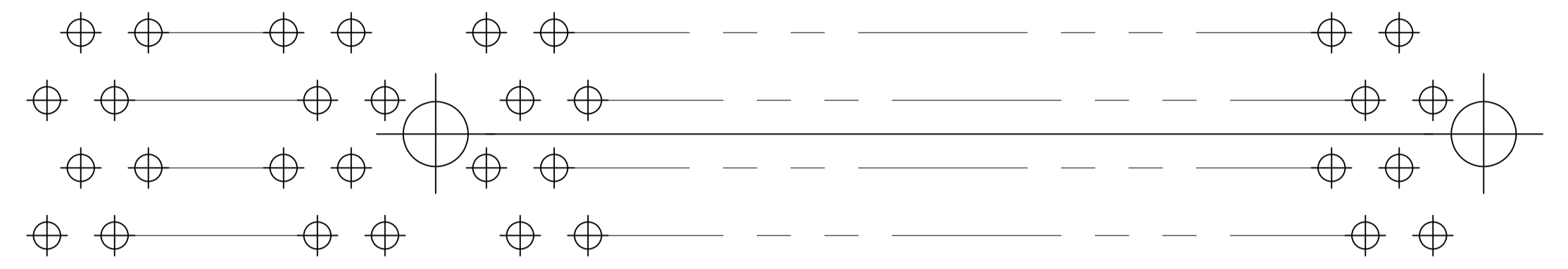
PRODUCT SPEC 108-14034
APPLICATION SPEC 114-26012

SIZE A1 00779 C=5650090
WEIGHT -

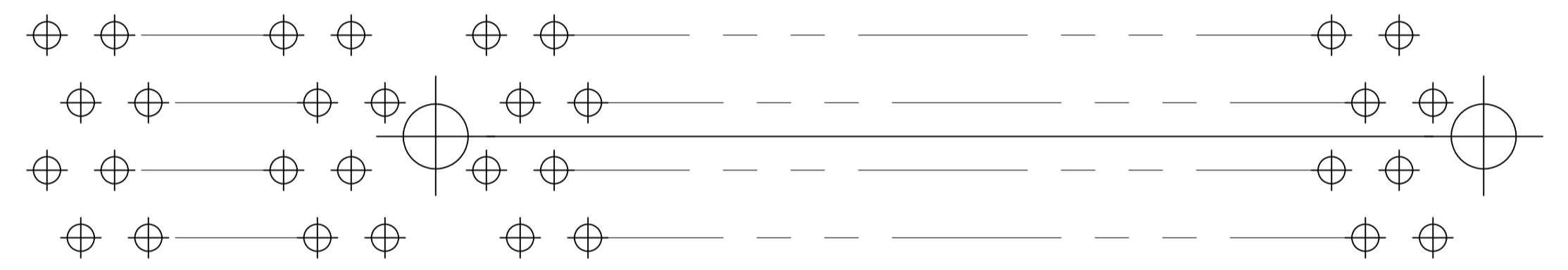
CUSTOMER DRAWING SCALE 5:1 SHEET 1 OF 2 REV P



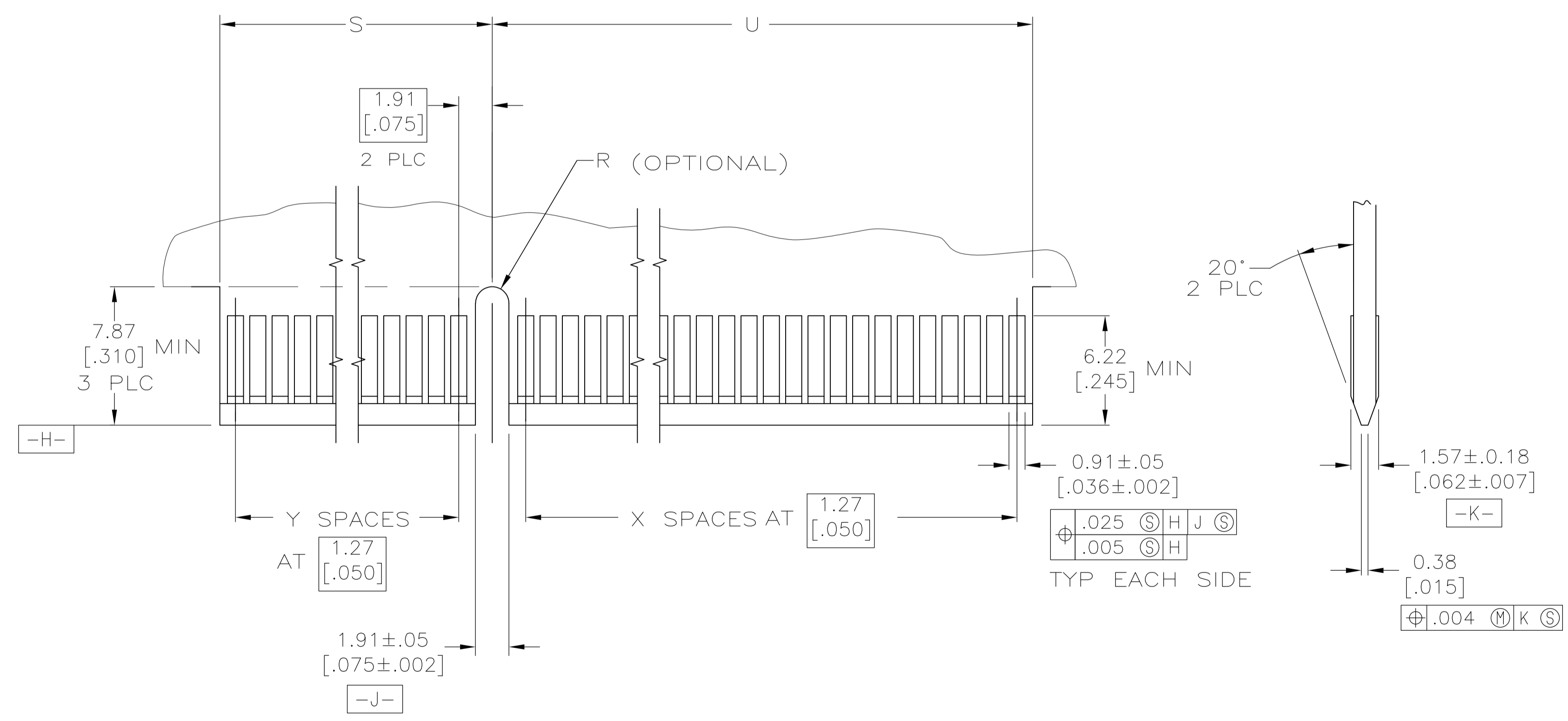
RECOMMENDED CONNECTOR MOUNTING HOLE PATTERN A
(CONNECTOR SIDE SHOWN)



RECOMMENDED CONNECTOR MOUNTING HOLE PATTERN B
(CONNECTOR SIDE SHOWN)



RECOMMENDED CONNECTOR MOUNTING HOLE PATTERN C



RECOMMENDED MATING BOARD EDGE CONFIGURATION
(CONNECTOR SIDE SHOWN)

THIS DRAWING IS A CONTROLLED DOCUMENT.		DIN AL FRANTUM 24 JAN 05	TE Connectivity
DIMENSIONS: mm		OK AL FRANTUM 24 JAN 05	
TOLERANCES UNLESS OTHERWISE SPECIFIED:		APVD	NAME
0 PLC ± - 1 PLC ± - 2 PLC ± - 3 PLC ± - 4 PLC ± - ANGLES ± °		PRODUCT SPEC 108-14034	CONNECTOR ASSEMBLY, DUAL POSITION, .050 SEERIES
MATERIAL SEE SHEET 1		FINISH SEE SHEET 1	RESTRICTED TO
WEIGHT		SIZE A1	SCALE 5:1
CUSTOMER DRAWING		DRAWING NO. 00779	SHEET 2 OF 2
		REV P	

Mouser Electronics

Authorized Distributor

Click to View Pricing, Inventory, Delivery & Lifecycle Information:

[TE Connectivity:](#)

[5650090-3](#)