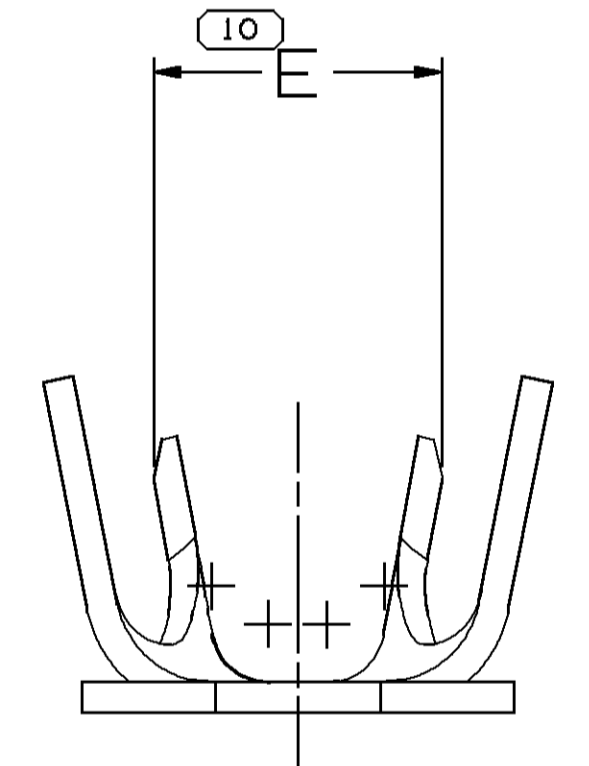
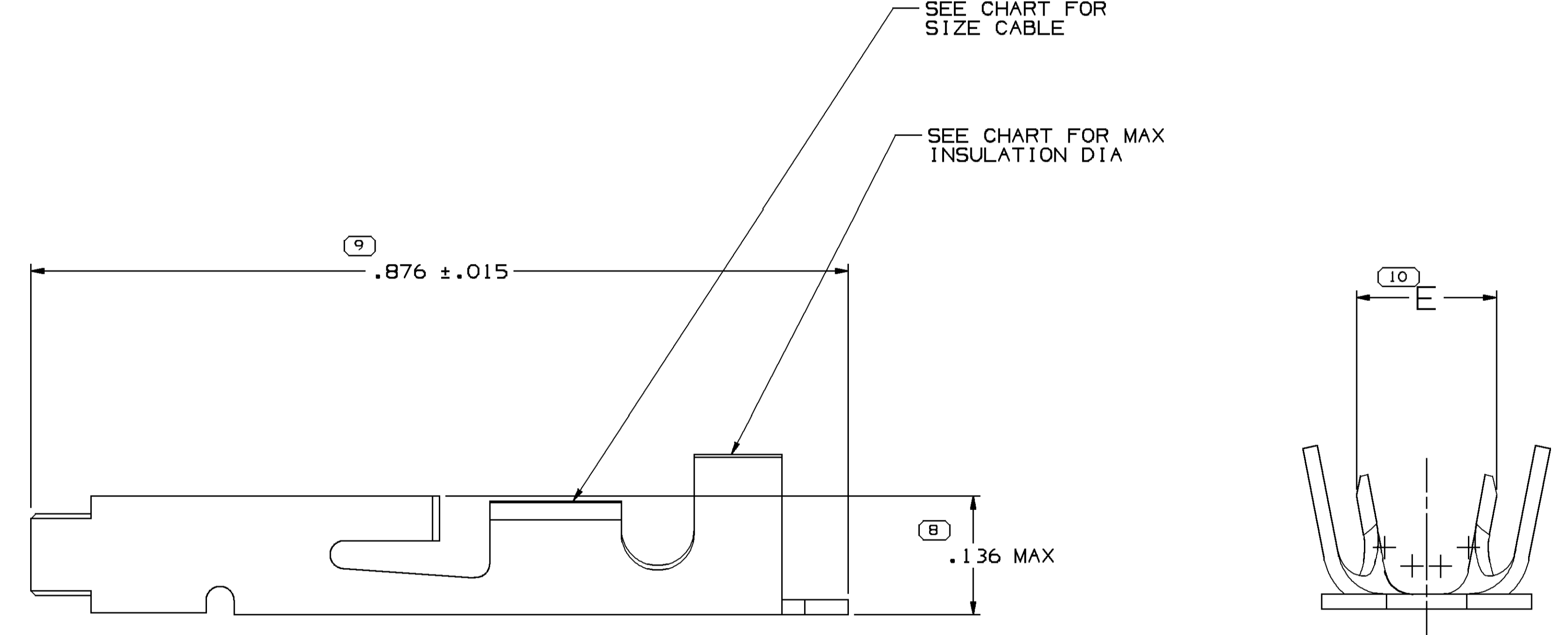
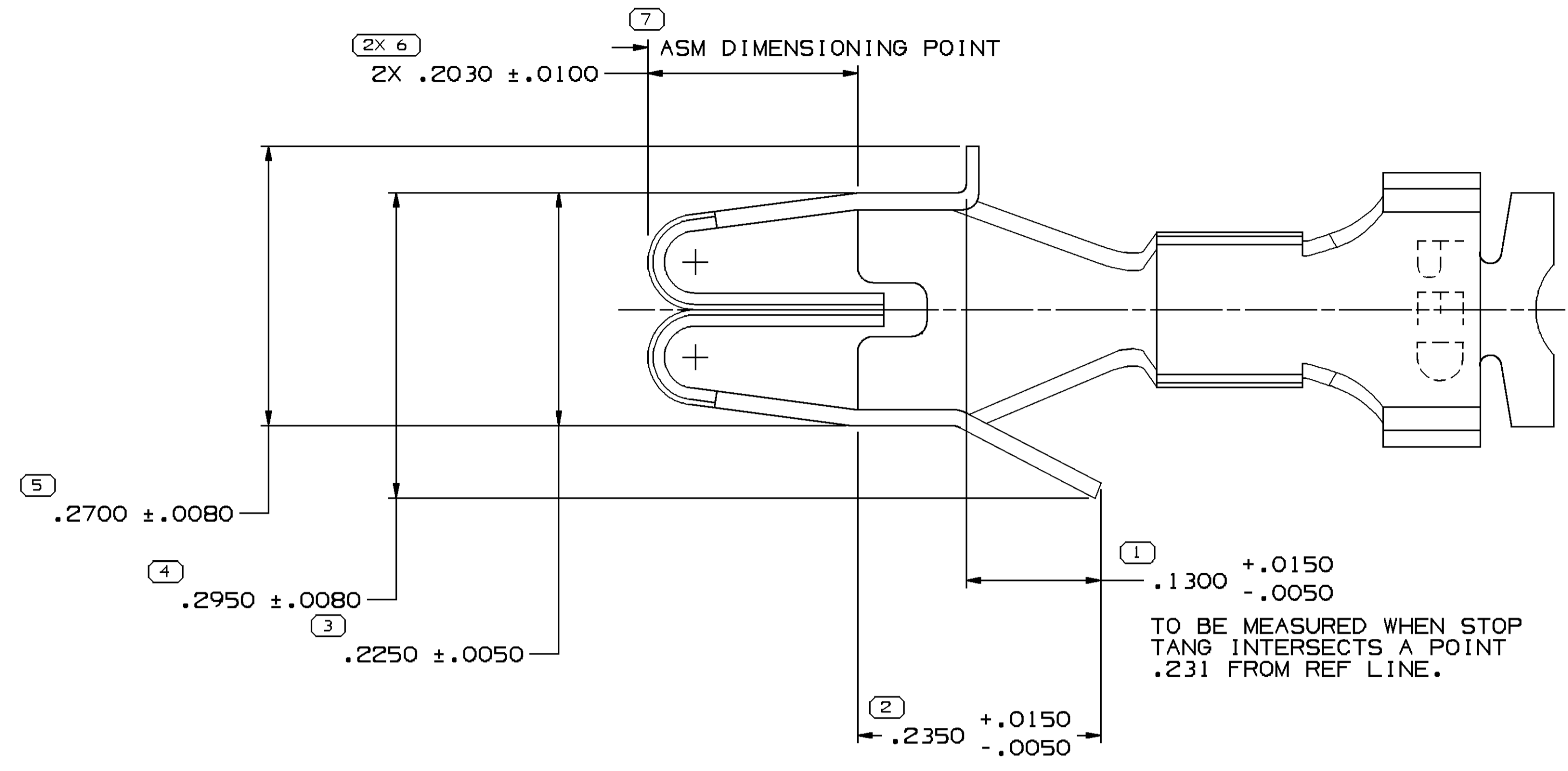


SYMBOL DEFINITION		MISSING SYMBOLS	
A DIMENSION WITHOUT AN INSPECTION REPORT SYMBOL DOES NOT REQUIRE INSPECTION. IT MAY BE CONTROLLED ON THE INDIVIDUAL COMPONENT DRAWING.	TOTAL NO OF INSPECTIONS REQUIRED	NO MISSING SYMBOL NUMBER	
	11		
	LAST NO. USED		
	10		

DWG STATUS					REVISION HISTORY		AUTH	DR	APVD	APVD
DATE	STG	REV	N/P	CHG	ZONE					
25MR04	R	01	-	-		ALL PARTS - WERE SEPARATE DWGS	252650	JTV	FKV	TM
07JAI0	R	02	-	-		ALL ACTIVE PARTS - ADDED NOTES #3 & #4	409717	APR	APR	APR



- NOTES
- UNLESS OTHERWISE SPECIFIED AND/OR INDICATED:  
DIMENSIONS ARE TO FACE OF VIEW SHOWN AND AUTOMATICALLY ROUNDED BY COMPUTER FOR INSPECTION (SEE MATH MODEL FOR PRECISE DIMENSIONS). FOR ALL OTHER DIMENSIONS NOT SHOWN BUT REQUIRED FOR TOOL BUILD, SEE MATH MODEL FOR PRECISE TOOL PATH DATA.
  - MAXIMUM CURRENT CAPACITY IS 18 AMP.
  - "PED" STAMP OPTIONAL CONSTRUCTION MAY BE "PXX"
  - "PXX" INDICATES "P" PLUS LAST TWO DIGITS OF MAKE DIE SERIES NUMBER (P01, P02, P03, ETC.).

PART NO	REV	N/P	STATUS	MAT'L SIZE	MAT'L SPEC	PART NO	REV	N/P	STATUS	MAT'L SPEC	PART NO	REV	N/P	STATUS	MAT'L SPEC	TYPE
12020346	F2			.0160 X 1.266	M1519365	12040837	C2			M1574365	105				14-16 OR (2) 18-20	.156 MAX OR TWO .098 MAX
12020347	E2			.0160 X 1.266	M1519365	12040508	C2			M1574365	104				18-20 OR 18HW	.123 - .081
08917494	B		OBSOLETE	.0160 X 1.266	M1519365	12015014	E		OBSOLETE	M1574AAU	103				18-20 OR 18HW	.123 - .081
08917107	G2			.0160 X 1.312	M1519365	12010811	F2			M1574AAU	103				14-16 HW	.140 - .101
06294738	L2			.0160 X 1.266	M1519365	08911641	M2			M1574365	102				18-20 OR 18HW	.123 - .081
06294737	M		OBSOLETE	.0160 X 1.266	M1519365	08911640	M2			M1574365	102				22-24	.082 - .044
06294512	N		OBSOLETE	.0160 X 1.266	M1519365	08911639	N			M1574365	102				14-16 HW	.156 - .134
				.0160 X 1.312	M1519365	12010611	G2			M1574365	101				18-20	.145 - .139
				.0160 X 1.312	M1519365	08917064	D		OBSOLETE	V1519028	101				18-20	.098 - .081
				.0160 X 1.312	M1519365	08911642	K		OBSOLETE	V1519028	101				18-20	.098 - .081
				.0160 X 1.266	M1519365	08911641	M2			M1574365	101				18-20 OR ONE 16-20	.098 - .081 OR 1/.104 & 1/.084
				.0160 X 1.266	M1519365	08911640	M2			M1574365	101				14-16	.140 - .101
				.0160 X 1.266	M1519365	08911639	N			M1574365	101				18-20 OR 18HW	.123 - .081
															SIZE (GA)	DIA
																E±.015

PART DRAWING	
STYLE	
VOLUME (QTY)	DISTR CODE
UNLESS OTHERWISE SPECIFIED	
THIS DOCUMENT IS IN ACCORDANCE WITH ASME Y14.5M-1994 AS MODIFIED BY THE 2003 SUPPLEMENT AND TELEPHONIC ADDENDUM-2001. SEPARATE PATTERNS OF FEATURES MAY BE SHOWN SEPARATELY REGARDLESS OF REFERENCES.	
ALL DIMENSIONS ARE IN INCHES	

**DELPHI**  
DELPHI PACKARD ELECTRICAL/ELECTRONIC ARCHITECTURE  
WARREN, OH

DATE: 07-20-10 Time: 08:45

DR: JOSE LUIS TAPIA  
APV02 FRANCISCO KOPKA  
APV03 TOM MADDEN  
APV04

25MR04  
25MR04  
25MR04

SUBSTANCES OF CONCERN AND RECYCLED CONTENT PER DELPHI 10449001

MATERIAL: SEE CHART

DRAWING NAME: TAXI TERM F PAC/ON I

DRAWING NUMBER: 06294739

SIZE: A0 SCALE: 10:1 FRAME NO: 1 SHEET NO: 1 OF 1 REV: N/P

PROCESS SENSITIVE DIMENSION		THIRD ANGLE PROJECTION		DO NOT SCALE	
DIMENSIONAL RANGE (IN)	CHART	USE MATH DATA		USE MATH DATA	
FROM: 0	> 500				
TO: .500	> 500				
TOLERANCE UNLESS OTHERWISE SPECIFIED	±.010				
ANGULAR TOLERANCE ±2°					

# Mouser Electronics

Authorized Distributor

Click to View Pricing, Inventory, Delivery & Lifecycle Information:

[Aptiv:](#)

[12040508-L](#) [12020346-L](#) [12020347-L](#)