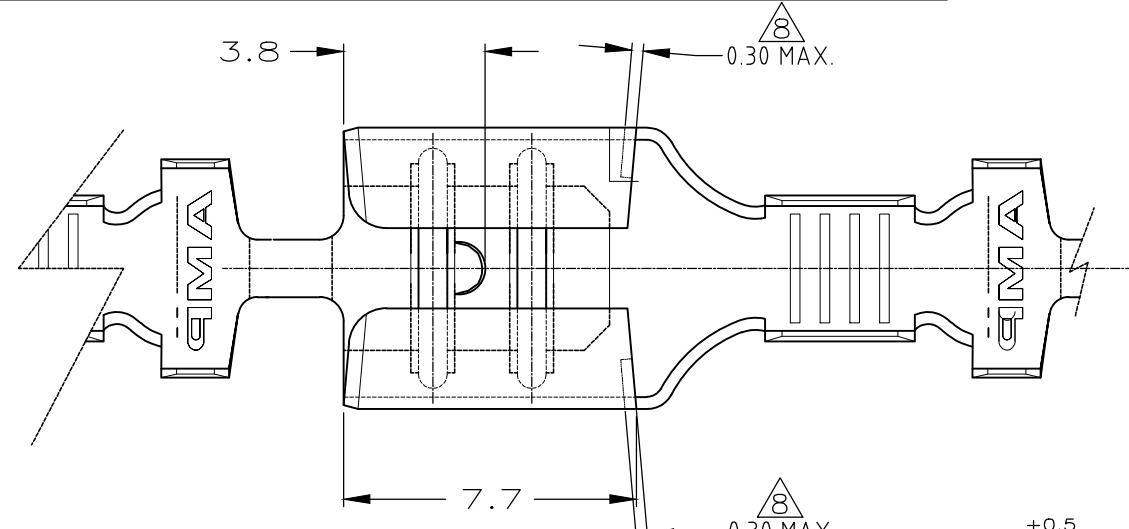
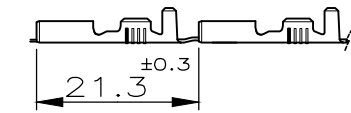


THIS DRAWING IS UNPUBLISHED. RELEASED FOR PUBLICATION  
 © COPYRIGHT - By - ALL RIGHTS RESERVED.

REVISIONS					
P	LTR	DESCRIPTION	DATE	DWN	APVD
	AW9	REVISED PER ECR-19-003911	12MAR2019	BH	E.W



1) STATO DI FORNITURA - SCALA 1:1  
 (SUPPLY CONDITION - SCALE 1:1)



SENDO DI USCITA DEL TERMINALE DALLA BOBINA  
 (DIRECTION OFF TOP OF REEL)

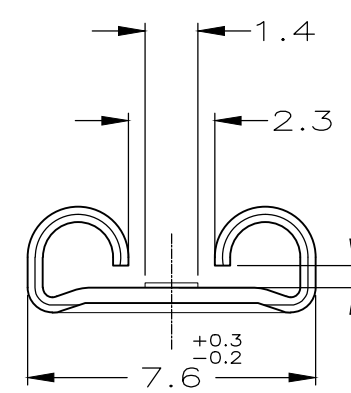
2) SPECIFICA DI PRODOTTO 108-20019  
 (PRODUCT SPEC. 108-20019)  
 SPECIFICA DI APPLICAZIONE 114-20023  
 (APPLICATION SPEC. 114-20023).

3) PER LE VERSIONI IN PEZZI SCIOLTI VEDERE DISEGNO 160506  
 (FOR LOOSE PIECE VERSION SEE DRAWING 160506).

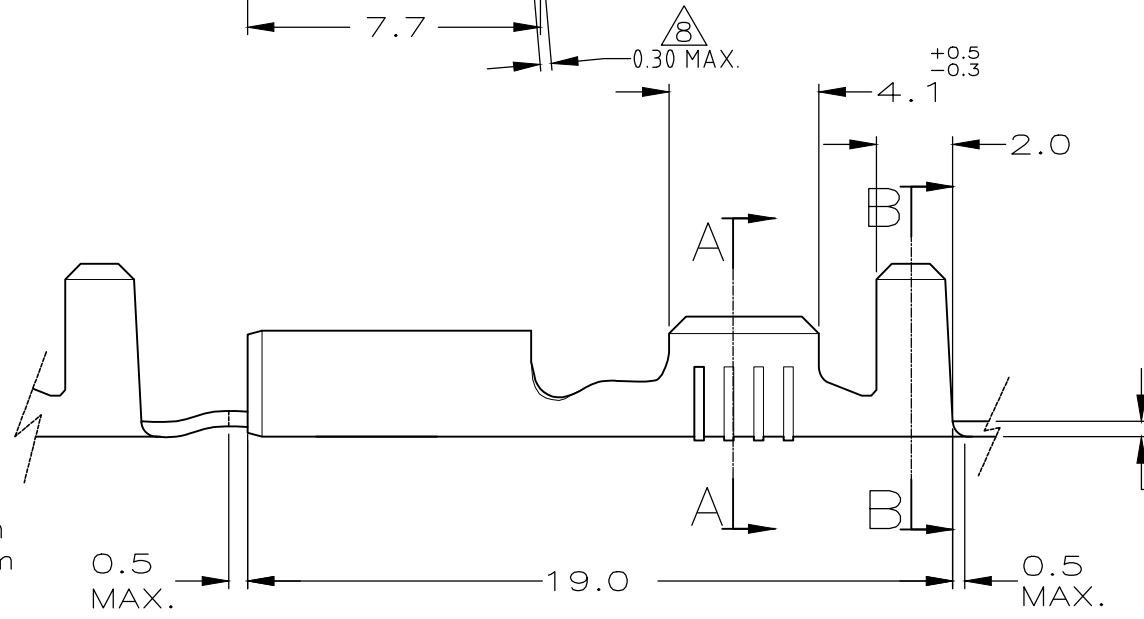
- 4) NON IN PRODUZIONE (NOT YET RELEASE FOR PRODUCTION)
- 5) ADATTO PER ALTA FORZA DI ESTRAZIONE (SUITABLE FOR HIGHER EXTRACTION FORCE)
- 6) ADATTO PER TAB SPESSO 0.63mm. (FOR 0.63mm TAB THK.)

7) PACKAGE WITH INTERLAYER PAPER  
 0.4 MAT. THK.

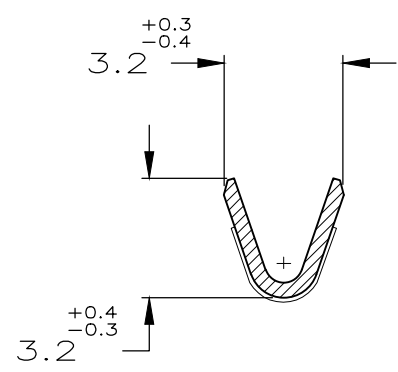
8) CUT-OFF OFFSET IS ALLOWED BY 0.3mm MAX. THIS MAY BE REQUIRED FOR MANUFACTURING, BUT WILL NOT IMPACT THE INTENDED PERFORMANCE OF THE CONTACT.



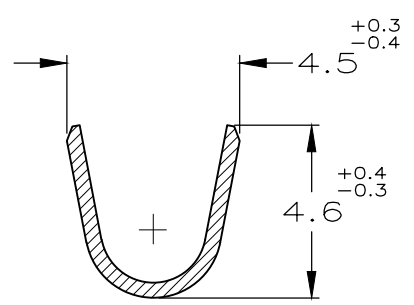
FOR 0.8mm & 0.63mm TAB THK.



SEZIONE A-A  
 (SECTION A-A)



SEZIONE B-B  
 (SECTION B-B)



7/4	STAGNATO (TINPLATED)	OTTONE (BRASS)	7-160432-4	AY
6/4	STAGNATO (TINPLATED)	OTTONE (BRASS)	7-160432-3	AY
5/4	STAGNATO (TINPLATED)	OTTONE (BRASS)	7-160432-2	AW
5/4	NUDO (UNPLATED)	OTTONE (BRASS)	7-160432-1	AW
	STAGNATO (TINPLATED)	OTTONE (BRASS)	7-160432-0	AU
	NUDO (UNPLATED)	BRONZO FOSF.(PH. BRONZE)	6-160432-4	AU
	PRE NICHELATO (PRE NICKEL PLATED)	ACCIAIO (STEEL)	6-160432-3	AU
	STAGNATO (TINPLATED)	BRONZO FOSF.(PH. BRONZE)	6-160432-0	AU
	ARGRNTATO (SILVER PLATED)	OTTONE (BRASS)	5-160432-7	AW
	STAGNATO (TINPLATED)	OTTONE (BRASS)	5-160432-4	AU
	NUDO (UNPLATED)	OTTONE (BRASS)	5-160432-3	AW
NOTE (NOTES)	FINITURA (FINISH)	MATERIALE (MATERIAL)	NUMERO (P/N)	REV

THIS DRAWING IS A CONTROLLED DOCUMENT.

DWN H.YAALI 14 MAY 99	TE Connectivity
CHK C.TARTARI 14 MAY 99	
APVD -	
PRODUCT SPEC -	NAME
APPLICATION SPEC 2	FASTON® Connector .250 SERIES REC. CONTACT
MATERIAL / MATERIALE SEE TABLE (VEDI LA TABELLA)	FINISH / FINITURA SEE TABLE (VEDI LA TABELLA)
WEIGHT 0.785	SIZE A3 CAGE CODE 00779 DRAWING NO C-160432 RESTRICTED TO -
CUSTOMER DRAWING	SCALE - SHEET 1 OF 1 REV AW9