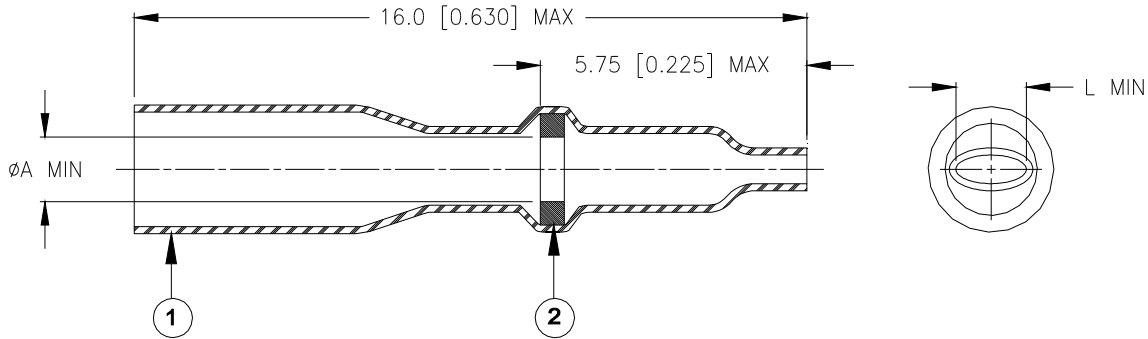


SPECIFICATION CONTROL DRAWING



Product Revision		Product Dimensions		Wire and Pin Dimensions			
Product Name		ϕA min	L min	ϕB max	ϕC		ϕD max
					min	max	
B-155-1501	A	1.5 [0.060]	1.5 [0.060]	2.0 [0.080]	0.9 [0.035]	1.5 [0.060]	0.6 [0.025]
B-155-1502	A	2.3 [0.090]	2.3 [0.090]	2.9 [0.115]	1.1 [0.045]	2.3 [0.090]	0.9 [0.035]
B-155-1503	A	2.8 [0.110]	2.8 [0.110]	3.2 [0.125]	1.6 [0.065]	2.8 [0.110]	1.2 [0.045]
B-155-1504	A	3.8 [0.150]	3.8 [0.150]	4.5 [0.180]	1.8 [0.070]	3.8 [0.150]	1.5 [0.060]

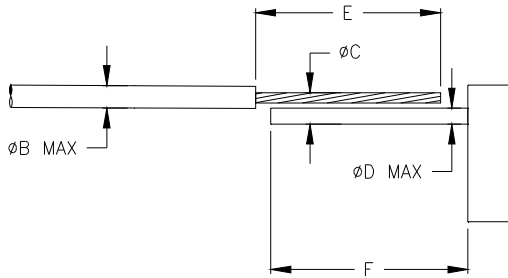
MATERIALS

- INSULATION SLEEVE: Heat-shrinkable, transparent clear, radiation cross-linked modified polyolefin.
- SOLDER PREFORM WITH FLUX:
 - SOLDER: TYPE Sn42Bi58 per ANSI / J-STD-006.
 - FLUX: TYPE ROM1 per ANSI / J-STD-004.

APPLICATION



- These controlled soldering devices are designed for termination of a wire to the lead of electrical component or to the terminal of a connector.
- Temperature range: -55°C to +125°C.
- For installation procedure and application equipment, consult RPIP-824-00

For best results, prepare the wire as shown:



Stripping Dimensions:

- Wires smaller than AWG 18:
E: 6.5 ± 0.5 [0.256 \pm 0.020]
F: 8.0 ± 0.5 [0.315 \pm 0.020]
- Wires AWG 18 and larger:
E: 9.5 ± 0.5 [0.374 \pm 0.020]
F: 11.0 ± 0.5 [0.433 \pm 0.020]

		TE Connectivity 300 Constitution Drive, Menlo Park, CA. 94025, U.S.A.		TITLE: SOLDERSLEEVE ONE-STEP WIRE TERMINATOR, LOW TEMPERATURE			
Unless otherwise specified dimensions are in millimeters. [Inches dimensions are shown in brackets]				DOCUMENT NO.: B-155-150X			
TOLERANCES: 0.00 N/A 0.0 N/A 0 N/A	ANGLES: N/A ROUGHNESS IN MICRON	TE Connectivity reserves the right to amend this drawing at any time. Users should evaluate the suitability of the product for their application.		PROD. REV.: SEE TABLE	DOC. ISSUE: 2	DATE: 16-Apr-11	
PREPARED BY: mforonda	DCR NUMBER: D050256	REPLACES: ---	CAGE CODE: 06090	SCALE: ---	SIZE: A	SHEET: 1 of 1	

Print Date: 9-May-11

© 2011 Tyco Electronics Corporation, a TE Connectivity Ltd. Company. All Rights Reserved.

If this document is printed it becomes uncontrolled. Check for the latest revision.

Mouser Electronics

Authorized Distributor

Click to View Pricing, Inventory, Delivery & Lifecycle Information:

[TE Connectivity:](#)

[B-155-3806](#) [B-155-3813](#) [B-155-1503](#) [B-155-13](#) [B-155-3811](#) [B-155-1502](#) [B-155-2001](#)