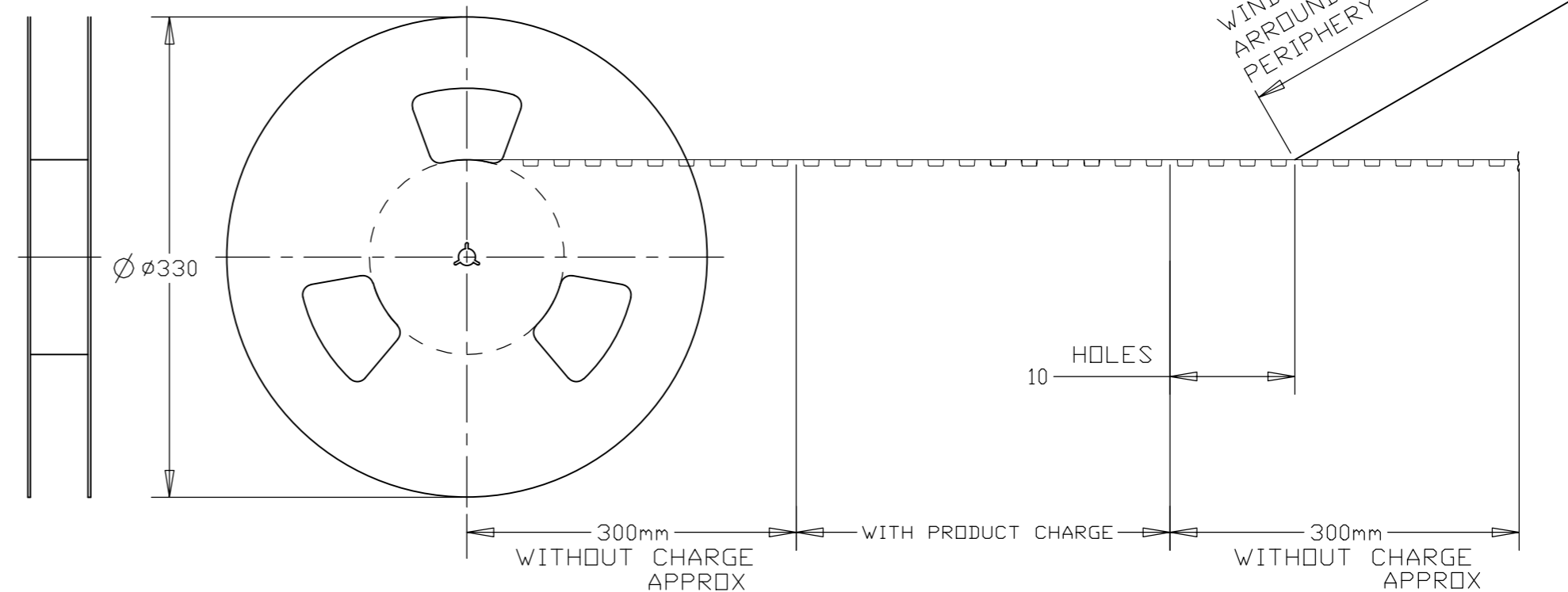
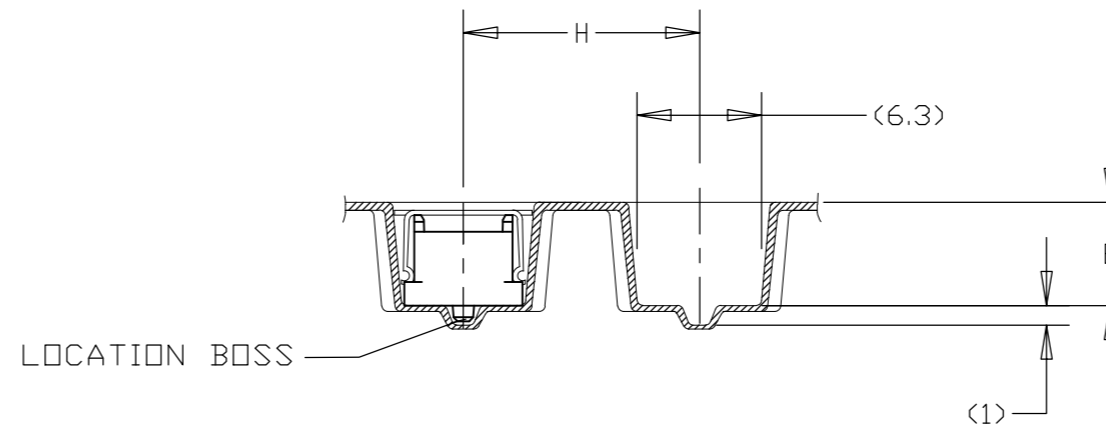
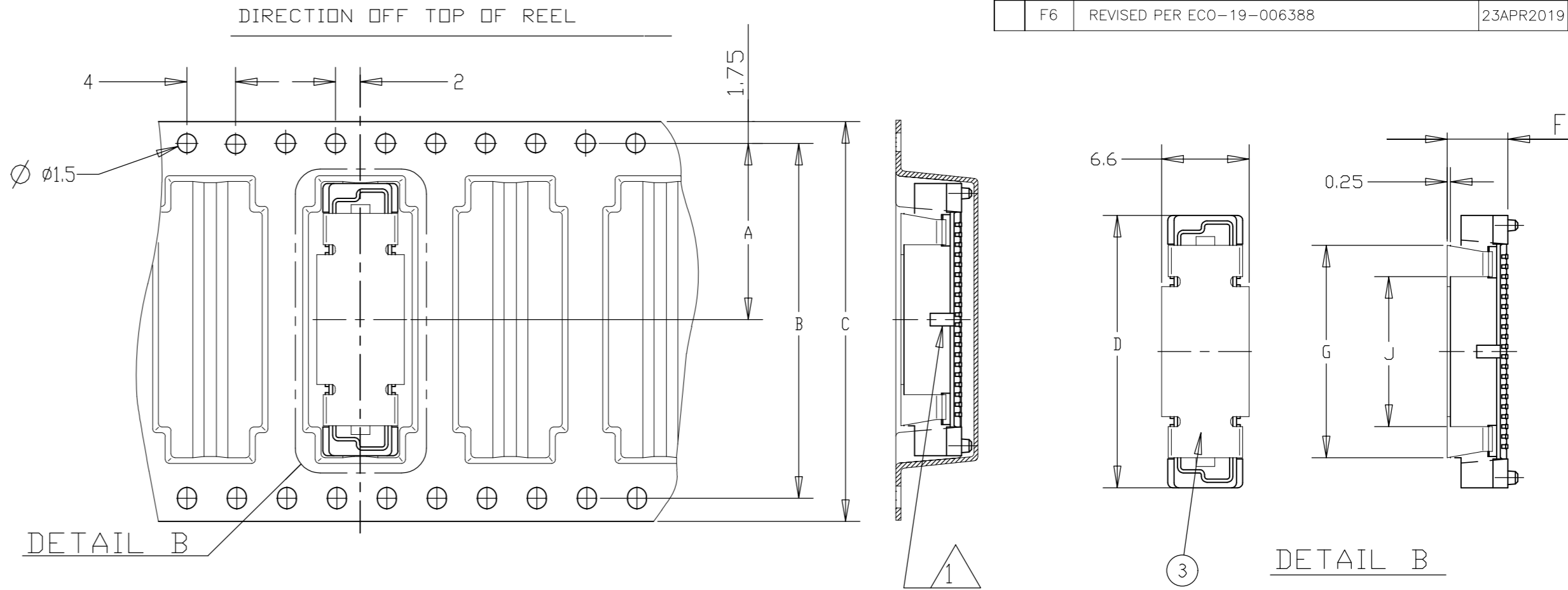


THIS DRAWING IS UNPUBLISHED. RELEASED FOR PUBLICATION
 © COPYRIGHT - TE Connectivity ALL RIGHTS RESERVED.

REVISIONS					
P	LTR	DESCRIPTION	DATE	DWN	APVD
F6		REVISED PER ECO-19-006388	23APR2019	R.L	H.L

- Notes:
- 1 CUTOUT FEATURE AVAILABLE ONLY ON 5H ASSY P/N -1 (40P) AND -2 (60P).
 - 2 0.00038 MIN GOLD PLATING (15u INCHES GOLD PLATING)
 - 3 CONNECTOR DIMENSIONS REFERENCED FROM DRAWING WHICH CONN. P/NS BASED
 - 4 CONNECTOR WITH BLACK HOUSING
 - 5 MATERIAL: HOUSING: L.C.P UL 94-V0. COLOR: NATURAL EXCEPT FOR NOTE 4 CONTACT: BRASS

LOW HALOGEN



STEEL COVER

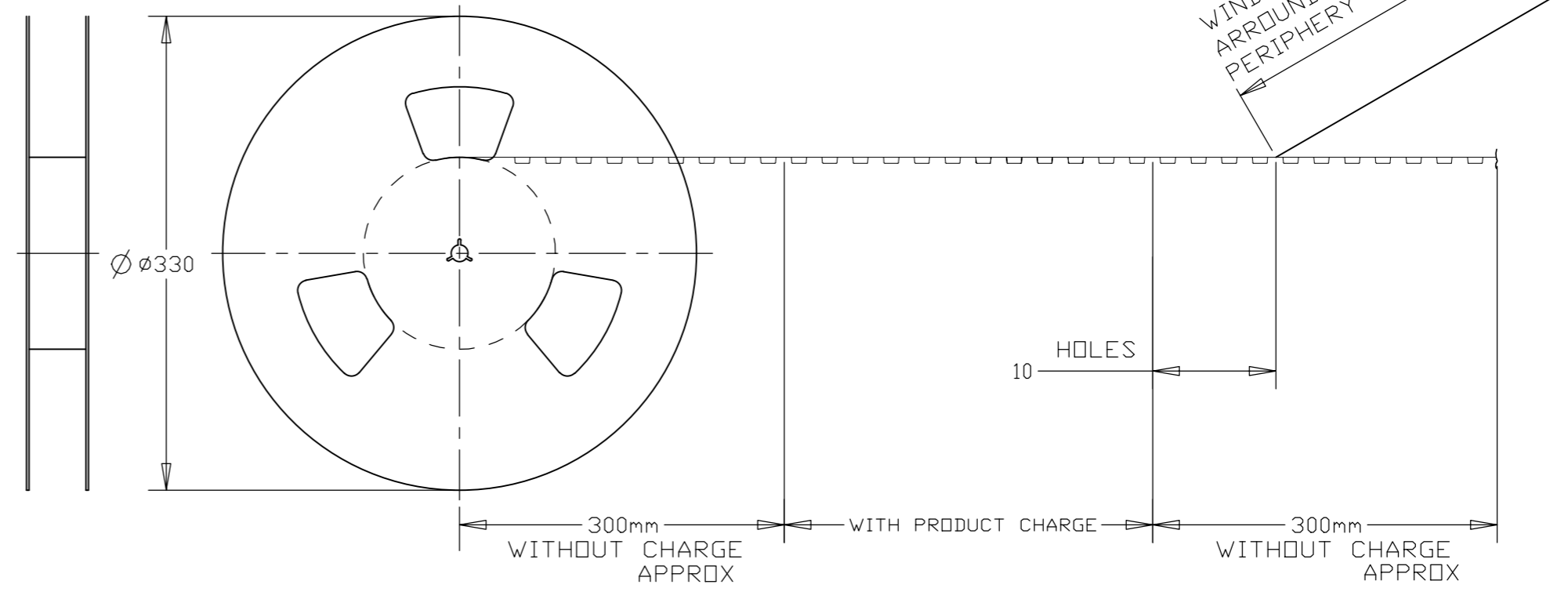
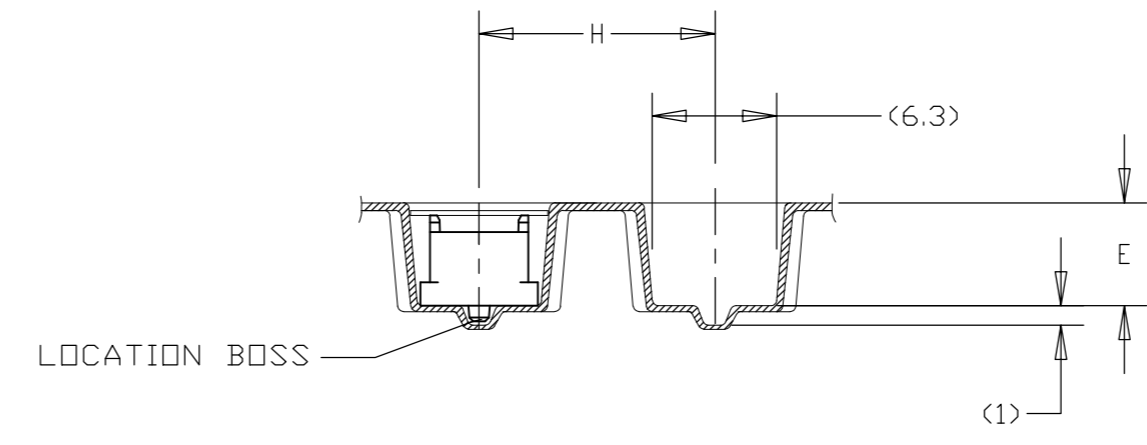
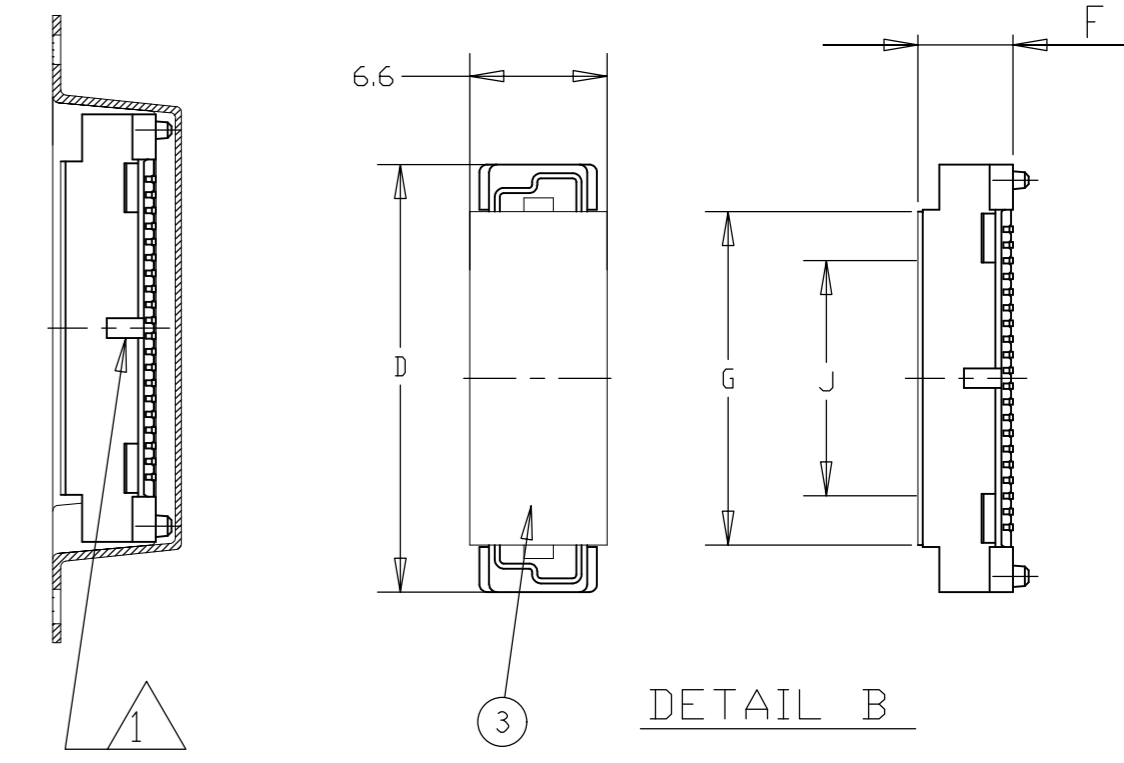
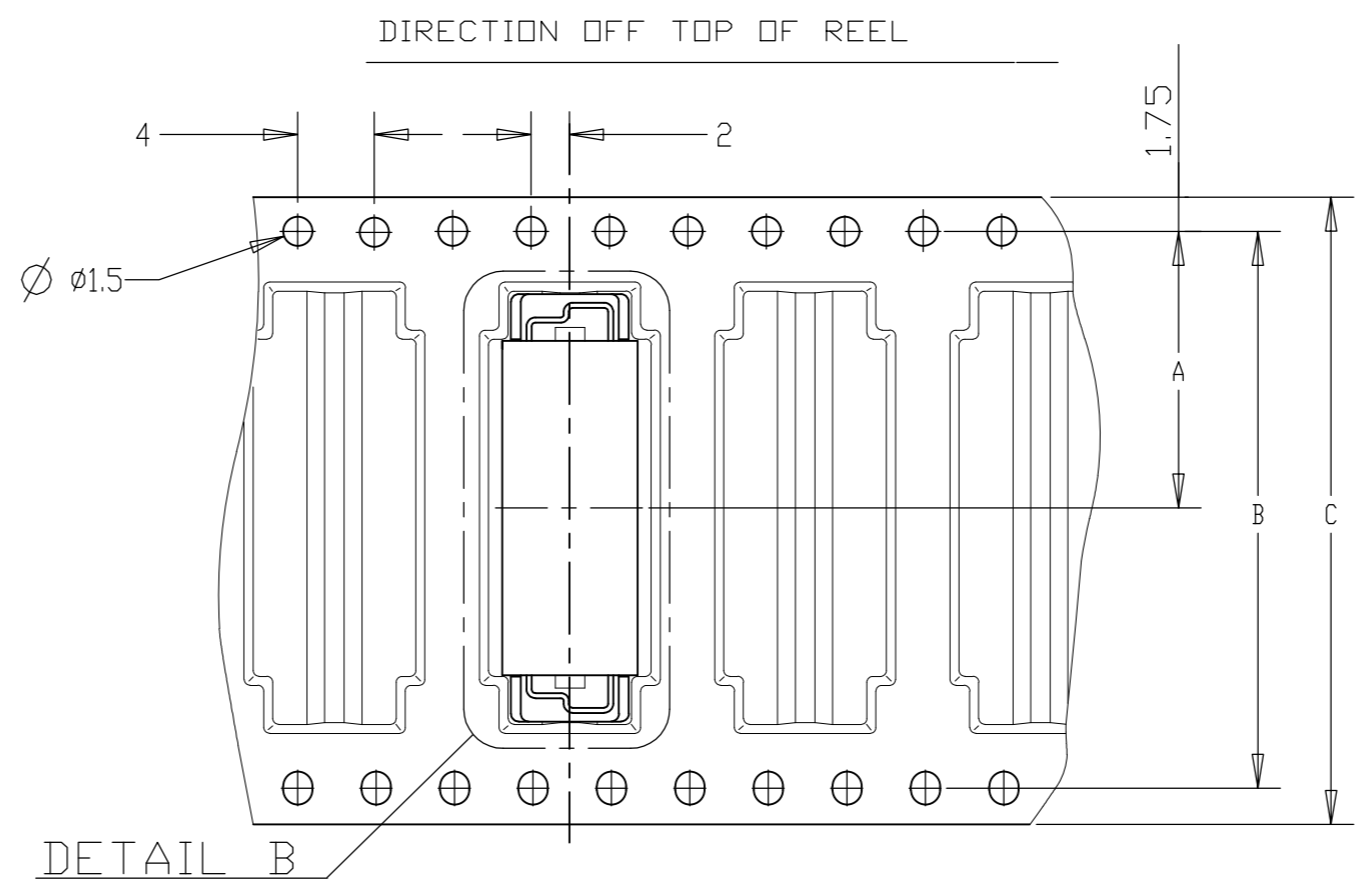
REMARKS	QTY	HEIGHT TYPE	Y	X	J	H	G	F	E	D	C	B	A	POS	SALEABLE PART NO.	
0.00076 MIN GOLD PLATING (30u INCHES GOLD PLATING)	450									61.8	88	84.4	42.2	140	7-	-6
										53.8				120	7-	-5
										45.8	72	68.4	34.2	100	7-	-4
										37.8	56	52.4	26.2	80	7-	-3
										29.8	44	40.4	20.2	60	7-	-2
										21.8	32	28.4	14.2	40	7-	-1
										69.8				160	6-	-8
										61.8	88	84.4	42.2	140	6-	-6
										53.8				120	6-	-5
										45.8	72	68.4	34.2	100	6-	-4
										37.8	56	52.4	26.2	80	6-	-3
										29.8	44	40.4	20.2	60	6-	-2
									21.8	32	28.4	14.2	40	6-	-1	
									85.8	104	100.4	50.2	200	5-	-0	
									69.8				160	5-	-8	
									61.8	88	84.4	42.2	140	5-	-6	
									53.8				120	5-	-5	
									45.8	72	68.4	34.2	100	5-	-4	
									37.8	56	52.4	26.2	80	5-	-3	
									29.8	44	40.4	20.2	60	5-	-2	
									21.8	32	28.4	14.2	40	5-	-1	
									85.8	104	100.4	50.2	200	4-	-0	
									77.8				180	3-	-9	
									69.8				160	3-	-8	
									61.8	88	84.4	42.2	140	3-	-6	
									53.8				120	3-	-5	
									45.8	72	68.4	34.2	100	3-	-4	
									37.8	56	52.4	26.2	80	3-	-3	
									29.8	44	40.4	20.2	60	3-	-2	
									21.8	32	28.4	14.2	40	3-	-1	
									85.8	104	100.4	50.2	200	3-	-0	
									77.8				180	2-	-9	
									69.8				160	2-	-8	
									61.8	88	84.4	42.2	140	2-	-6	
									53.8				120	2-	-5	
									45.8	72	68.4	34.2	100	2-	-4	
									37.8	56	52.4	26.2	80	2-	-3	
									29.8	44	40.4	20.2	60	2-	-2	
									21.8	32	28.4	14.2	40	2-	-1	
									85.8	104	100.4	50.2	200	2-	-0	
									77.8				180	2-	-9	
									69.8				160	2-	-8	
									61.8	88	84.4	42.2	140	2-	-6	
									53.8				120	2-	-5	
									45.8	72	68.4	34.2	100	2-	-4	
									37.8	56	52.4	26.2	80	2-	-3	
									29.8	44	40.4	20.2	60	2-	-2	
									21.8	32	28.4	14.2	40	2-	-1	
									85.8	104	100.4	50.2	200	1-	-6	
									69.8				160	1-	-5	
									61.8	88	84.4	42.2	140	1-	-4	
									53.8				120	1-	-3	
									45.8	72	68.4	34.2	100	1-	-2	
									37.8	56	52.4	26.2	80	1-	-1	
									29.8	44	40.4	20.2	60	1-	-0	
									85.8	104	100.4	50.2	200	1-	-6	
									69.8				160	1-	-5	
									61.8	88	84.4	42.2	140	1-	-4	
									53.8				120	1-	-3	
									45.8	72	68.4	34.2	100	1-	-2	
									37.8	56	52.4	26.2	80	1-	-1	
									29.8	44	40.4	20.2	60	1-	-0	
									85.8	104	100.4	50.2	200	1-	-6	
									69.8				160	1-	-5	
									61.8	88	84.4	42.2	140	1-	-4	
									53.8				120	1-	-3	
									45.8	72	68.4	34.2	100	1-	-2	
									37.8	56	52.4	26.2	80	1-	-1	
									29.8	44	40.4	20.2	60	1-	-0	
									85.8	104	100.4	50.2	200	1-	-6	
									69.8				160	1-	-5	
									61.8	88	84.4	42.2	140	1-	-4	
									53.8				120	1-	-3	
									45.8	72	68.4	34.2	100	1-	-2	
									37.8	56	52.4	26.2	80	1-	-1	
									29.8	44	40.4	20.2	60	1-	-0	
									85.8	104	100.4	50.2	200	1-	-6	
									69.8				160	1-	-5	
									61.8	88	84.4	42.2	140	1-	-4	
									53.8				120	1-	-3	
									45.8	72	68.4	34.2	100	1-	-2	
									37.8	56	52.4	26.2	80	1-	-1	
									29.8	44	40.4	20.2	60	1-	-0	
									85.8	104	100.4	50.2	200	1-	-6	
									69.8				160	1-	-5	
									61.8	88	84.4	42.2	140	1-	-4	
									53.8				120	1-	-3	
									45.8	72	68.4	34.2	100	1-	-2	
									37.8	56	52.4	26.2	80	1-	-1	
									29.8	44	40.4	20.2	60	1-	-0	
									85.8	104	100.4	50.2	200	1-	-6	
									69.8				160	1-	-5	
									61.8	88	84.4	42.2	140	1-	-4	
									53.8				120	1-	-3	
									45.8	72	68.4	34.2	100	1-	-2	
									37.8	56	52.4	26.2	80	1-	-1	
									29.8	44	40.4	20.2	60	1-	-0	
									85.8	104	100.4	50.2	200	1-	-6	
									69.8				160	1-	-5	
									61.8	88	84.4	42.2	140	1-	-4	
									53.8				120	1-	-3	
									45.8	72	68.4	34.2	100	1-	-2	
									37.8	56	52.4	26.2	80	1-	-1	

THIS DRAWING IS UNPUBLISHED. RELEASED FOR PUBLICATION
 © COPYRIGHT - TE Connectivity ALL RIGHTS RESERVED.

REVISIONS					
P	LTR	DESCRIPTION	DATE	DWN	APVD
-	-	SEE SHEET 1	-	-	-

LOW HALOGEN

Notes:
 6 0.0002 MIN GOLD PLATING
 (7.8u INCHES GOLD PLATING)



POLYIMIDE COVER

THIS DRAWING IS A CONTROLLED DOCUMENT.		DWN FLORENCE TAN 30AUG2004	TE Connectivity	
DIMENSIONS: mm		CHK ERIC TNG 30MAY2012		
TOLERANCES UNLESS OTHERWISE SPECIFIED:		APVD SF LEONG 30MAY2012	NAME PLUG ASSEMBLY, FH 0.8 ON TAPING (EMBOSS) 0.5 BOSS LENGTH	
0 PLC ± - 1 PLC ± 0.2 2 PLC ± 0.15 3 PLC ± 0.1 4 PLC ± - ANGLES ± -		PRODUCT SPEC -	SIZE A2	CAGE CODE 00779
MATERIAL -		FINISH -	DRAWING NO. C=5177986	RESTRICTED TO -
REMARKS		WEIGHT 0	CUSTOMER DRAWING	
QTY		SCALE 1:1	SHEET 2 of 4	
HEIGHT TYPE		REV F6		

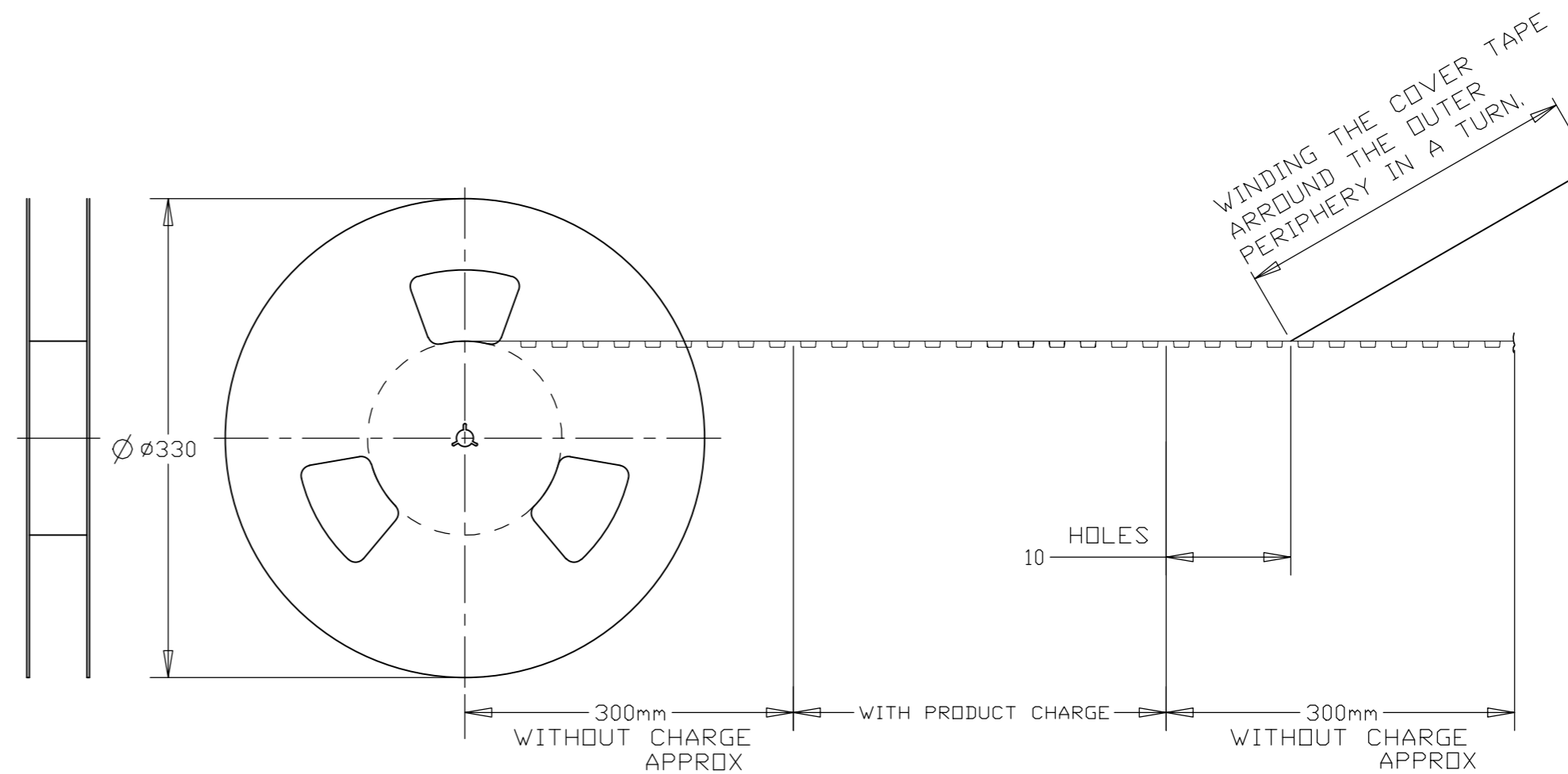
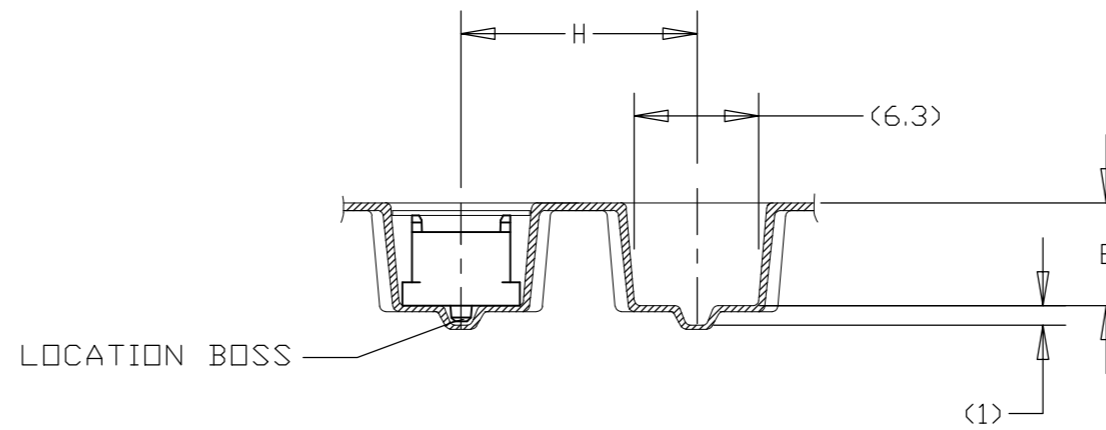
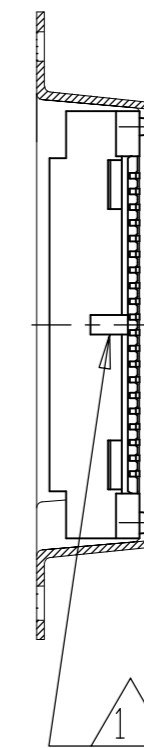
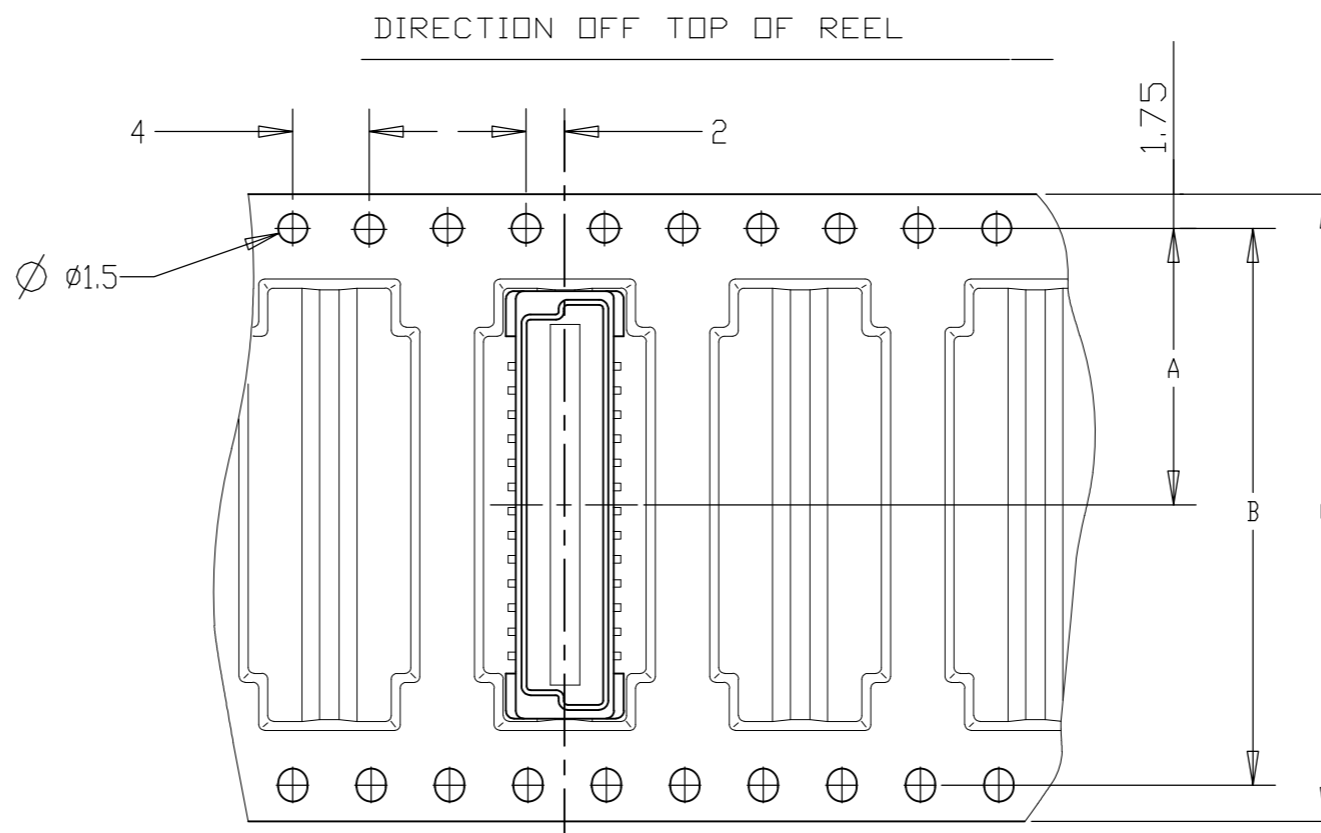
REMARKS	QTY	HEIGHT TYPE	Y	X	J	H	G	F	E	D	C	B	A	POS	SALEABLE PART NO.
															9-5177986-6

THIS DRAWING IS UNPUBLISHED. RELEASED FOR PUBLICATION
 © COPYRIGHT - TE Connectivity ALL RIGHTS RESERVED.

LOW HALOGEN

REVISIONS				
P	LTR	DESCRIPTION	DATE	APVD
-	-	SEE SHEET 1	-	-

Notes:
 2 0.00038 MIN GOLD PLATING
 (15u INCHES GOLD PLATING)



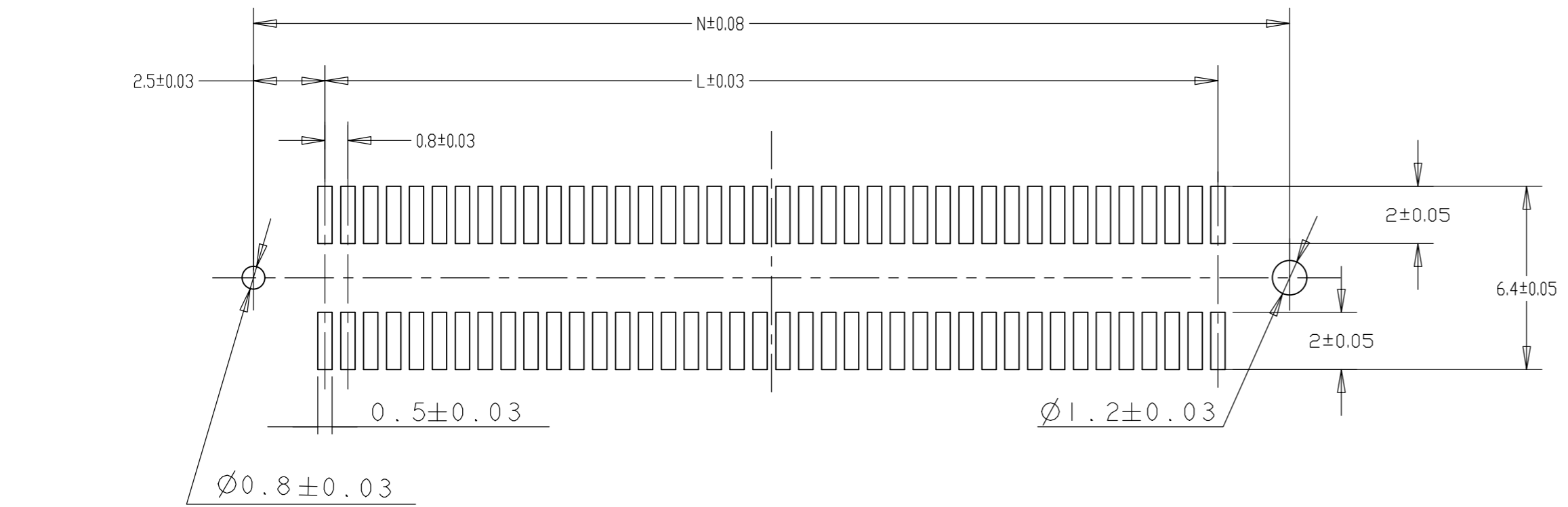
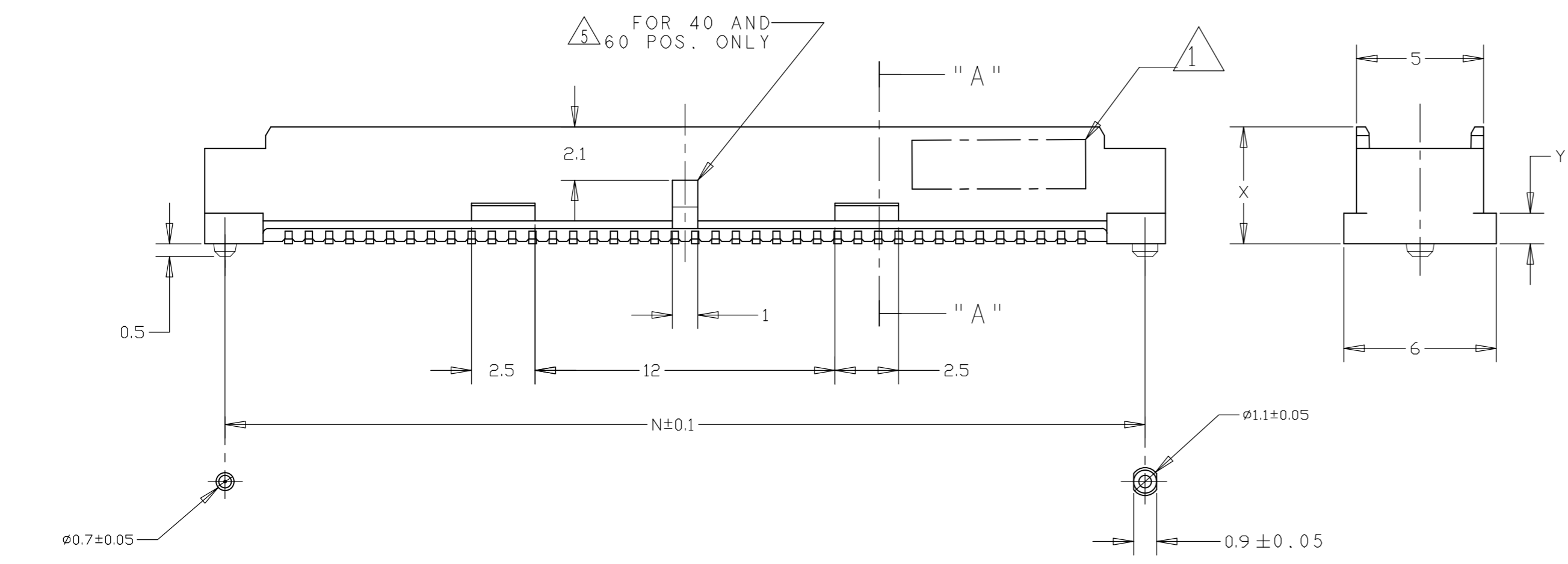
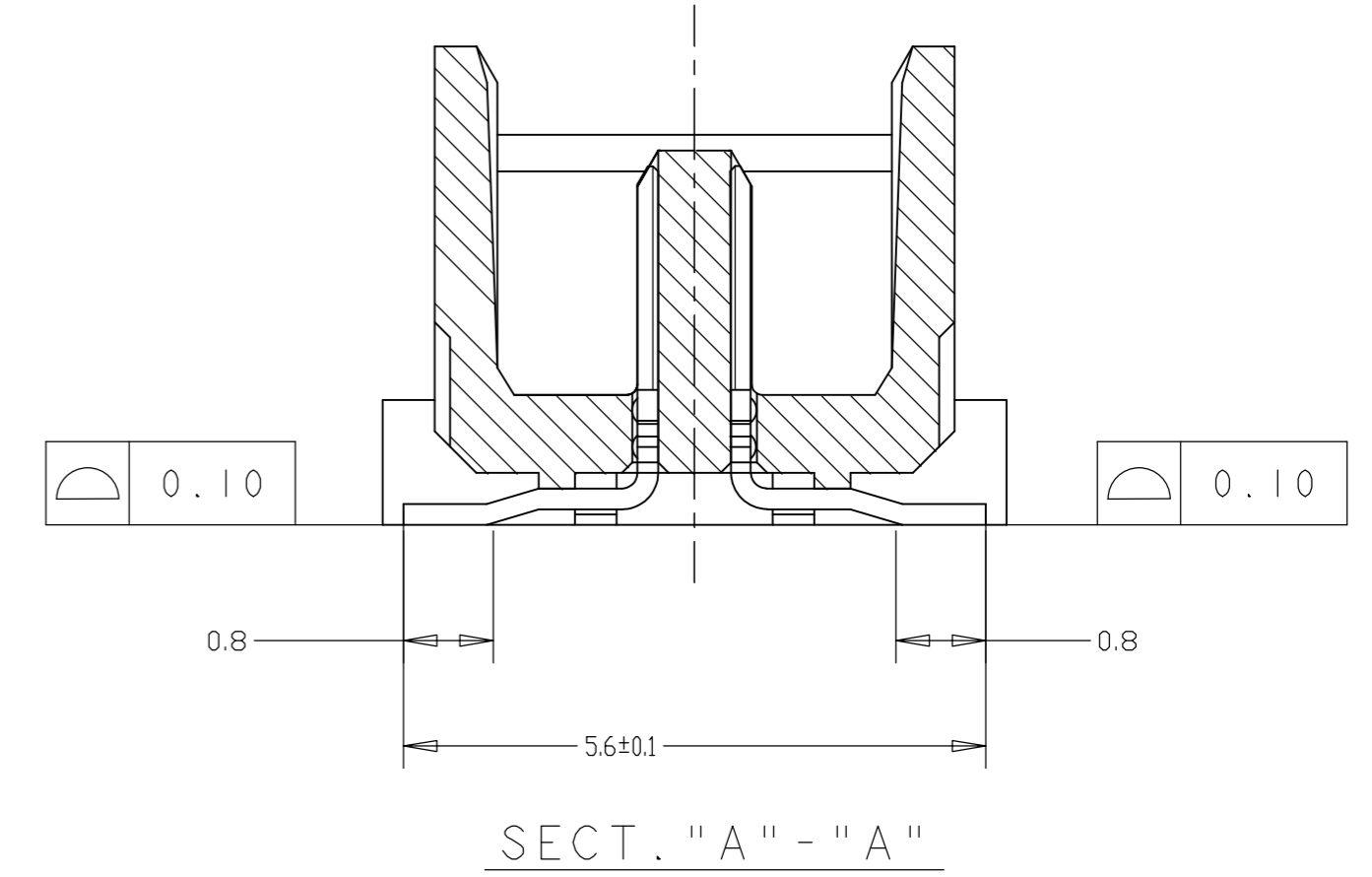
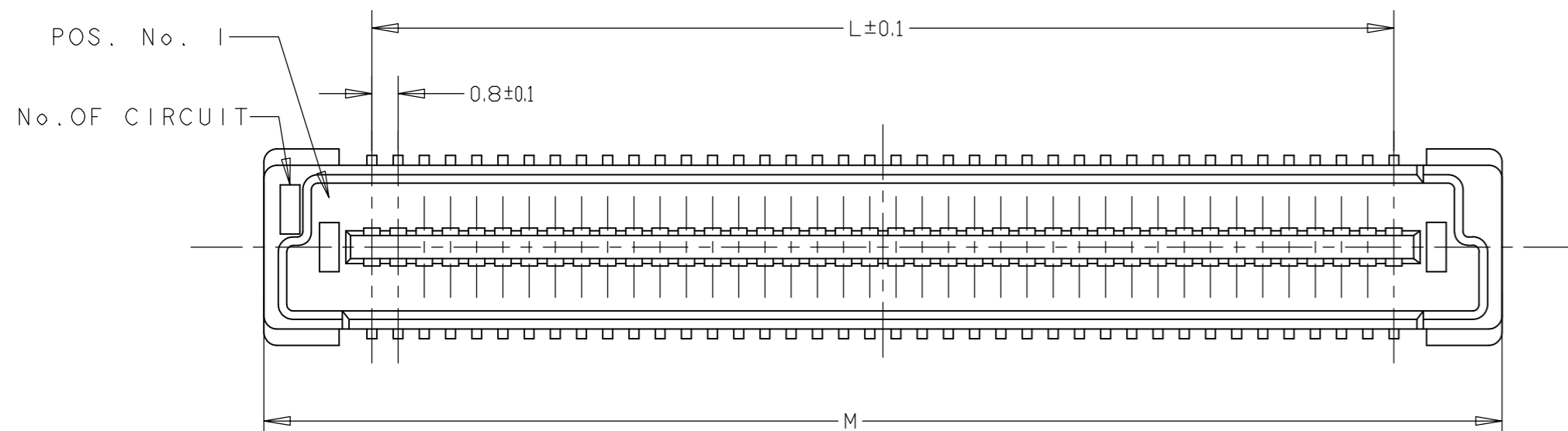
WITHOUT COVER

REMARKS	QTY	HEIGHT TYPE	Y	X	H	E	C	B	A	PDS	SALEABLE PART NO.
	650	5H	1.2	4.6	16	5.25	88	84.4	42.2	160	8-5177986-8
	650	5H	1.2	4.6	16	5.25	72	68.4	34.2	120	8-5177986-5

THIS DRAWING IS A CONTROLLED DOCUMENT.		DWN FLORENCE TAN 30AUG2004	TE Connectivity															
DIMENSIONS: mm		CHK ERIC TNG 30MAY2012																
TOLERANCES UNLESS OTHERWISE SPECIFIED:		APVD SF LEONG 30MAY2012	NAME PLUG ASSEMBLY, FH 0.8 ON TAPING (EMBOSS) 0.5 BOSS LENGTH															
<table border="1"> <tr><td>0 PLC</td><td>± -</td></tr> <tr><td>1 PLC</td><td>± 0.2</td></tr> <tr><td>2 PLC</td><td>± 0.15</td></tr> <tr><td>3 PLC</td><td>± 0.1</td></tr> <tr><td>4 PLC</td><td>± -</td></tr> <tr><td>ANGLES</td><td>± -</td></tr> <tr><td>FINISH</td><td>-</td></tr> </table>		0 PLC	± -	1 PLC	± 0.2	2 PLC	± 0.15	3 PLC	± 0.1	4 PLC	± -	ANGLES	± -	FINISH	-	PRODUCT SPEC -	SIZE A2	
0 PLC	± -																	
1 PLC	± 0.2																	
2 PLC	± 0.15																	
3 PLC	± 0.1																	
4 PLC	± -																	
ANGLES	± -																	
FINISH	-																	
MATERIAL -		APPLICATION SPEC -	CAGE CODE 00779	DRAWING NO. C-5177986														
		WEIGHT 0	RESTRICTED TO -															
		CUSTOMER DRAWING		SCALE 1:1 SHEET 3 of 4 REV F6														

THIS DRAWING IS UNPUBLISHED. RELEASED FOR PUBLICATION
 © COPYRIGHT - TE Connectivity ALL RIGHTS RESERVED.

REVISIONS				
P	LTR	DESCRIPTION	DATE	APVD
-	-	SEE SHEET 1	-	-



RECOMMENDED P.C. BOARD LAYOUT

LOW HALOGEN

CONNECTOR ONLY

84.2	85.8	79.2	200
76.2	77.8	71.2	180
68.2	69.8	63.2	160
60.2	61.8	55.2	140
52.2	53.8	47.2	120
44.2	45.8	39.2	100
36.2	37.8	31.2	80
28.2	29.8	23.2	60
20.2	21.8	15.2	40
N	M	L	POS.

THIS DRAWING IS A CONTROLLED DOCUMENT.		DWN FLORENCE TAN 30AUG2004	TE Connectivity	
DIMENSIONS: mm		CHK ERIC TNG 30MAY2012	NAME PLUG ASSEMBLY, FH 0.8 ON TAPING (EMBOSS) 0.5 BOSS LENGTH	
TOLERANCES UNLESS OTHERWISE SPECIFIED: 0 PLC ± - 1 PLC ± 0.2 2 PLC ± 0.15 3 PLC ± 0.1 4 PLC ± - ANGLES ± -		APVD SF LEONG 30MAY2012	DRAWING NO. A2 00779 C-5177986	
MATERIAL		FINISH	WEIGHT 0	RESTRICTED TO
			CUSTOMER DRAWING	SCALE 1:1 SHEET 4 of 4 REV F6