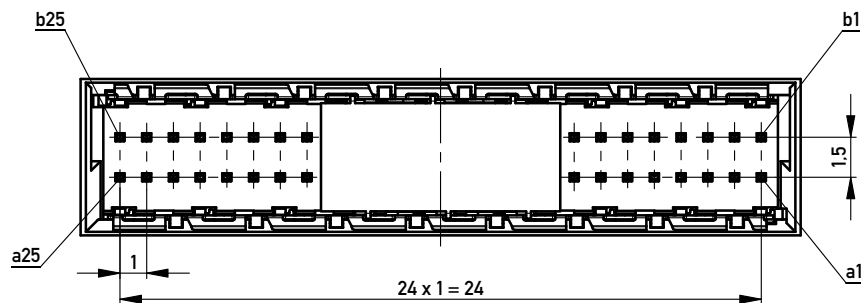
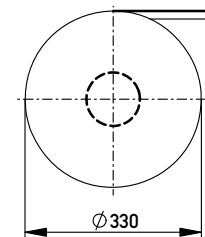
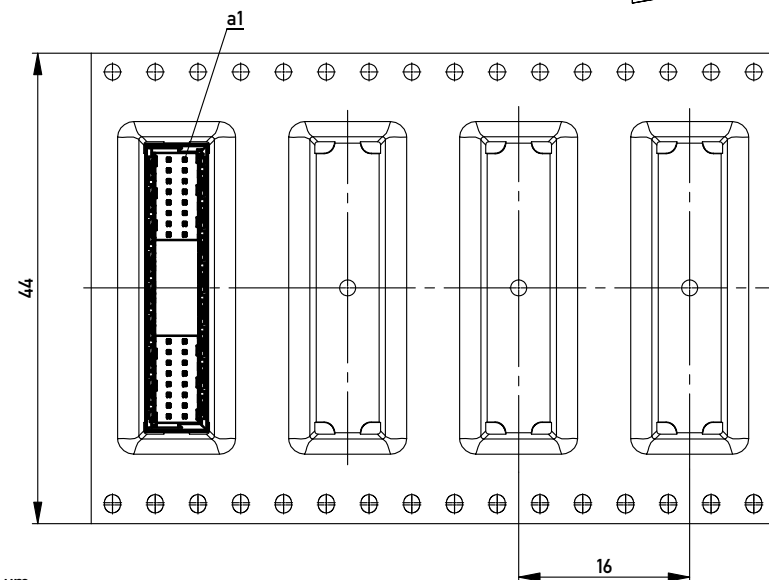


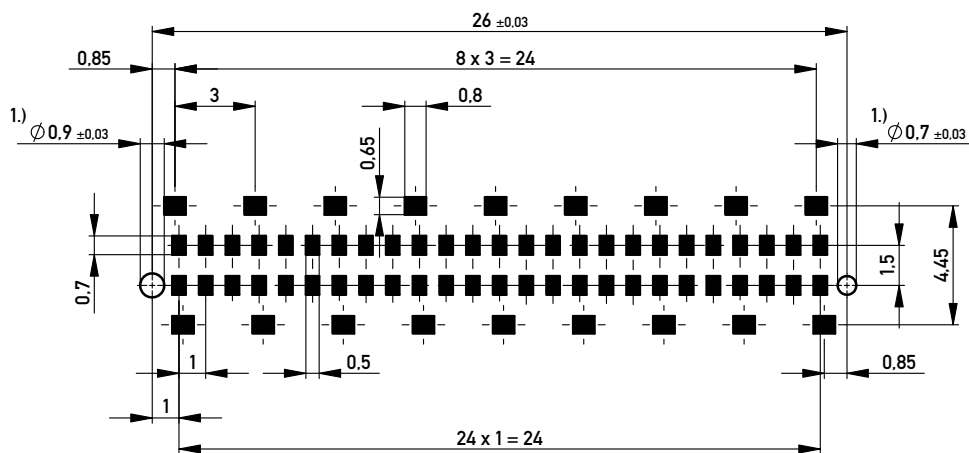
Verpackt im Gurt nach DIN IEC 60286-3
 Tape on Reel Packaging according to DIN IEC 60286-3
 Verpackungseinheit: 400 Stück
 Packaging unit: 400 pcs



Abspulrichtung - Reel off Direction



Leiterplatten-Layout Vorschlag / PCB-Layout proposal



Anforderungsstufe 1
 Performance Level 1

Kontaktbereich vergoldet
 Mating Area gold plating

Anschlussbereich verzinkt 4-6 µm
 Terminal Area 4-6 µm tin plating

Koplanarität der Anschlüsse ≤ 0.1 mm
 Coplanarity Area of Termination ≤ 0.1 mm

1.) Durchmesser des Bohrers / drill tool

Copyright by ERNI GmbH. Proprietary notice pursuant to ISO 9006 to be observed.

Information:		Tolerances		Scale	5:1
All rights reserved. Only for Information. To ensure that this is the latest version of this drawing, please contact one of the ERNI companies before using.		All Dimensions in mm		Designation	
		Subject to modification without prior notice. Drawing will not be updated.		Messerleiste 2mm SMD, 50 polig Male 2mm SMD, 50 contacts	
		www.ERNI.com		224557	
i	28.01.2014			I	
Index	Date			A3	
				Class	MSPEED

Mouser Electronics

Authorized Distributor

Click to View Pricing, Inventory, Delivery & Lifecycle Information:

[ERNI Electronics:](#)

[224557](#)