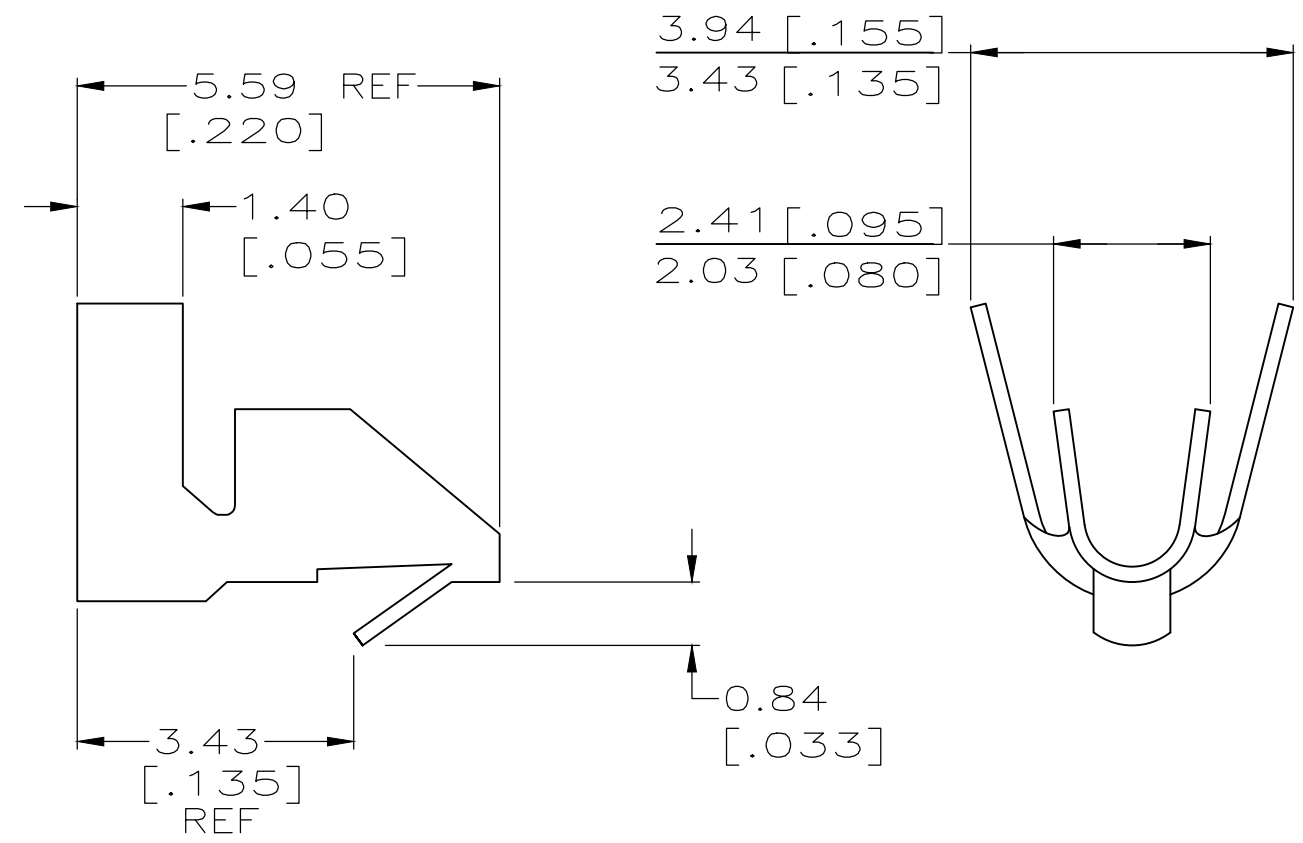
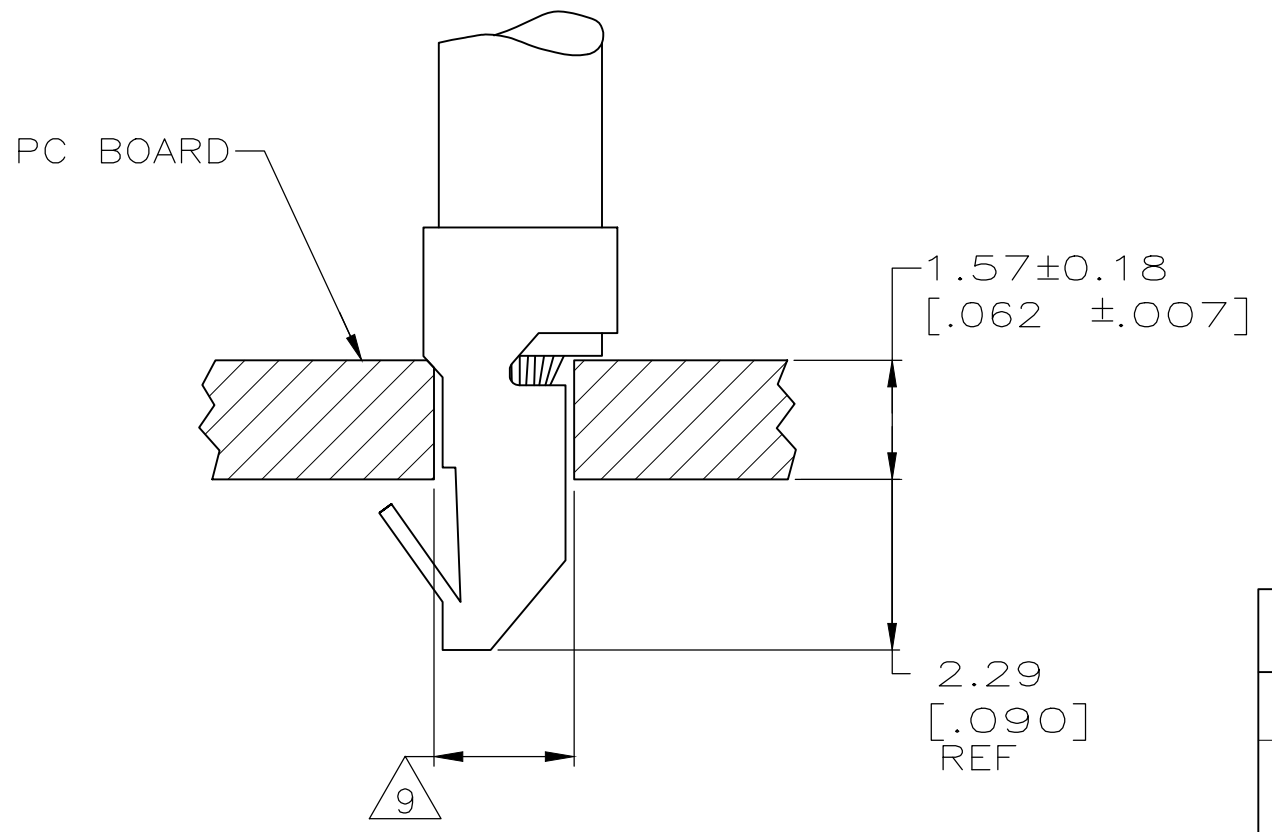


THIS DRAWING IS UNPUBLISHED. RELEASED FOR PUBLICATION
 © COPYRIGHT - By - ALL RIGHTS RESERVED.

REVISIONS				
P	LTR	DESCRIPTION	DATE	APVD
	H6	REVISED PER ECO-17-013752	20DEC2017	J.Z D.Z



- PARTS COMPLY WITH AMP SOLDERABILITY SPEC 109-11-3.
- WIRE RANGE: 0.3 - 0.9 mm² (22 - 18 AWG).
- INSULATION RANGE: 1.52 - 2.79 [.060 - .110] DIA.
- 0.00254 [.000100] MIN BRIGHT TIN-LEAD OVER 0.00203 [.000080] MIN MATTE COPPER.
- 0.00508 [.000200] MIN BRIGHT TIN-LEAD.
- DIMENSIONS IN BRACKETS ARE IN INCHES.
- FOR FOREIGN PRODUCTION ONLY.
- 4µm [.00016] MIN BRIGHT TIN PLATING.
- HOLE DIAMETER TO BE 1.83±0.08 FOR WIRE 0.3-0.6mm2 (20-22 AWG) OR 1.96±0.08 FOR WIRE 0.8-0.9mm2 (18 AWG).



FINISH	MATERIAL	PART NUMBER
8	0.20[.008] PHOS BRONZE	3-770565-2
8	0.20[.008] BRASS	3-770565-1
4 7	0.20[.008] BRASS	770565-3
8	0.20[.008] PHOS BRONZE	770565-2
4	0.20[.008] BRASS	770565-1

THIS DRAWING IS A CONTROLLED DOCUMENT.

DIMENSIONS: mm [INCHES]	TOLERANCES UNLESS OTHERWISE SPECIFIED: 0 PLC ± - 1 PLC ± - 2 PLC ± - 3 PLC ± 0.13[.005] 4 PLC ± - ANGLES ± -	DWN B. LEWIS 12-20-89 CHK R. SWING 12-21-89 APVD W. LONG 12-21-89	TE Connectivity NAME: MINI AMP-IN	
MATERIAL: SEE TABLE	FINISH: SEE TABLE	PRODUCT SPEC: - APPLICATION SPEC: - WEIGHT: 0.000000	SIZE: A3 CAGE CODE: 00779 DRAWING NO: C-770565	RESTRICTED TO: -

CUSTOMER DRAWING SCALE 10:1 SHEET 1 OF 1 REV H6

Mouser Electronics

Authorized Distributor

Click to View Pricing, Inventory, Delivery & Lifecycle Information:

[TE Connectivity:](#)

[770565-2](#)