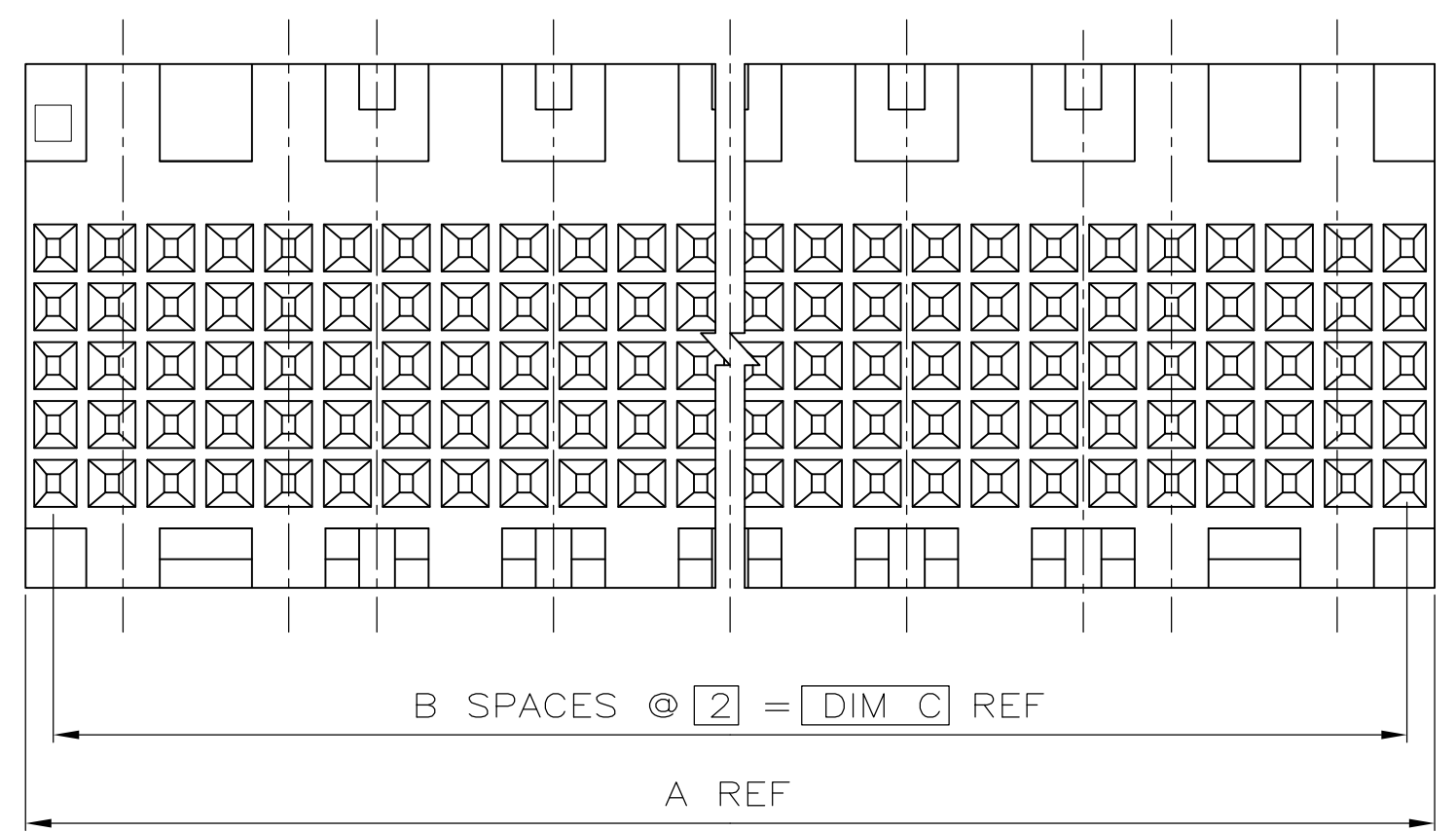
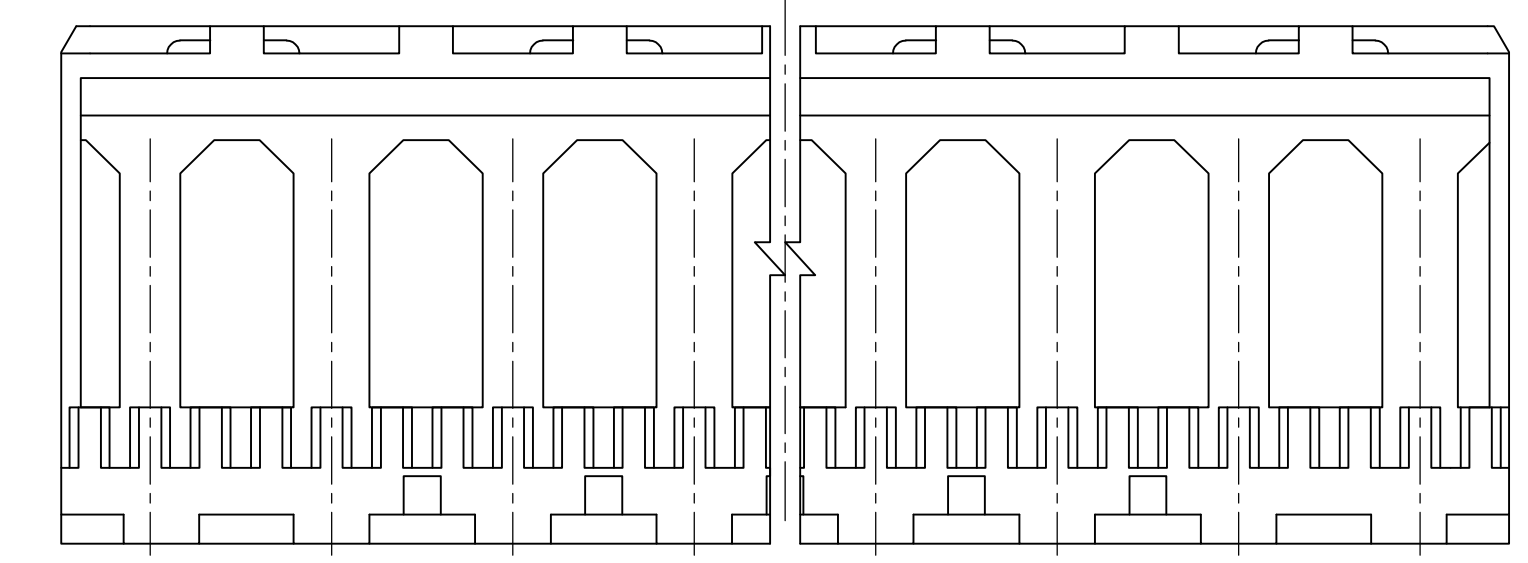
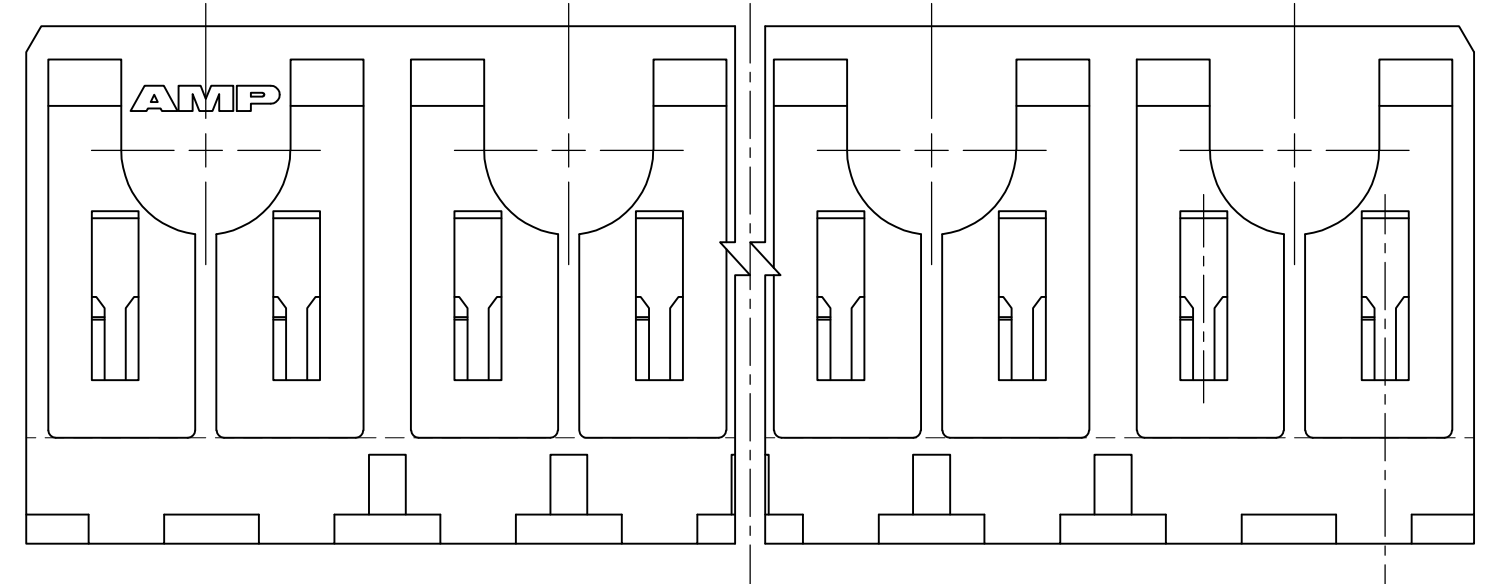
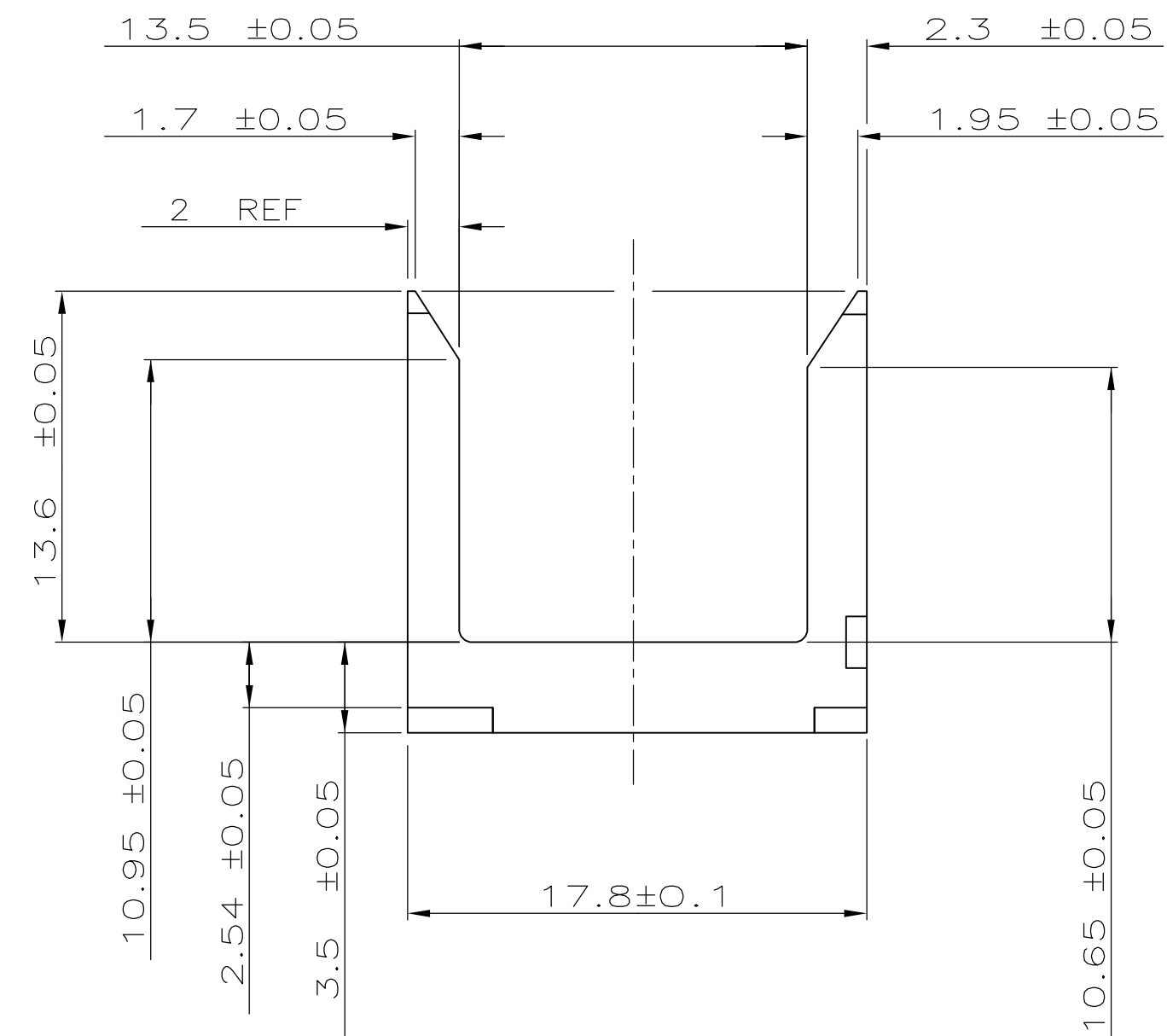
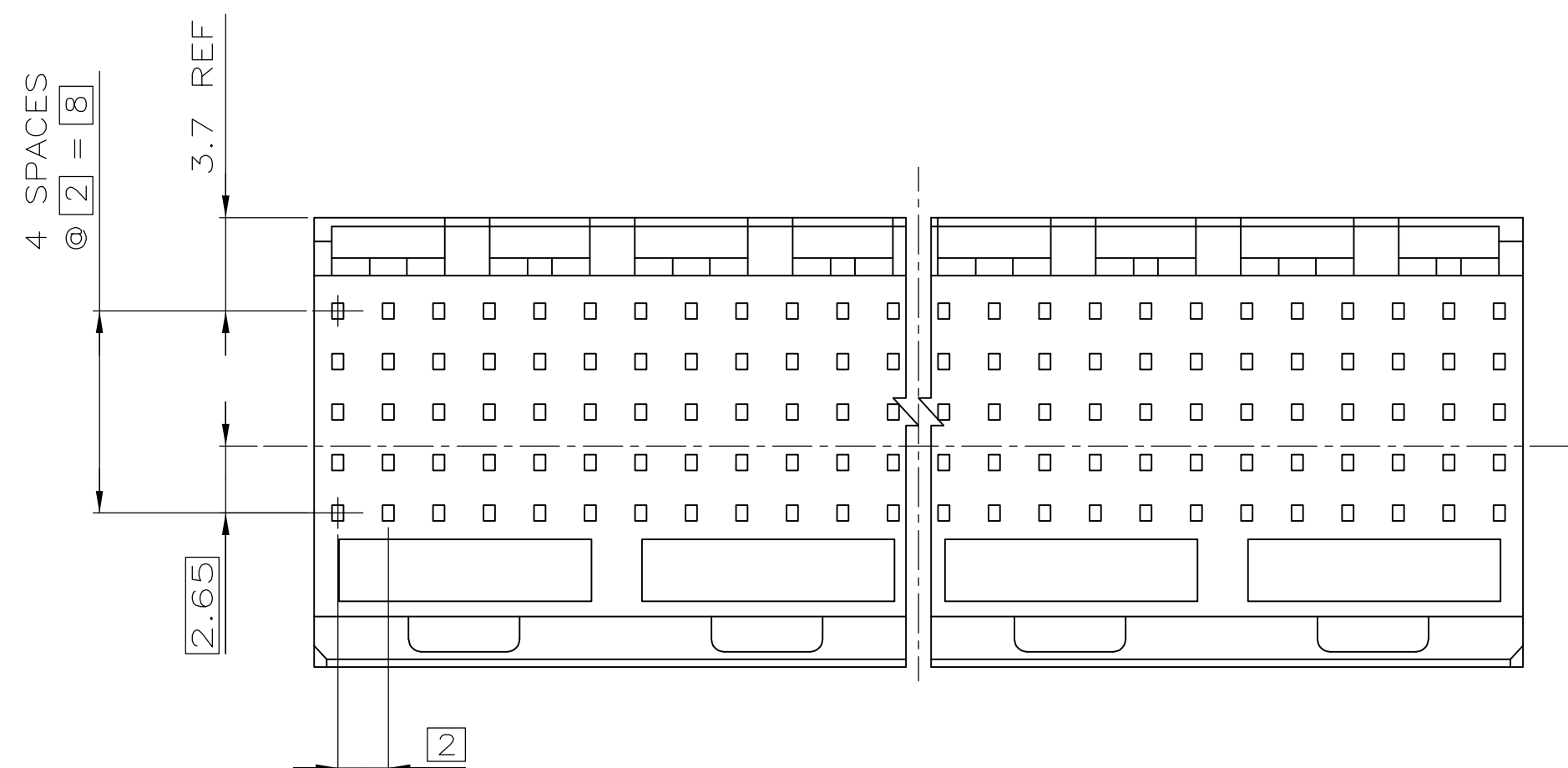


LOC	DIST	REVISIONS					
AD	47	REV	LTR	DESCRIPTION	DATE	DWN	APVD
		B		REVISE PER ECN 0U1B-0111-99	24MAR00	SU	DK
		B1		REVISED PER ECO-09-020935	26AUG09	KK	AEG

- ① MATERIAL: LIQUID CRYSTAL POLYMER, COLOR: NATURAL.
- ② OBSOLETE PARTS: OBSOLETE CIS STREAMLINING PER D.RENAUD/D.SINISI



② OBSOLETE	C	B	A	NUMBER OF SIGNAL POSITIONS	PART NUMBER
106	53	107.88	270		223041-9
94	47	95.88	240		223041-8
82	41	83.88	210		223041-7
② OBSOLETE	70	35	71.88	180	223041-6
	58	29	59.88	150	223041-5
	46	23	47.88	120	223041-4
	34	17	35.88	90	223041-3
	22	11	23.88	60	223041-2
	10	5	11.88	30	223041-1

THE DRAWING IS A CONTROLLED DOCUMENT FOR AMP. REPERMITS IF A SUBJECT TO CHANGE AND THE CONTROLLING ENGINEERING ORGANIZATION SHOULD BE CONTACTED FOR THE LATEST REVISION.

DWN: R. BUCHHEISTER 08/JUL/96  
 CHK: D. BAECHTLE 08/JUL/96  
 D.P. 08/JUL/96  
 D. SINISI 08/JUL/96

AMP Incorporated  
 Harrisburg, PA 17105-3608

SHROUD, SIGNAL, VERTICAL, 5 ROW, Z-PACK 2mm FB

SIZE: A1 CAGE CODE: 00779 DRAWING NO: C-223041  
 WEIGHT: -- SCALE: 4:1 SHEET 1 OF 1 REV 01

CUSTOMER DRAWING

# Mouser Electronics

Authorized Distributor

Click to View Pricing, Inventory, Delivery & Lifecycle Information:

[TE Connectivity:](#)

[223041-2](#)