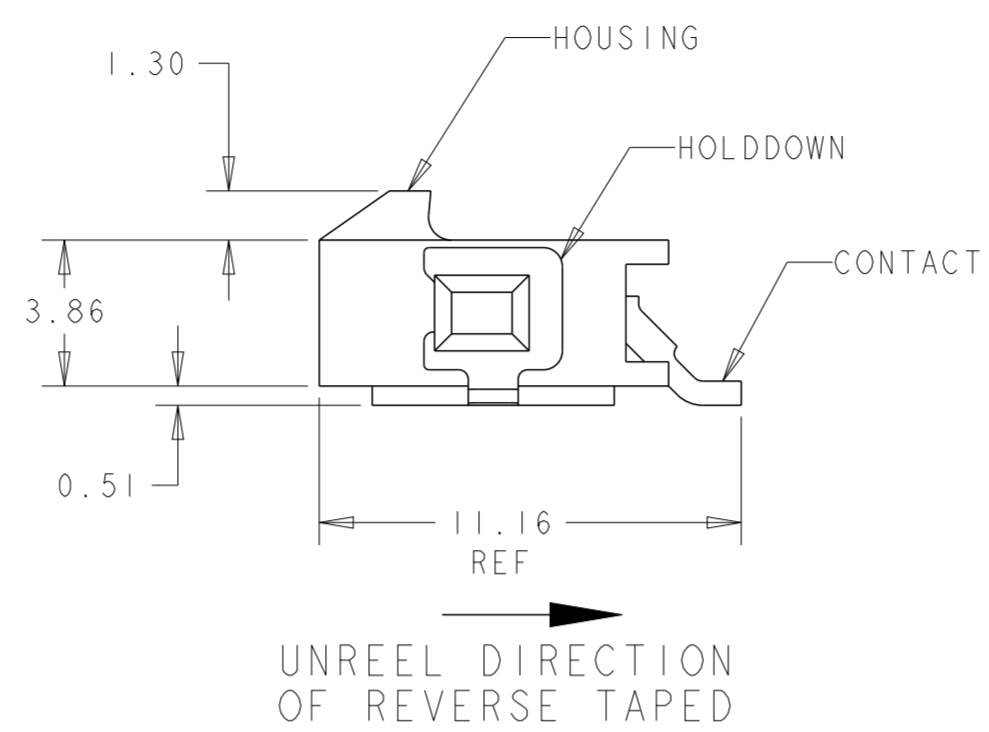
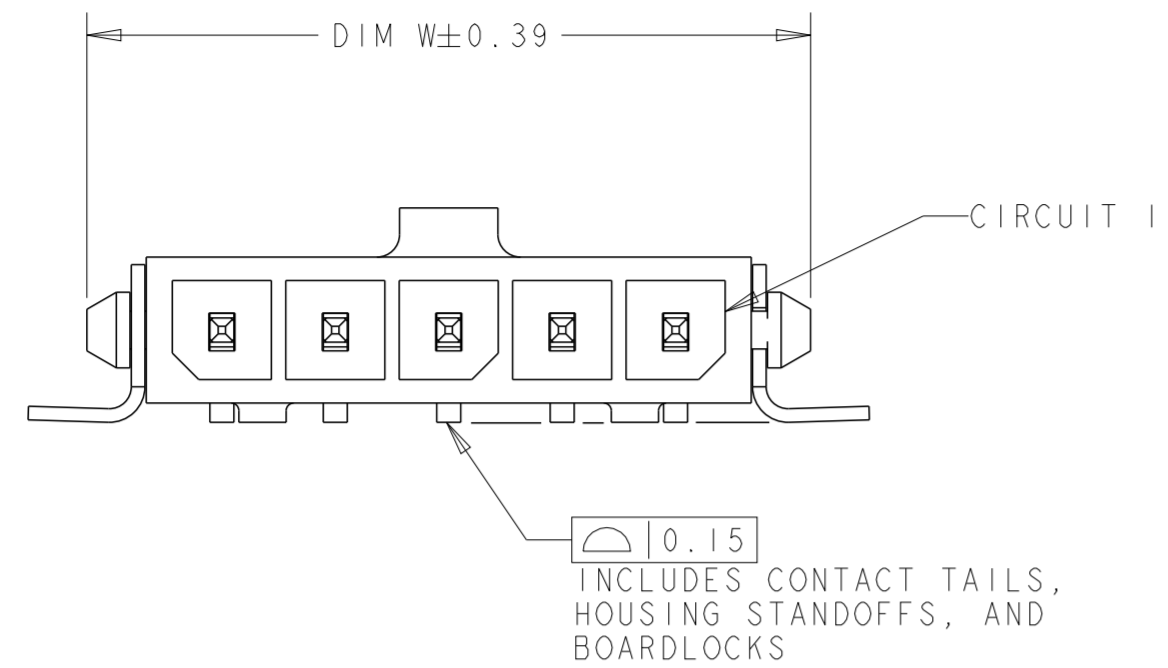
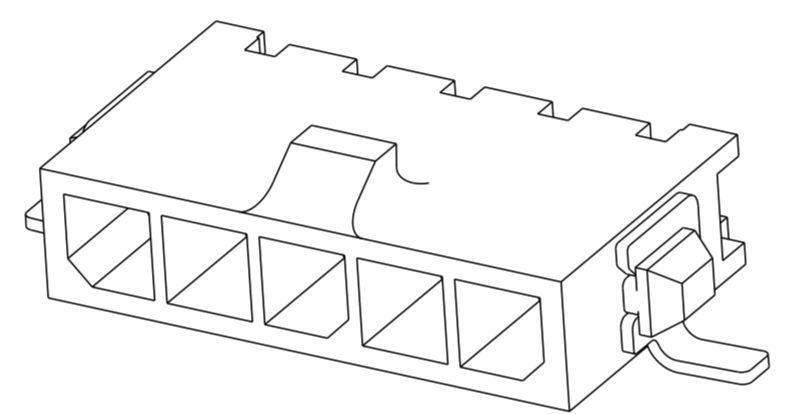
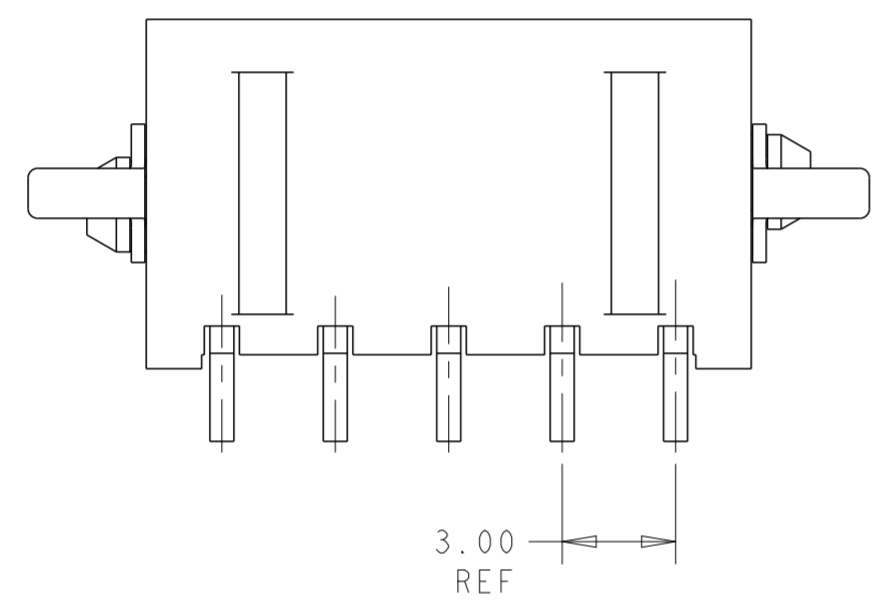


THIS DRAWING IS UNPUBLISHED. RELEASED FOR PUBLICATION 2009  
 © COPYRIGHT 2009 BY - ALL RIGHTS RESERVED.

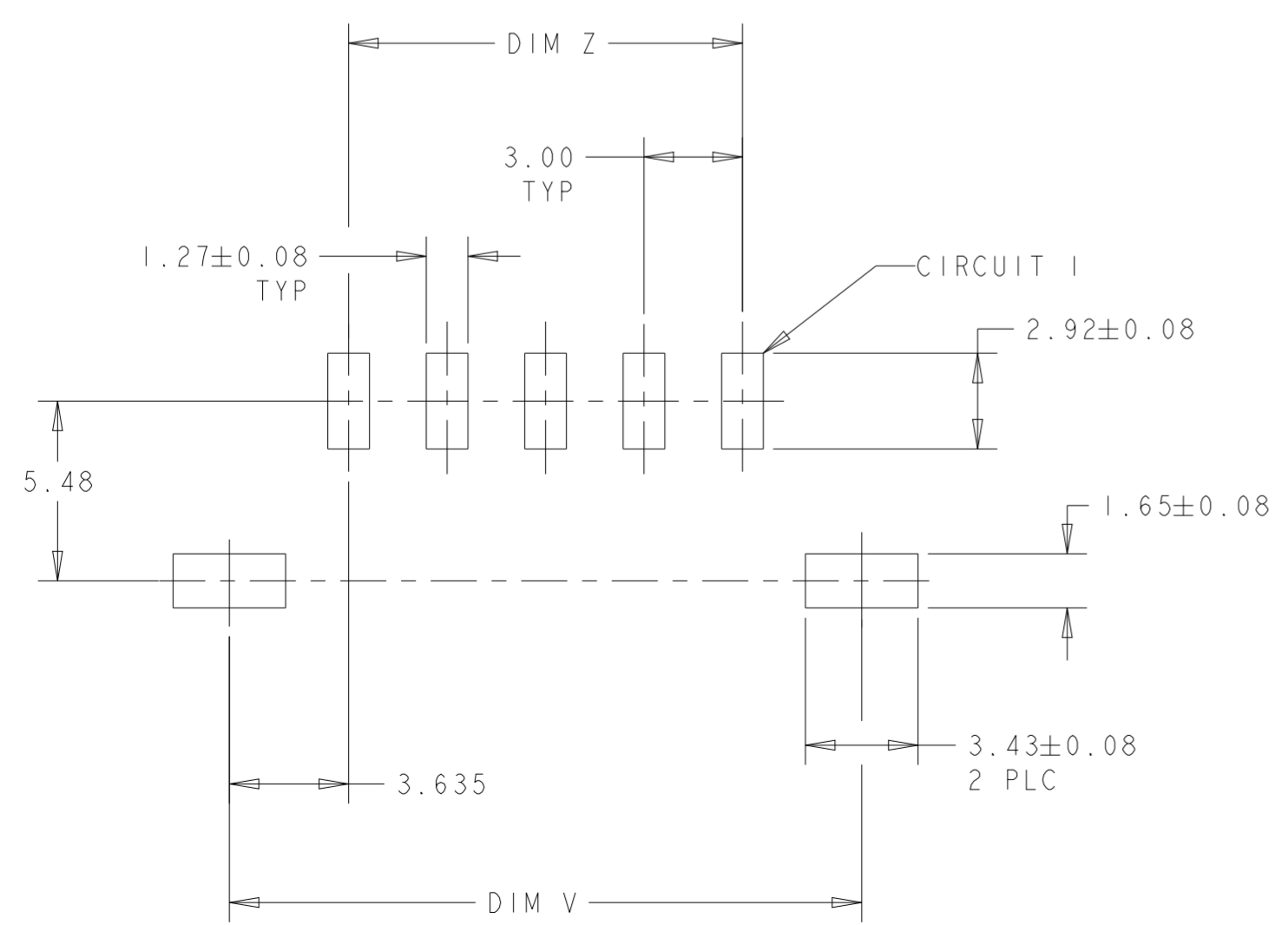
| REVISIONS |     |                           |           |     |      |
|-----------|-----|---------------------------|-----------|-----|------|
| P         | LTR | DESCRIPTION               | DATE      | DWN | APVD |
|           | C2  | REVISED PER ECR-16-011494 | 20JUN2017 | NK  | CX   |



- 1 MATERIAL: CONTACTS - BRASS  
HOUSING - UL 94V-0 RATED HIGH TEMP NYLON, COLOR BLACK.  
HOLDDOWNS: - PHOSPHOR BRONZE.
- 2 PLATING: CONTACTS - 0.76µm MINIMUM GOLD ON MATING END,  
2.54µm MINIMUM TIN LEAD ON SOLDER TAILS, BOTH OVER  
1.27µm MINIMUM NICKEL.  
HOLDDOWNS: 2.54µm MINIMUM MATTE TIN OVER 1.27µm MINIMUM NICKEL.
- 4 RECOMMENDED PC BOARD THICKNESS OF 1.57.
- 5 PLATING: CONTACTS - 0.76µm MINIMUM GOLD ON MATING END,  
2.54µm MINIMUM MATTE TIN ON SOLDER TAILS, BOTH OVER  
1.27µm MINIMUM NICKEL.  
HOLDDOWNS: 2.54µm MINIMUM MATTE TIN OVER 1.27µm MINIMUM NICKEL.



| REVERSE TAPED             | 5 | 9.00  | 16.41 | 16.00 | 4  | 6-1445100-4 |
|---------------------------|---|-------|-------|-------|----|-------------|
| TAPED                     | 5 | 33.00 | 40.41 | 40.00 | 12 | 3-1445100-2 |
| TAPED                     | 5 | 30.00 | 37.41 | 37.00 | 11 | 3-1445100-1 |
| TAPED                     | 5 | 27.00 | 34.41 | 34.00 | 10 | 3-1445100-0 |
| TAPED                     | 5 | 24.00 | 31.41 | 31.00 | 9  | 2-1445100-9 |
| TAPED                     | 5 | 21.00 | 28.41 | 28.00 | 8  | 2-1445100-8 |
| TAPED                     | 5 | 18.00 | 25.41 | 25.00 | 7  | 2-1445100-7 |
| TAPED                     | 5 | 15.00 | 22.41 | 22.00 | 6  | 2-1445100-6 |
| TAPED                     | 5 | 12.00 | 19.41 | 19.00 | 5  | 2-1445100-5 |
| TAPED                     | 5 | 9.00  | 16.41 | 16.00 | 4  | 2-1445100-4 |
| TAPED                     | 5 | 6.00  | 13.41 | 13.00 | 3  | 2-1445100-3 |
| TAPED                     | 5 | 3.00  | 10.41 | 10.00 | 2  | 2-1445100-2 |
| SUPERSEDED BY 3-1445055-2 | 2 | 33.00 | 40.41 | 40.00 | 12 | +1445100-2  |
| SUPERSEDED BY 3-1445055-1 | 2 | 30.00 | 37.41 | 37.00 | 11 | +1445100-1  |
| SUPERSEDED BY 3-1445055-0 | 2 | 27.00 | 34.41 | 34.00 | 10 | +1445100-0  |
| SUPERSEDED BY 2-1445055-9 | 2 | 24.00 | 31.27 | 31.00 | 9  | +445100-9   |
| SUPERSEDED BY 2-1445055-8 | 2 | 21.00 | 28.41 | 28.00 | 8  | +445100-8   |
| SUPERSEDED BY 2-1445055-7 | 2 | 18.00 | 25.41 | 25.00 | 7  | +445100-7   |
| SUPERSEDED BY 2-1445055-6 | 2 | 15.00 | 22.41 | 22.00 | 6  | +445100-6   |
| SUPERSEDED BY 2-1445055-5 | 2 | 12.00 | 19.41 | 19.00 | 5  | +445100-5   |
| SUPERSEDED BY 2-1445055-4 | 2 | 9.00  | 16.41 | 16.00 | 4  | +445100-4   |
| SUPERSEDED BY 2-1445055-3 | 2 | 6.00  | 13.41 | 13.00 | 3  | +445100-3   |
| SUPERSEDED BY 2-1445055-2 | 2 | 3.00  | 10.41 | 10.00 | 2  | +445100-2   |



PCB LAYOUT COMPONENT SIDE 4

|                           |       |   |       |       |       |    |            |
|---------------------------|-------|---|-------|-------|-------|----|------------|
| SUPERSEDED BY 3-1445055-2 | TAPED | 5 | 33.00 | 40.41 | 40.00 | 12 | +1445100-2 |
| SUPERSEDED BY 3-1445055-1 | TAPED | 5 | 30.00 | 37.41 | 37.00 | 11 | +1445100-1 |
| SUPERSEDED BY 3-1445055-0 | TAPED | 5 | 27.00 | 34.41 | 34.00 | 10 | +1445100-0 |
| SUPERSEDED BY 2-1445055-9 | TAPED | 5 | 24.00 | 31.27 | 31.00 | 9  | +445100-9  |
| SUPERSEDED BY 2-1445055-8 | TAPED | 5 | 21.00 | 28.41 | 28.00 | 8  | +445100-8  |
| SUPERSEDED BY 2-1445055-7 | TAPED | 5 | 18.00 | 25.41 | 25.00 | 7  | +445100-7  |
| SUPERSEDED BY 2-1445055-6 | TAPED | 5 | 15.00 | 22.41 | 22.00 | 6  | +445100-6  |
| SUPERSEDED BY 2-1445055-5 | TAPED | 5 | 12.00 | 19.41 | 19.00 | 5  | +445100-5  |
| SUPERSEDED BY 2-1445055-4 | TAPED | 5 | 9.00  | 16.41 | 16.00 | 4  | +445100-4  |
| SUPERSEDED BY 2-1445055-3 | TAPED | 5 | 6.00  | 13.41 | 13.00 | 3  | +445100-3  |
| SUPERSEDED BY 2-1445055-2 | TAPED | 5 | 3.00  | 10.41 | 10.00 | 2  | +445100-2  |

| PACKAGING                              | FINISH | DIM Z                                  | DIM V | DIM W  | NO. OF POSN | PART NUMBER |
|--|--------|--|-------|--|-------------|-------------|
| THIS DRAWING IS A CONTROLLED DOCUMENT. |        |  |       |  |             |             |
| DIMENSIONS: mm                         |        | TOLERANCES UNLESS OTHERWISE SPECIFIED: |       | DWN J. ROOT 09OCT2000  |             |             |
| 0 PLC ±                                |        | 1 PLC ±                                |       | CHK K. WHITAKER 17-APR-2001  |             |             |
| 2 PLC ±0.13                            |        | 3 PLC ±                                |       | APVD C. JONES 17-APR-2001  |             |             |
| 4 PLC ±                                |        | ANGLES ±                               |       | NAME   |             |             |
| FINISH                                 |        | SEE TABLE                              |       | STE TE Connectivity  |             |             |
| MATERIAL                               |        | SEE TABLE                              |       | RIGHT ANGLE SURFACE MNT HEADER ASSY, 0.76 MIC GOLD CONTACTS, W/SURF MOUNT, HOLDDOWNS, SGL ROW, MICRO MATE-N-LOK™ |             |             |
| CUSTOMER DRAWING                       |        | SCALE 5:1                              |       | SHEET 1 OF 1   |             | REV C2      |

# Mouser Electronics

Authorized Distributor

Click to View Pricing, Inventory, Delivery & Lifecycle Information:

[TE Connectivity:](#)

[2-1445100-3](#)