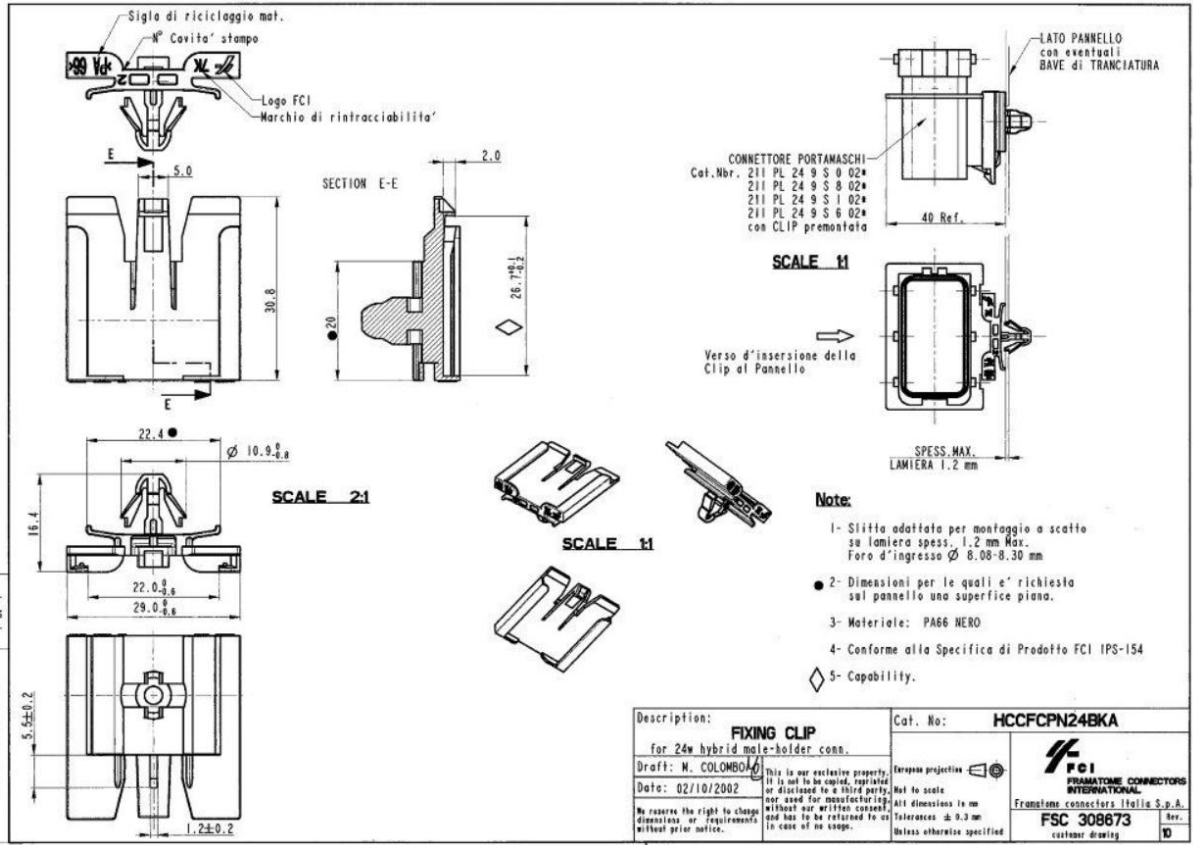


FSC 308673

SHEET 01



CONNETTORE PORTAMASCHI
 Cat. Nbr. 211 PL 24 9 S 0 02*
 211 PL 24 9 S 8 02*
 211 PL 24 9 S 1 02*
 211 PL 24 9 S 6 02*
 con CLIP premontata


SCALE 1:1

Verso d'inserzione della
 Clip al Pannello

SP. MAX.
 LAMIERA 1.2 mm

Note:

- 1- Slitta adattata per montaggio a scatto su lamiera spess. 1.2 mm Max. Foro d'ingresso \varnothing 8.08-8.30 mm
- 2- Dimensioni per le quali e' richiesta sul pannello una superficie piana.
- 3- Materiale: PA66 NERO
- 4- Conforme alla Specifica di Prodotto FCI IPS-154
- 5- Capabilità.

Description: FIXING CLIP for 24w hybrid male-holder conn.		Cat. No: HCCFCPN24BKA	
Draft: M. COLOMBO	This is our exclusive property. It is not to be copied, replicated or disclosed in a third party, not to scale nor used for manufacturing without our written consent and has to be referred to us in case of no usage.	European projection	 FCI PRIMATEC CONNECTORS INTERNATIONAL Primatec connectors Italia S.p.A. FSC 308673
Date: 02/10/2002			
We reserve the right to change dimensions or requirements without prior notice.		Rev. customer drawing 10	

Mouser Electronics

Authorized Distributor

Click to View Pricing, Inventory, Delivery & Lifecycle Information:

[Aptiv:](#)

[HCCFCPN24BKA](#) [HCCFCPN24BKA-B](#)