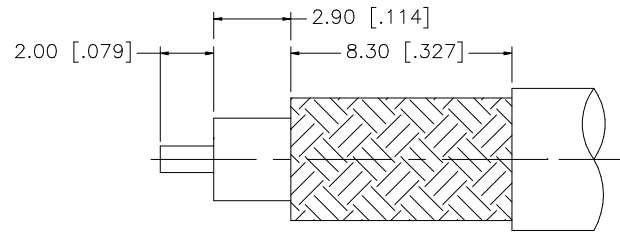
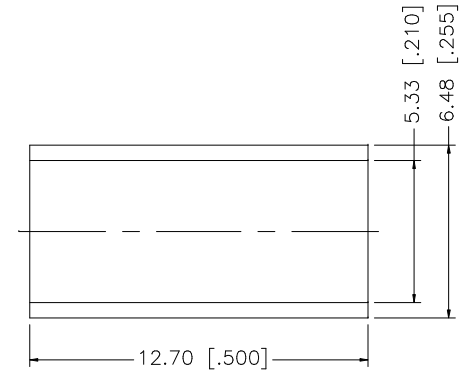
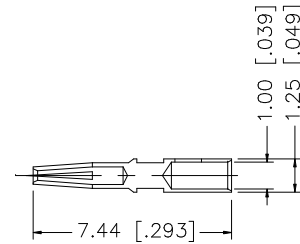
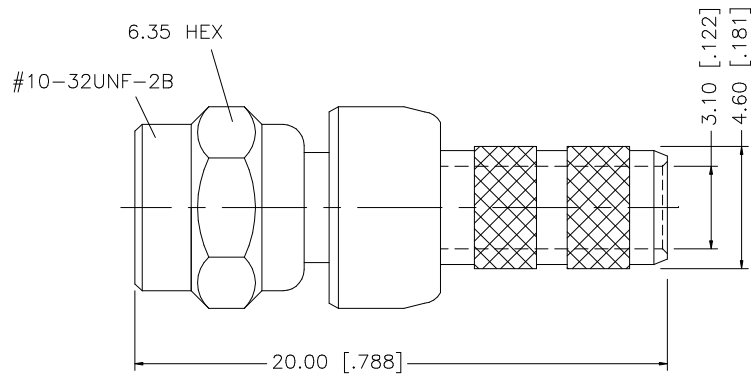


REV.	DATE	DESCRIPTION
NC	12/09/03	INITIAL RELEASE



RECOMMENDED CABLE STRIPPING DIMS.



CRIMP NOTES:

1. CRIMPED FERRULE  
HEX CRIMP SIZE .213"
2. CONTACT PIN TO SOLDER

REV.	DATE	DESCRIPTION
8		
7		
6		
5		
4	FERRULE	COPPER
3	CONTACT PIN	BER. COPPER
2	INSULATOR	TEFLON
1	BODY	BRASS
	DESCRIPTION	MATERIAL
		FINISH
		QTY
UNLESS OTHERWISE SPECIFIED DIMENSIONS ARE IN MILLIMETERS. DIMENSIONS IN [ ] ARE IN INCHES AND FOR CUSTOMER REFERENCE ONLY.  UNLESS OTHERWISE SPECIFIED TOLERANCES FOR MILLIMETERS ARE: 0.5 - 8mm ± 0.20mm 8 - 30mm ± 0.40mm 30 - 120mm ± 0.50mm  UNLESS OTHERWISE SPECIFIED TOLERANCES FOR INCHES ARE: .020 - .315 = ± 0.007" .315 - 1.180 = ± 0.015" 1.180 - 4.724 = ± 0.020"  DO NOT SCALE DRAWING		
APPROVALS		DATE
DRAWN G.R.S.		12/09/03
CHECKED		
ISSUED		
SHEET 1 OF 1		
CAD FILE		C:/152/152134.DWG
<h1>Amphenol Connex</h1>		
PART DESCRIPTION		
<b>SMC CRIMP PLUG (FOR RG-58/U CABLE)</b>		
PART NO.		
<b>152134</b>		
DWG. NO.	152134.DWG	REV. NC
SIZE	A	SCALE NA

# Mouser Electronics

Authorized Distributor

Click to View Pricing, Inventory, Delivery & Lifecycle Information:

[Amphenol:](#)

[152134](#)