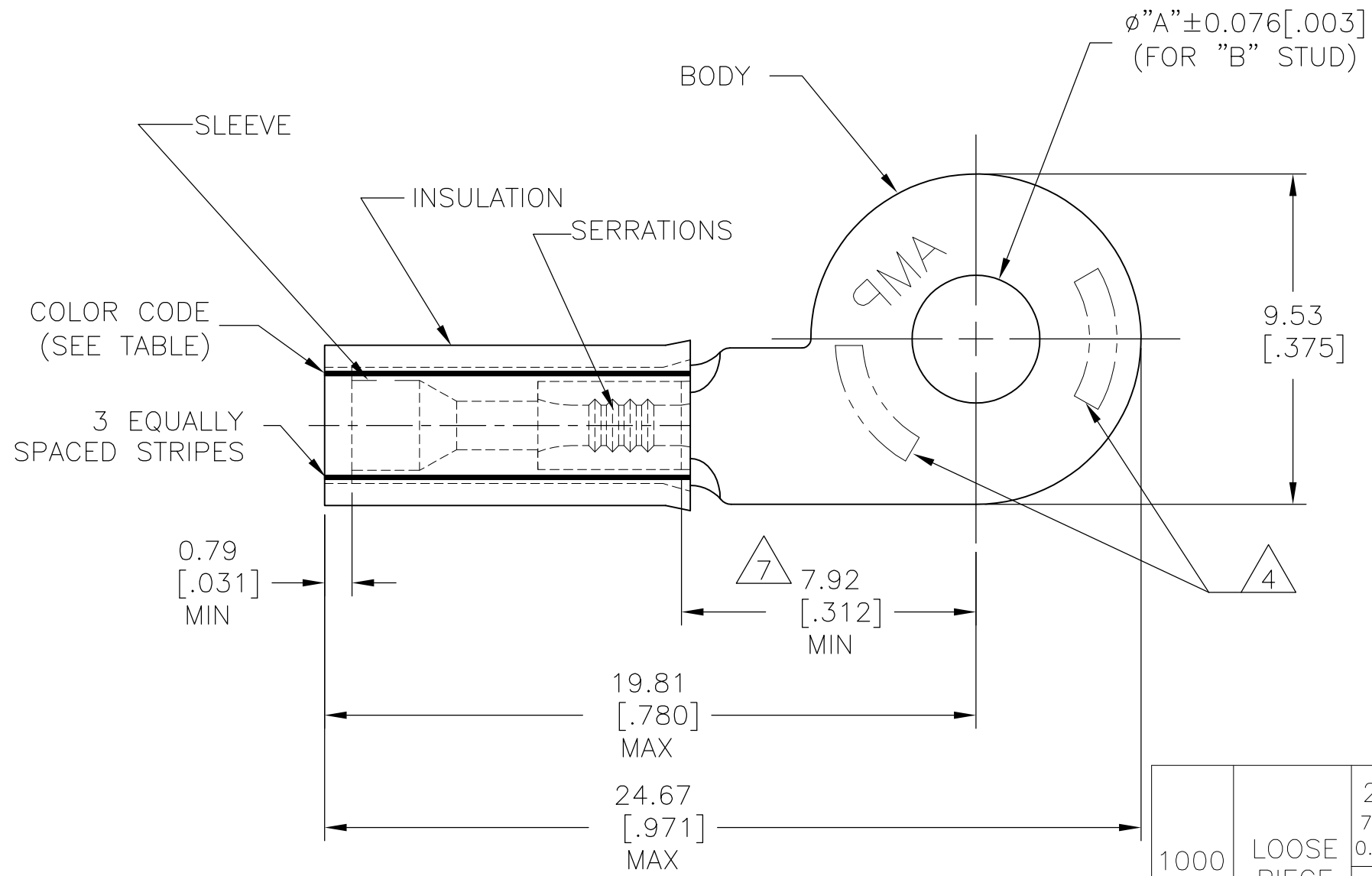


THIS DRAWING IS UNPUBLISHED. RELEASED FOR PUBLICATION
 © COPYRIGHT - By - ALL RIGHTS RESERVED.

| REVISIONS | | | | | |
|-----------|-----|---------------------------|-----------|-----|------|
| P | LTR | DESCRIPTION | DATE | DWN | APVD |
| G1 | | REVISED PER ECO-16-014995 | 19OCT2016 | RS | DR |



- 1 NOTE DELETED.
- 2 TONGUE MATERIAL THICKNESS:
0.79±0.05[.031±.002].
- 3 FOR C/D WIRE INS DIA.
- △4 STAMPING (SEE TABLE).
- △5 MATERIAL & FINISH
BODY & SLEEVE:
COPPER PER ASTM B152
TIN PL. PER ASTM B545.
- △6 INSULATION: NYLON ASTM D4066
COLOR : RED.
- △7 APPLIES FROM EDGE OF METAL WIRE BARREL
TO CENTER OF STUD HOLE.

| | | | | | | | | | |
|------|-----------------|---|---------------|----------------------------------|---------------------|----------------------------------|-----|------------------|--------------------|
| 1000 | LOOSE PIECE | 22AWG 754 CMA 0.38 mm ² | GREEN | 3.68 [.145] | M3.5 [#6] | 2.79 [.110] 0.96 [.038] | 22 | 1/2 | 52884-4 |
| | | 20AWG 1186 CMA 0.60 mm ² | RED | 5.00 [.197] 3.68 [.145] | #10 M3.5 [#6] | 2.79 [.110] 1.17 [.046] | 20 | 1 | 52884-3 52884-2 |
| QTY | PACKAGE TYPE | WIRE SIZE | COLOR CODE | "A" | "B" | 'C' | 'D' | WIRE STAMPING | SIZE PART NO |

| | | | | | | | | | | | |
|--|--|--|--|---|------------------------------------|---|------------------|-----------|--------------|-----------------|-----------|
| CUSTOMER SERVICE SYSTEMS | | MAX RECOMMENDED OPERATING TEMPERATURE: 105°C[221°F] MAX | THIS DRAWING IS A CONTROLLED DOCUMENT. | | DWN jr_ruth 08JUN09 | TE Connectivity WIRE TERMINAL, PIDG-OFF SET, RING TONGUE, INSULATION RESTRICTED | | | | | |
| FOR ADDITIONAL PRODUCT INFORMATION OR COPIES OF DRAWINGS AND TECHNICAL DOCUMENTS | PRODUCT INFORMATION CENTER 1-800-522-6752 | VOLTAGE RATING: 300 V MAX | DIMENSIONS: mm [INCHES] | TOLERANCES UNLESS OTHERWISE SPECIFIED: | CHK TOM MICHIELUTTI 08JUN09 | | | | | | |
| FOR APPLICATION TOOLING INFORMATION | TOOLING ASSISTANCE CENTER 1-800-722-1111 | CIRCULAR MIL AREA: SEE TABLE | | 0 PLC ± - 1 PLC ± - 2 PLC ± - 3 PLC ± 0.20[.008] 4 PLC ± - ANGLES ± 5° | APVD TOM MICHIELUTTI 08JUN09 | NAME | SIZE | CAGE CODE | DRAWING NO | RESTRICTED TO | |
| FOR ORDER ENTRY | 1-800-526-5142 | | MATERIAL △5 | FINISH △6 | PRODUCT SPEC | | A3 | 00779 | C-52284 | | |
| | | | | | APPLICATION SPEC | | CUSTOMER DRAWING | | SCALE NTS | SHEET 1 OF 1 | REV G1 |

Mouser Electronics

Authorized Distributor

Click to View Pricing, Inventory, Delivery & Lifecycle Information:

[TE Connectivity:](#)

[52284-3](#)