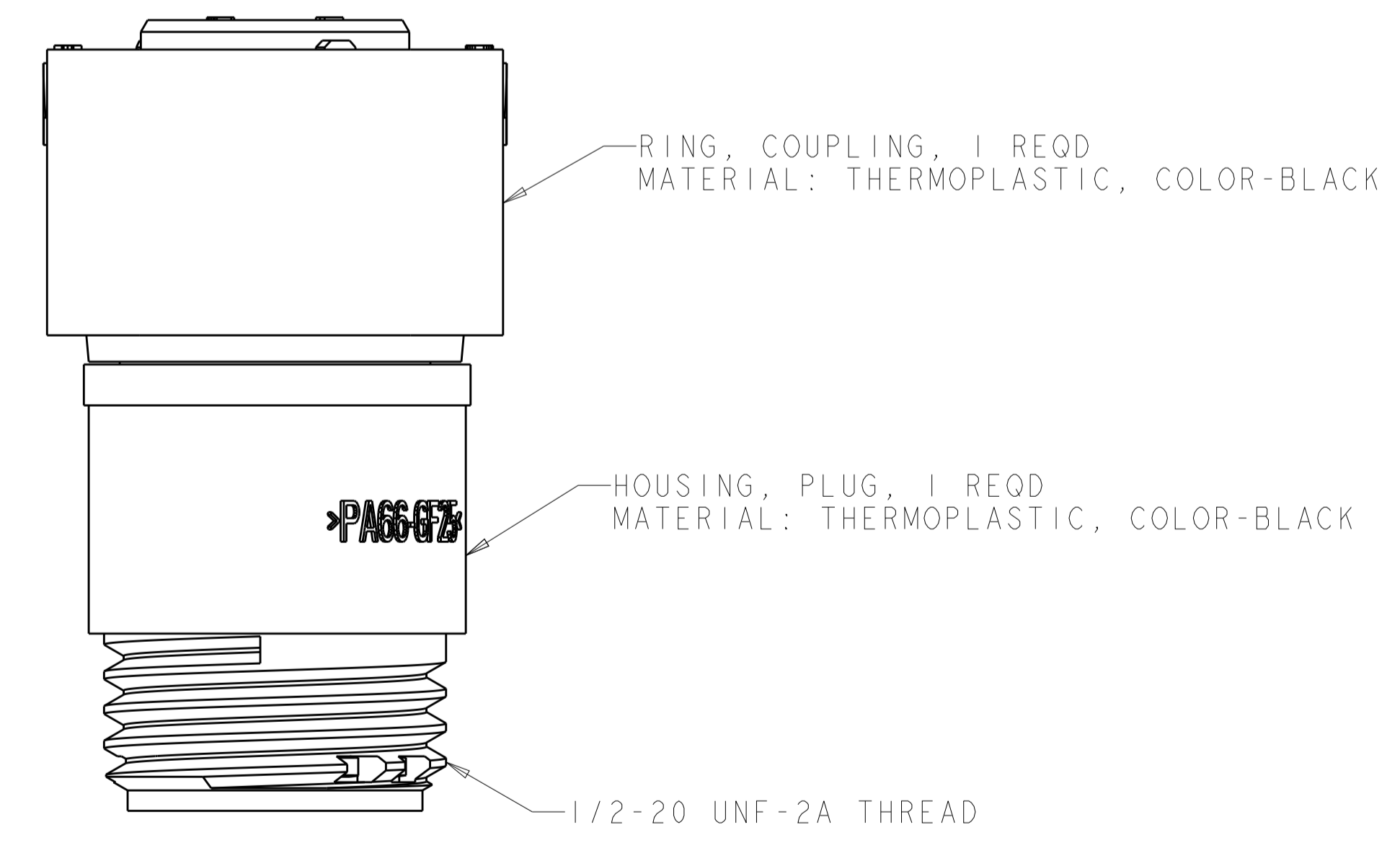
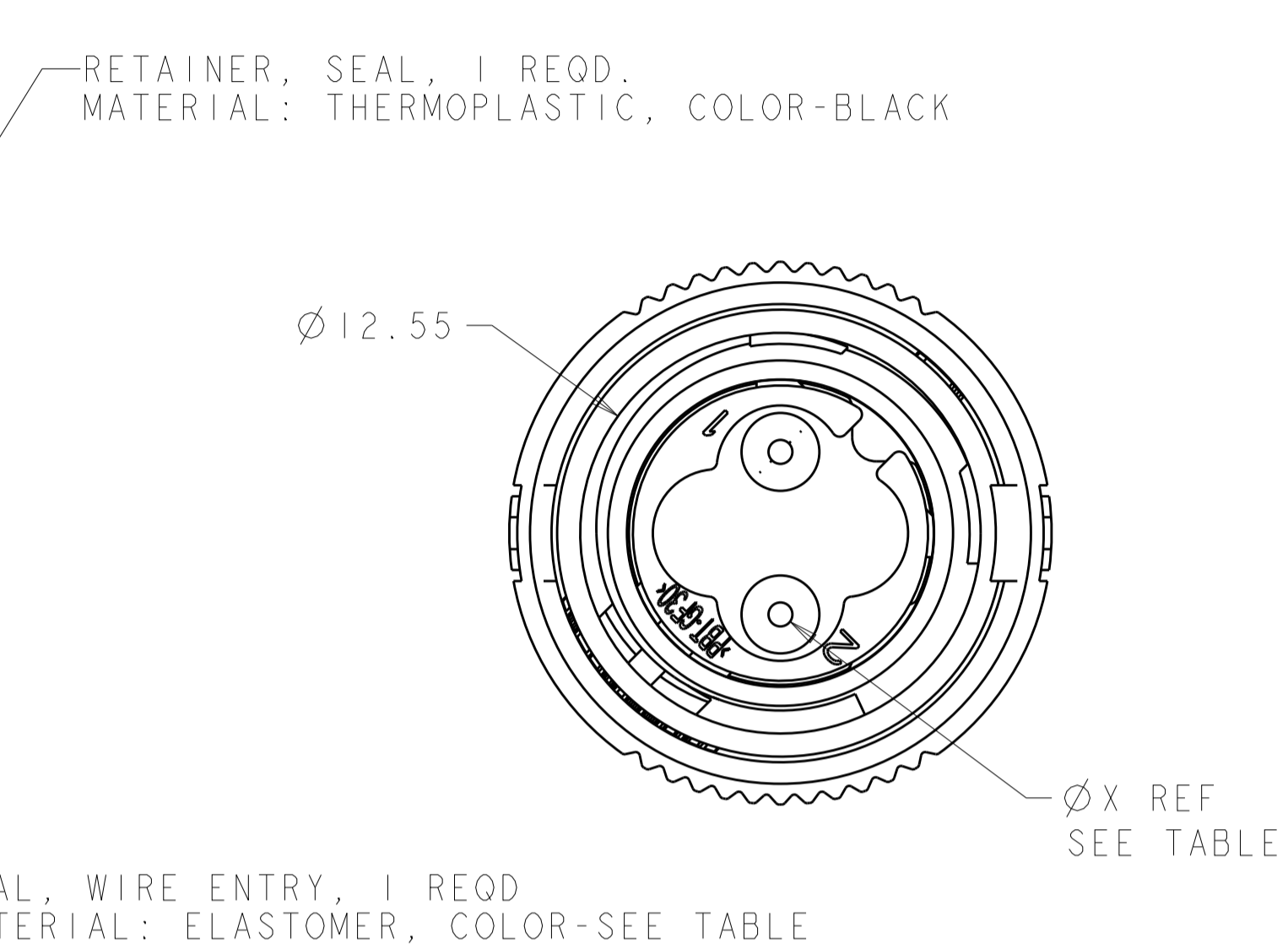
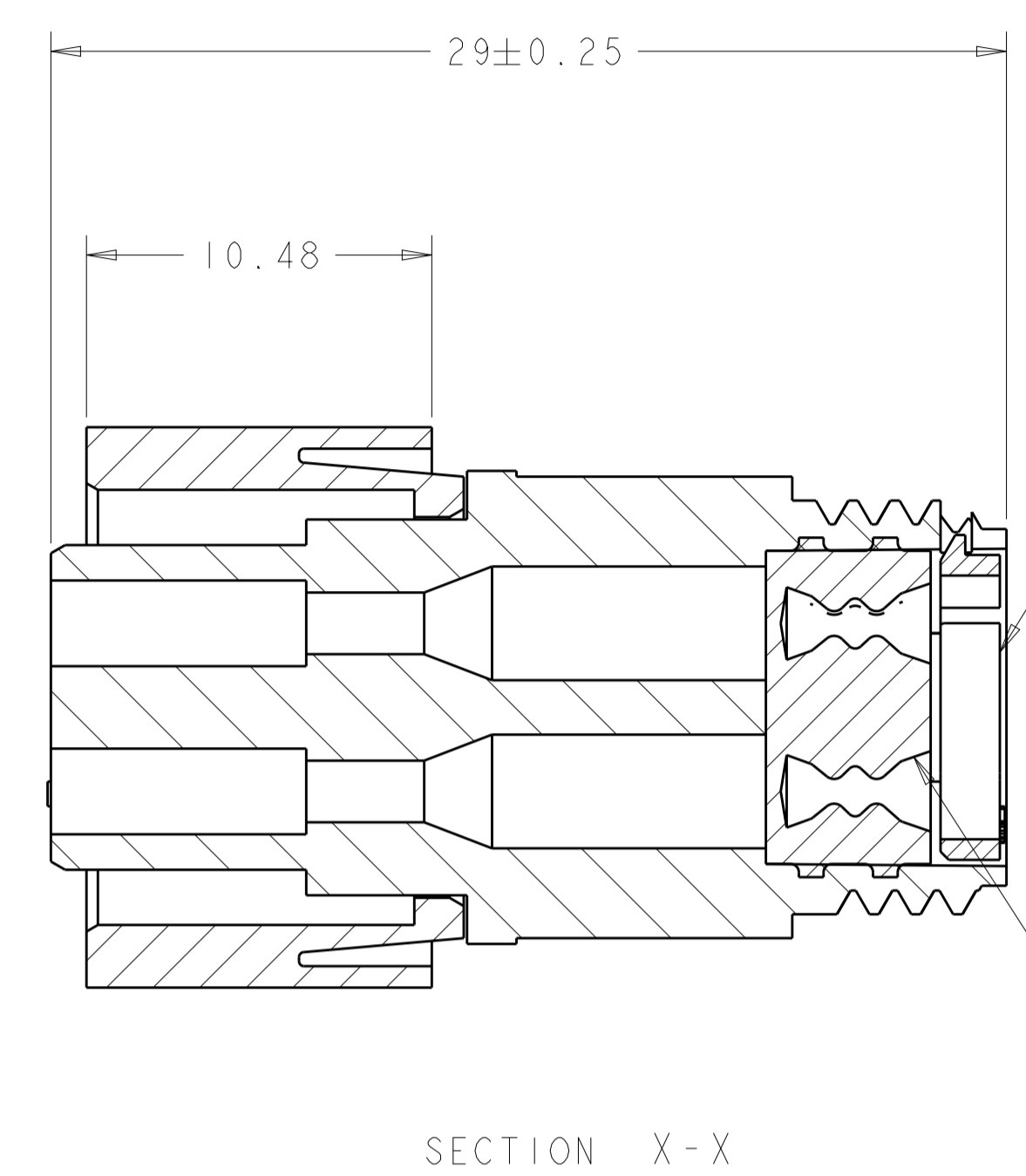
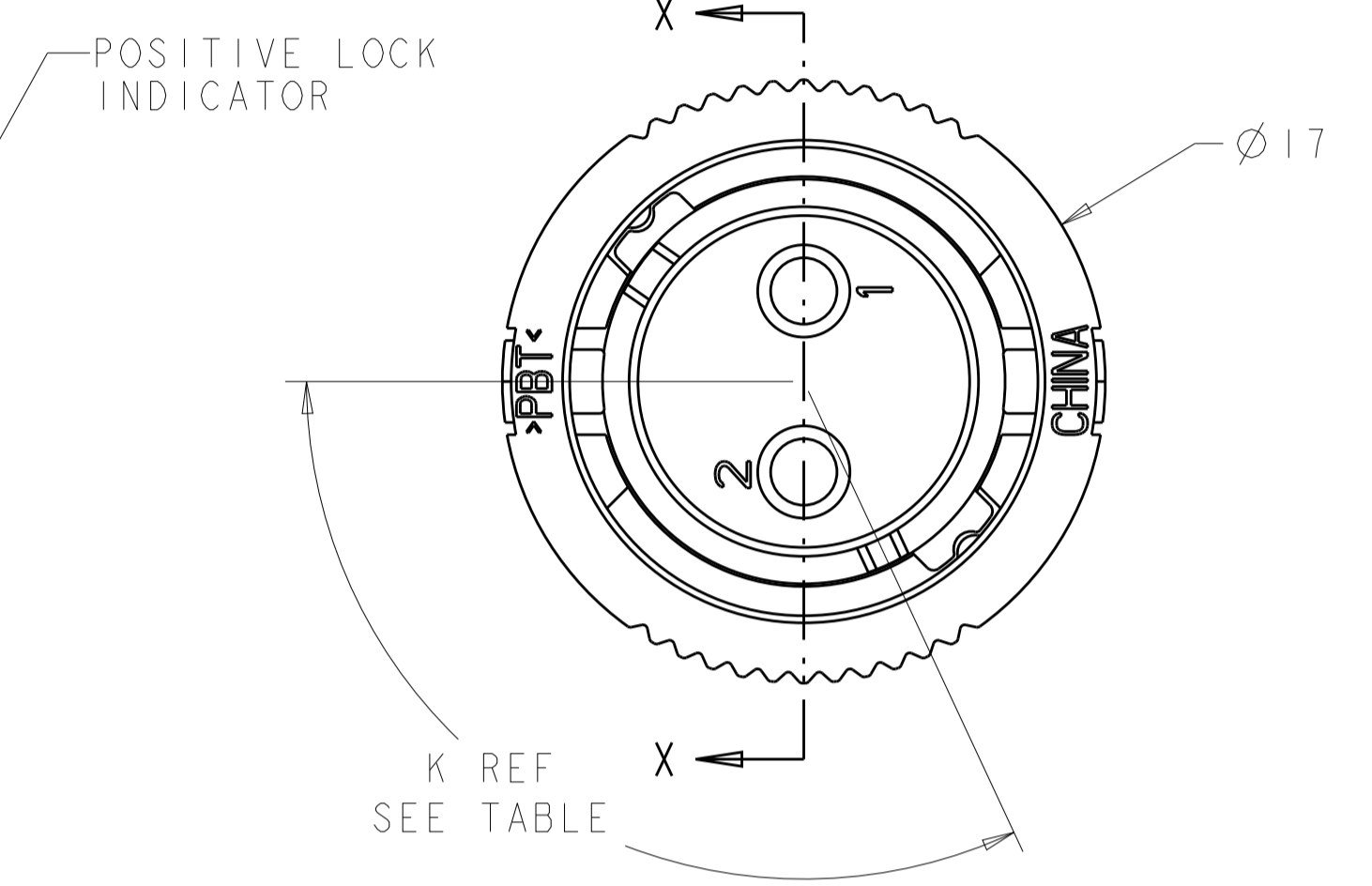
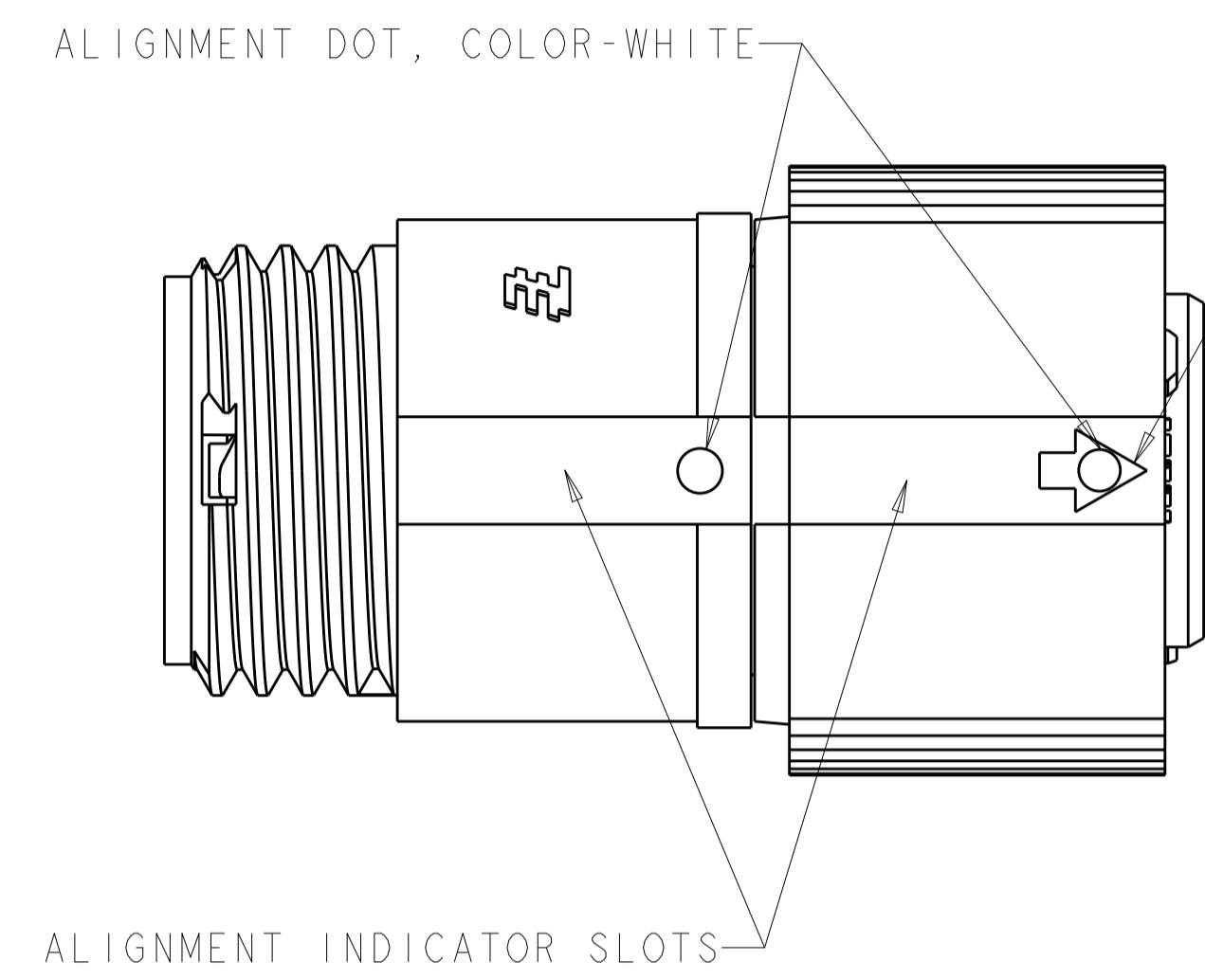


REVISIONS				
P.	LTN	DESCRIPTION	DATE	APVD
B3		REVISED PER ECO-15-010004	13JUL2015	NK MZ
C		REVISED PER ECO-16-018352	24MAR2017	RS MZ



OBSOLETE	YELLOW	Ø 0.75	130°	1445535-04
	NATURAL	Ø 1.5	115°	1445535-03
OBSOLETE	NATURAL	Ø 1.5	130°	1445535-02
	YELLOW	Ø 0.75	115°	1445535-01
	SEAL, WIRE ENTRY COLOR	Ø X REF	K REF	PART NUMBER

THIS DRAWING IS A CONTROLLED DOCUMENT.		DWN S. WIEST 07MAY2001	
DIMENSIONS: mm		CHK G. DOUITY 07MAY2001	
TOLERANCES UNLESS OTHERWISE SPECIFIED:		APVD H. WAKEEM 12JUN2003	NAME ASSEMBLY, PLUG, SIZE 8, 2 POSITION, SEALED, MINI CPC
0 PLC ± 1 PLC ±0.5 2 PLC ±0.13 3 PLC ±0.013 4 PLC ±0.001 ANGLES ±		PRODUCT SPEC	SIZE CAGE CODE DRAWING NO
MATERIAL SEE CALLOUT		APPLICATION SPEC	RESTRICTED TO
FINISH SEE CALLOUT		WEIGHT	A100779C=1445535
CUSTOMER DRAWING		SCALE 5:1	SHEET 1 OF 1 REV C

# Mouser Electronics

Authorized Distributor

Click to View Pricing, Inventory, Delivery & Lifecycle Information:

[TE Connectivity:](#)

[1445535-3](#)