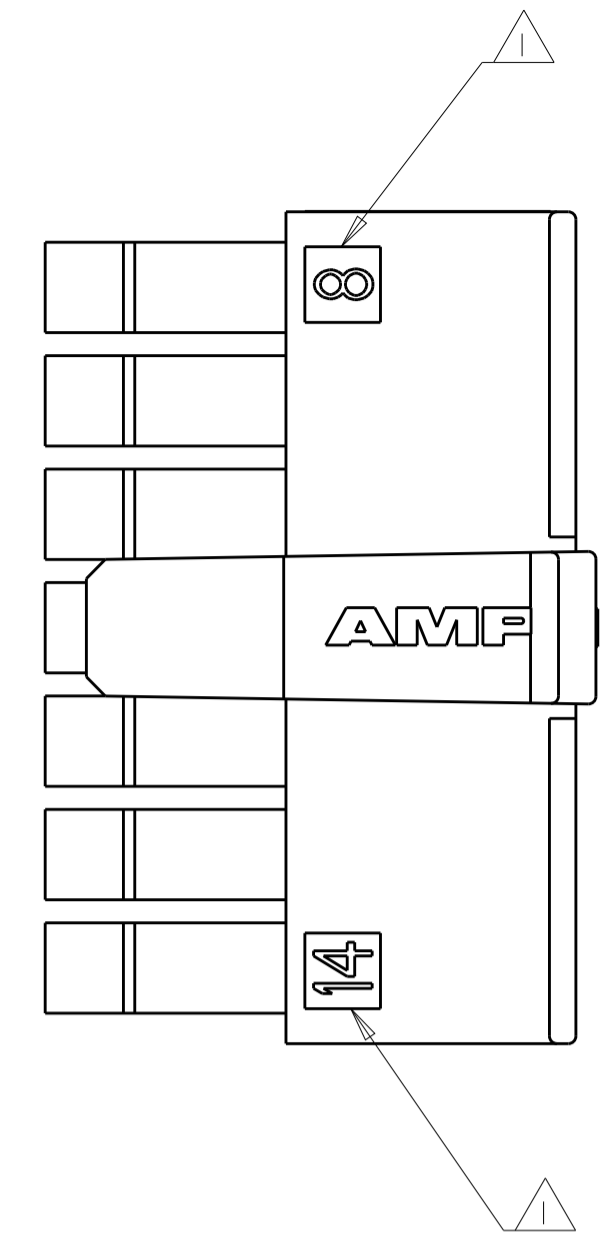
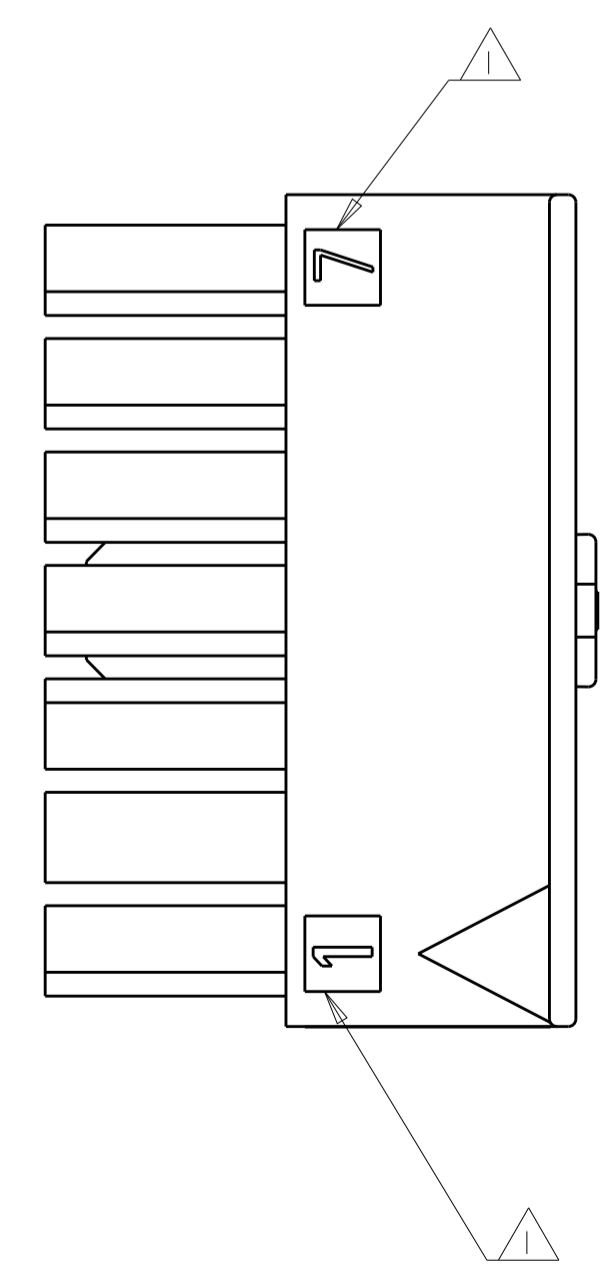
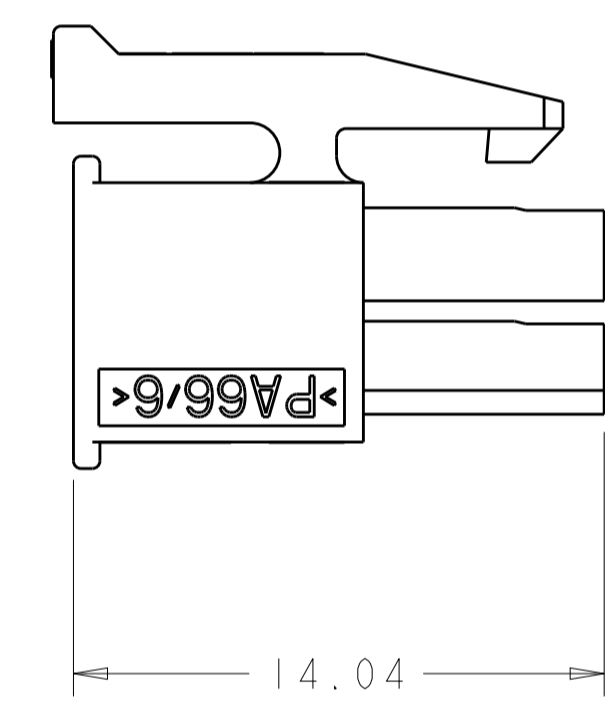
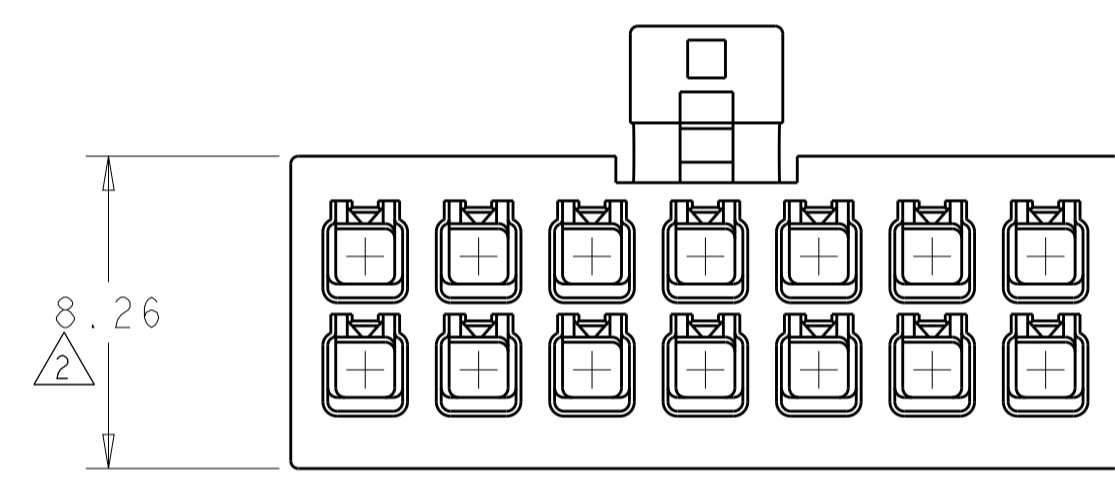
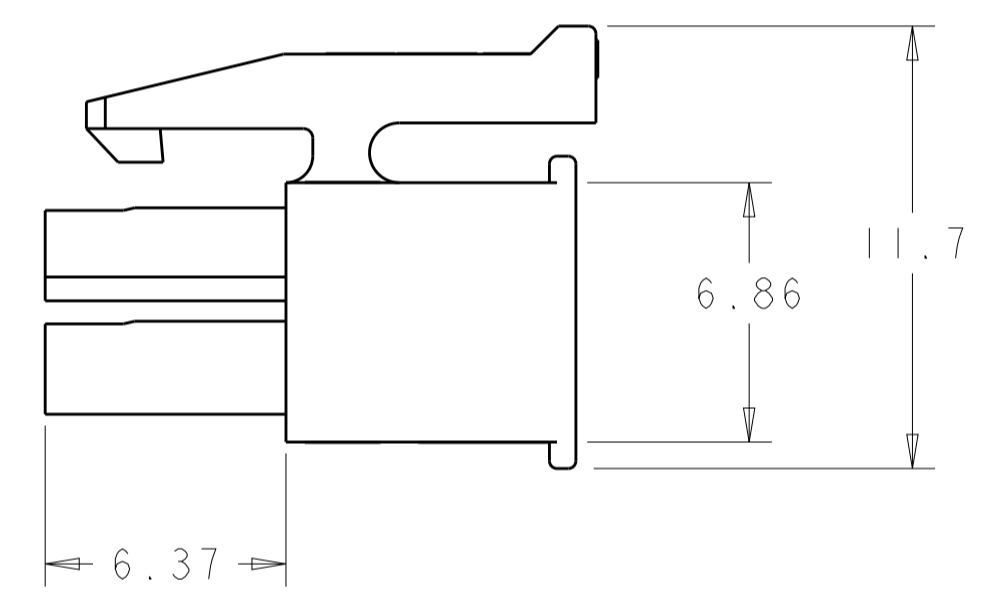
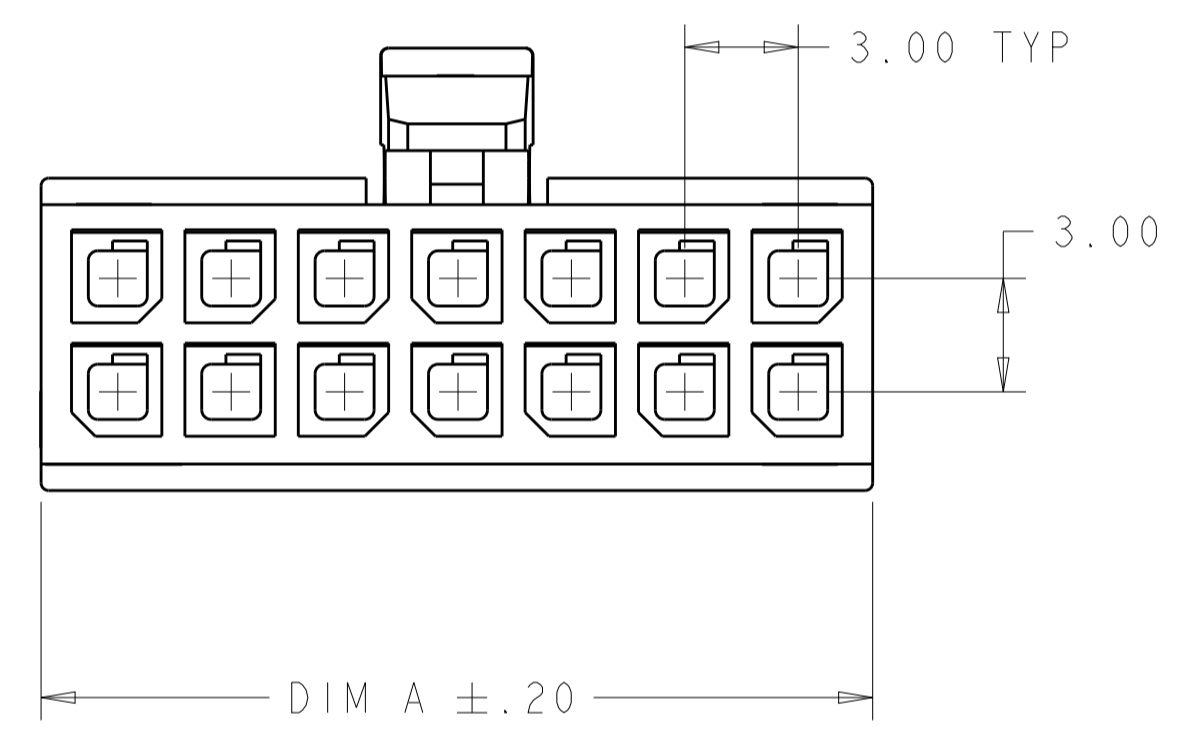


LOC		DIST		REVISIONS			
P	LTN	DESCRIPTION	DATE	DWN	APVD		
F		REVISED PER ECR-16-013818	2MAR2017	CX	DZ		
F1		REVISED PER ECO-17-007352	10MAY2017	CX	DZ		



- △ 1 CIRCUIT IDENTIFIER, LOCATED APPROXIMATELY AS SHOWN.
- △ 2 DIMENSION ONLY 7.56 ON 2 POSITION.
- △ 3 MATERIAL NYLON66/6 V0 UL94.
- △ 4 MATERIAL PA6 V0 UL94.
- △ 5 MATERIAL PA66 V0 GW UL94.
- △ 6 PRELIMINARY PART NOT RELEASED FOR PRODUCTION.



REMARK	DIM A	NO. OF POS.	PART NUMBER
△ 5 △ 6	31.00	20	5-794617-0
	37.00	24	5-794617-4
	25.00	16	4-794617-6
	22.00	14	4-794617-4
	19.00	12	4-794617-2
△ 5	16.00	10	3-794617-0
	10	6	3-794617-6
	7	4	3-794617-4
	4	2	3-794617-2
	13.00	8	3-794617-8
△ 4 △ 6	13.00	8	2-794617-8
	13.00	8	2-794617-4
△ 3	37.00	24	2-794617-4
	34.00	22	2-794617-2
	31.00	20	2-794617-0
	28.00	18	1-794617-8
	25.00	16	1-794617-6
	22.00	14	1-794617-4
	19.00	12	1-794617-2
	16.00	10	1-794617-0
	13.00	8	794617-8
	10.00	6	794617-6
7.00	4	794617-4	
△ 3 △ 2	4.00	2	794617-2

THIS DRAWING IS A CONTROLLED DOCUMENT. DWN: K. WHITAKER 14OCT1999  
 CHK: K. COBLE 14OCT1999  
 APVD: K. COBLE 14OCT1999

**STE** TE Connectivity

RECEPTACLE HOUSING, 2 TO 24 POSITION, DUAL ROW, MICRO MATE-N-LOK™

ITEM: 0 PLC ±.010  
 1 PLC ±.010  
 2 PLC ±.026  
 3 PLC ±.010  
 4 PLC ±.010  
 ANGLES ±.030

MATERIAL: △ 3 △ 4 △ 5  
 FINISH: -

Customer Drawing

SCALE: 5:1 SHEET 1 OF 1 REV F1

# Mouser Electronics

Authorized Distributor

Click to View Pricing, Inventory, Delivery & Lifecycle Information:

[TE Connectivity:](#)

[794617-6](#)