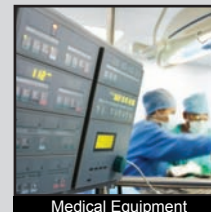
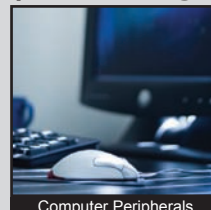
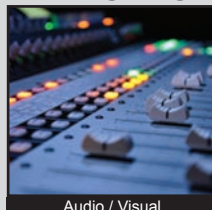


TL6210 SERIES TACT SWITCH

ANTI-VANDAL SWITCHES
 DETECTOR SWITCHES
 DIP SWITCHES
 KEYLOCK SWITCHES
 NAVIGATION SWITCHES
 PUSHBUTTON SWITCHES
 ROCKER SWITCHES
 ROTARY SWITCHES
 SLIDE SWITCHES
 SNAP ACTION SWITCHES
TACTILE SWITCHES
 TOGGLE SWITCHES
 CAP OPTIONS



APPLICATIONS / MARKETS



RoHS

SPECIFICATIONS

Electrical Rating: 50mA @ 12VDC
Electrical Life: 100,000 Cycles
Mechanical Life: 100,000 Cycles
Contact Resistance: 500mΩ
Insulation Resistance: 100 MΩ Min. @ 100VDC
Dielectric Strength: 250VAC for 1 min.
Operating Temperature: -20°C to 70°C
Storage Temperature: -20°C to 70°C
Operating Force: 200 +/- 80 gf
Travel: 0.45mm +/- 0.15mm
Contact Arrangement: SPST
Moisture Protection: IP67

FEATURES & BENEFITS

- Surface mount termination
- IP67 rated
- Multiple LED color options
- Small package size

PART NUMBER CONFIGURATOR

Series	Model	Actuator "L" Dimensions	Operating Force	LED Color	Contact Material
TL	6210	A	F200 - 200 grams	N - None B - Blue R - Red G - Green Y - Yellow W - White X - Red-Green Z - Green-Yellow	Q - Silver

Specifications subject to change without notice



E-SWITCH®

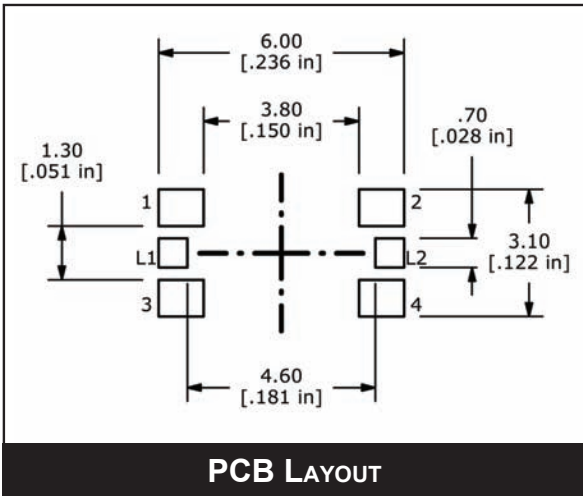
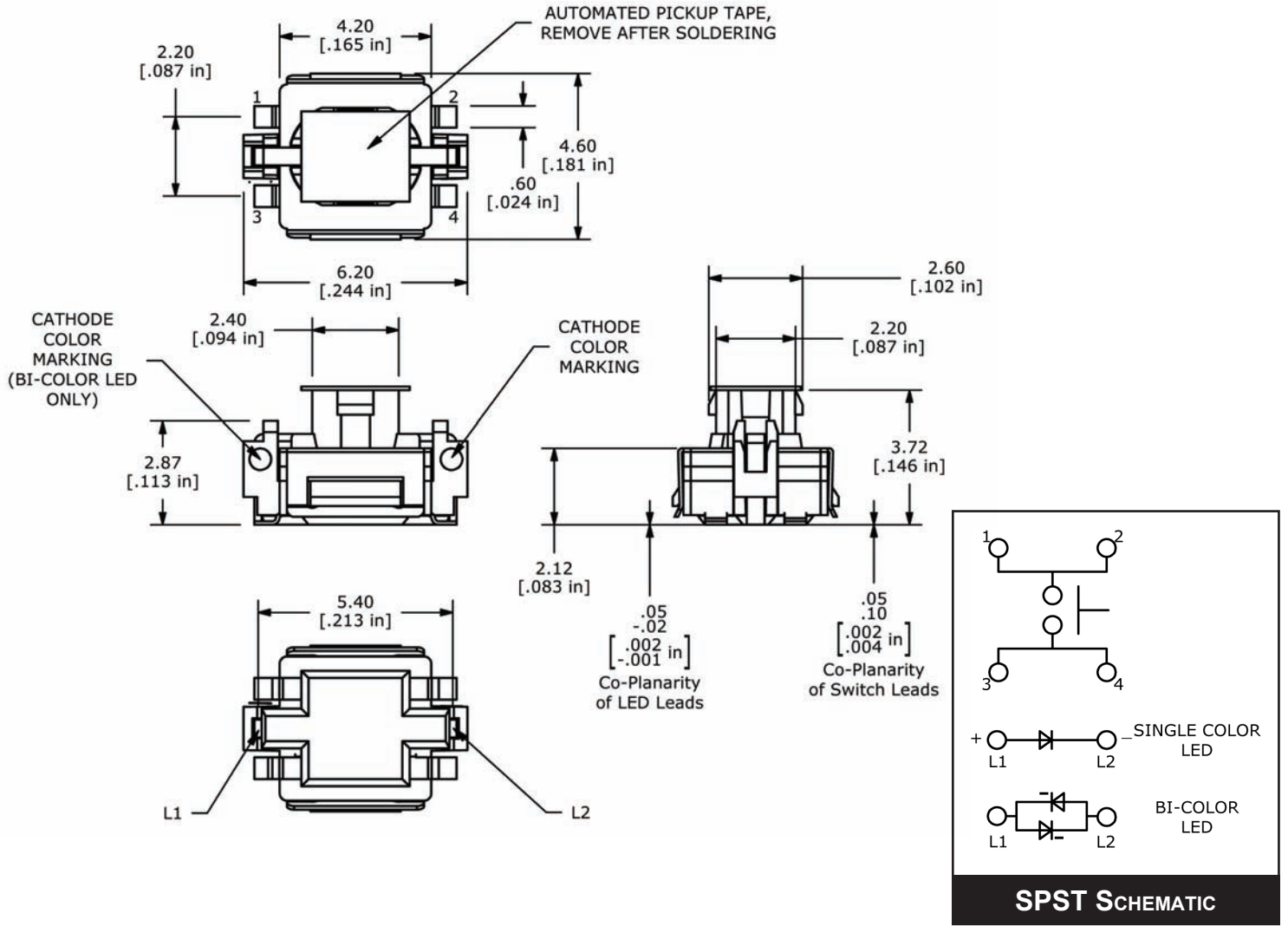
www.e-switch.com

800.867.2717

2

TL6210 SERIES TACT SWITCH

BODY DIMENSIONS



LED Specifications			
LED Color	Forward Current (mA)	Forward Voltage (V @ 20mA)	Luminous Intensity (mcd)
Red	20	1.6 min-1.95 typ	200 typ
Green	20	1.6 min-2.1 typ	50 typ
Yellow	20	1.6 min-2.0 typ	180 typ
Blue	20	2.8 min-3.3 typ	80 typ
White	20	2.8 min-3.3 typ	450 typ
Red-Green BI-Color	20	Red-1.65 min-1.95 typ Green-1.7 min-2.1 typ	Red-200 typ Green-50 typ
Green-Yellow (BI-Color)	20	Green-1.7 min-2.1 typ Yellow-1.6 min-2.0 typ	Green-60 typ Yellow-180 typ



ANTI-VANDAL SWITCHES
 DETECTOR SWITCHES
 DIP SWITCHES
 KEYLOCK SWITCHES
 NAVIGATION SWITCHES
 PUSHBUTTON SWITCHES
 ROCKER SWITCHES
 ROTARY SWITCHES
 SLIDE SWITCHES
 SNAP ACTION SWITCHES
 TACTILE SWITCHES
 TOGGLE SWITCHES
 CAP OPTIONS

Mouser Electronics

Authorized Distributor

Click to View Pricing, Inventory, Delivery & Lifecycle Information:

E-Switch:

[TL6210AF200BQ](#) [TL6210AF200RQ](#) [TL6210AF200WQ](#) [TL6210AF200ZQ](#) [TL6210AF200YQ](#) [TL6210AF200GQ](#)
[TL6210AF200XQ](#) [TL6210AF200NQ](#)