

TABLE OF CONTENTS	
SHEET NO.	SHEET DESCRIPTION
1	NOTES AND BOM
2	CONFIGURATIONS
3	SEAL PLUG DETAIL

BILL OF MATERIALS (BOM)			
DESCRIPTION	PART NUMBER	COLOR	STATUS
MX150, NATURAL	34345-0001	NATURAL	SALEABLE
MX150, BLACK	34345-0002	BLACK	SALEABLE

NOTES: VALID UNLESS OTHERWISE SPECIFIED

1. GENERAL:

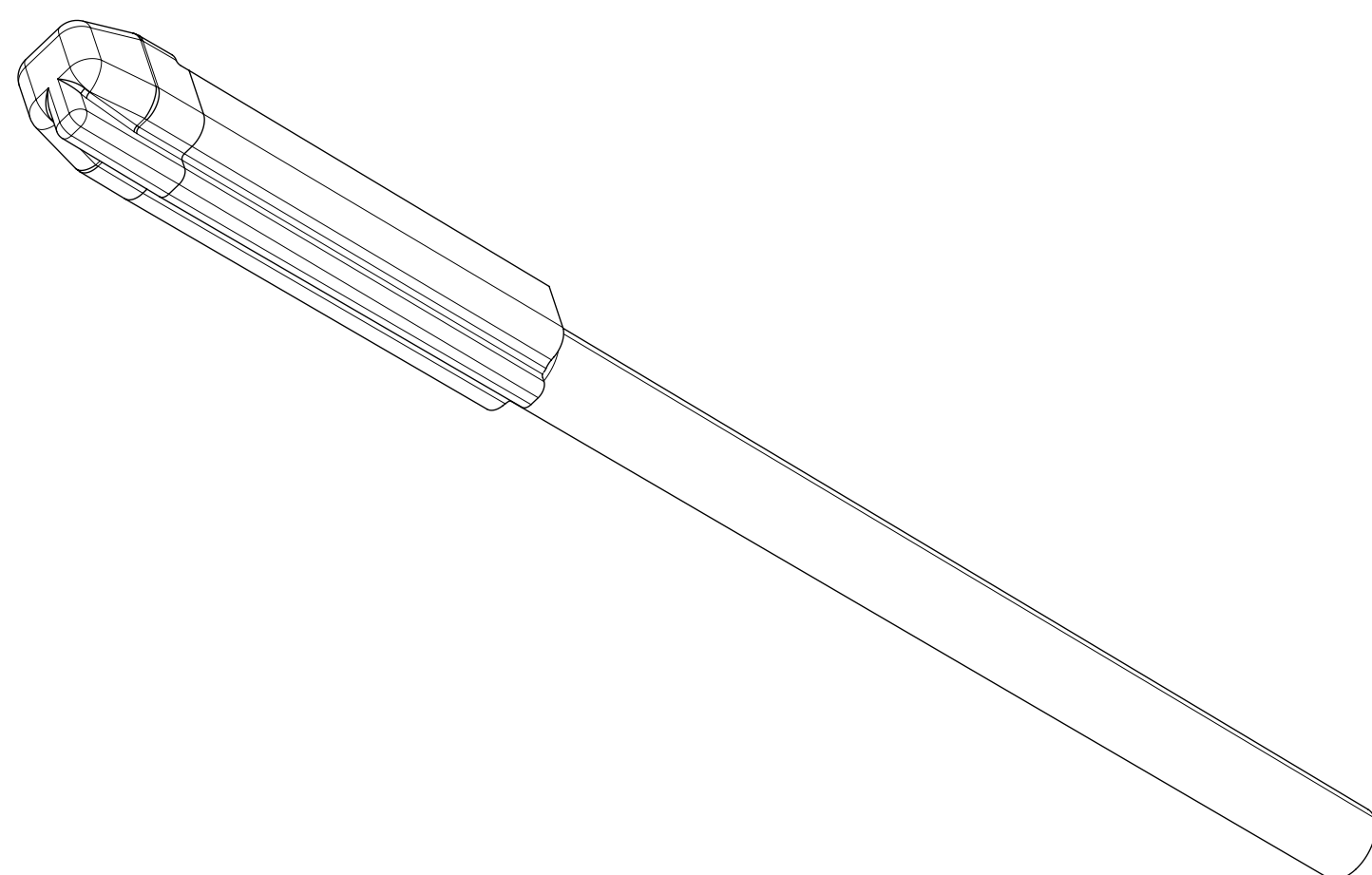
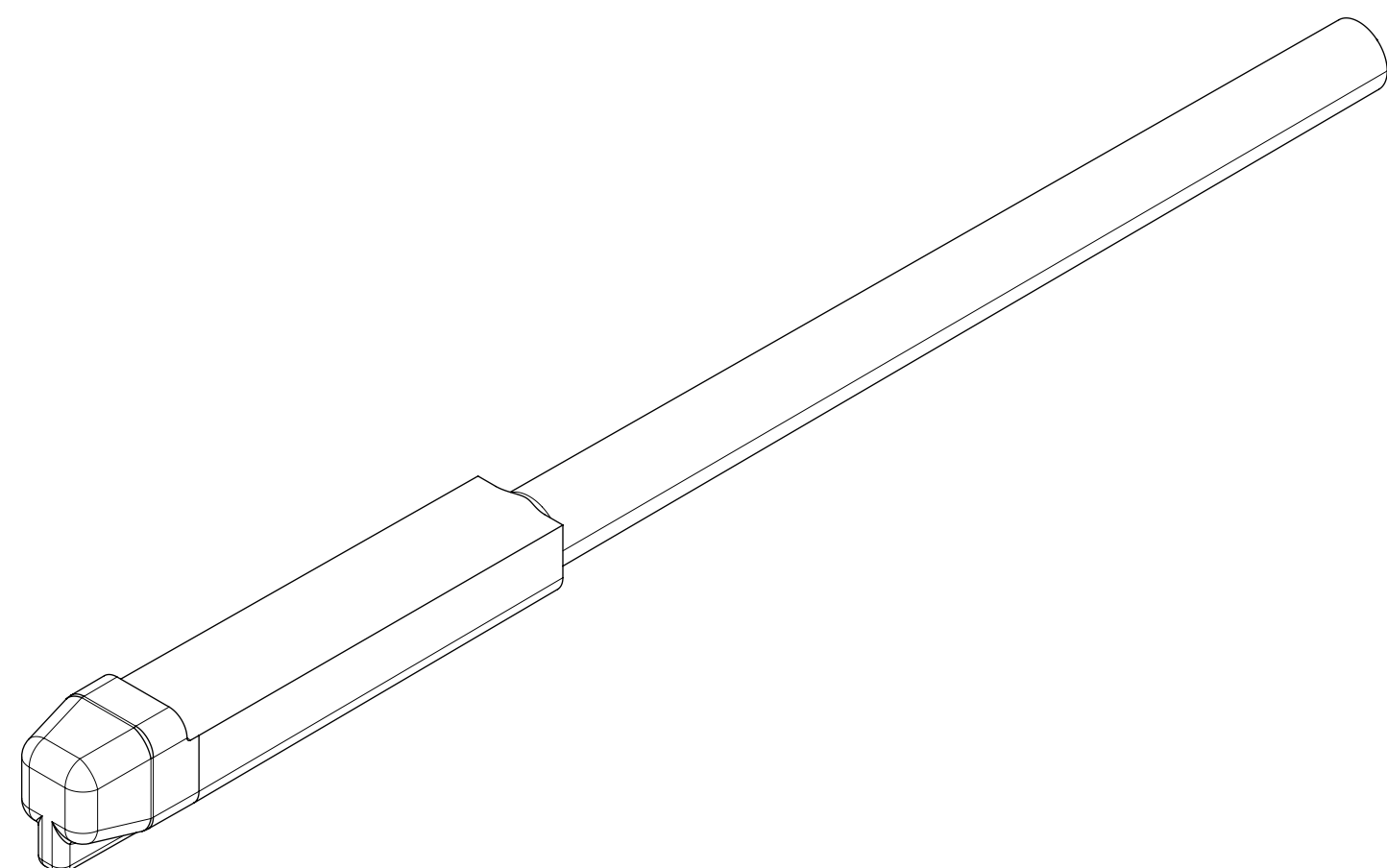
- a. APPLICATION SPECIFICATION SEE: AS-33472-100
 - COMPONENTS ARE OPTIONAL AND MUST BE PURCHASED SEPERATELY
 - FOR ASSEMBLY INSTRUCTIONS SEE THE APPLICATION SPECIFICATION
 - SEAL PLUGS ARE NOT TO BE USED TO REPLACE SHORTING BAR TERMINALS.
- b. PRODUCT SPECIFICATION SEE: N/A
- c. PACKAGING SPECIFICATION PER MOLEX DRAWING: PK-31300-438
- d. PARTS MUST BE IN COMPLIANCE TO MOLEX CHEMICAL SUBSTANCES FOR PRODUCTS AND PACKAGING SPECIFICATION: QEHS-699000-300
- e. DATA MUST BE SUBMITTED UNDER THE MOLEX PART NUMBER TO IMDS (COMPANY ID#13255)

2. DESIGN - MATERIALS:

- a. MATERIAL: PBT

3. DESIGN - GEOMETRY:

- a. ALL GRAPHIC DATA IS BASIC (NO TOLERANCE) AND MUST BE TAKEN FROM THE DATA FILE AT ITS LATEST REVISION.
- b. GEOMETRIC DIMENSIONS AND TOLERANCES PER ASME Y14.5M - 2009
- c. THE BASIC DIMENSIONS OF THE COMPONENT ARE DEFINED BY THE 3-D CAD DATA. THE CAD MATHEMATICAL DATA IS THE MASTER FOR ALL FEATURES AND IS TO BE USED TO ESTABLISH DIMENSIONAL INFORMATION NOT SHOWN ON THIS DRAWING.
- d. GENERAL TOLERANCES: SEE TITLE BLOCK
- e. EDGES AND UNDIMENSIONED DETAILS PER ISO13715
- f. CORNERS SHOWN AS SHARP TO BE R 0.2 MAX.
- g. LETTERING SHALL BE 0.15 MAX RAISED.



C6	NX RE-MASTERING
REV	DESCRIPTION

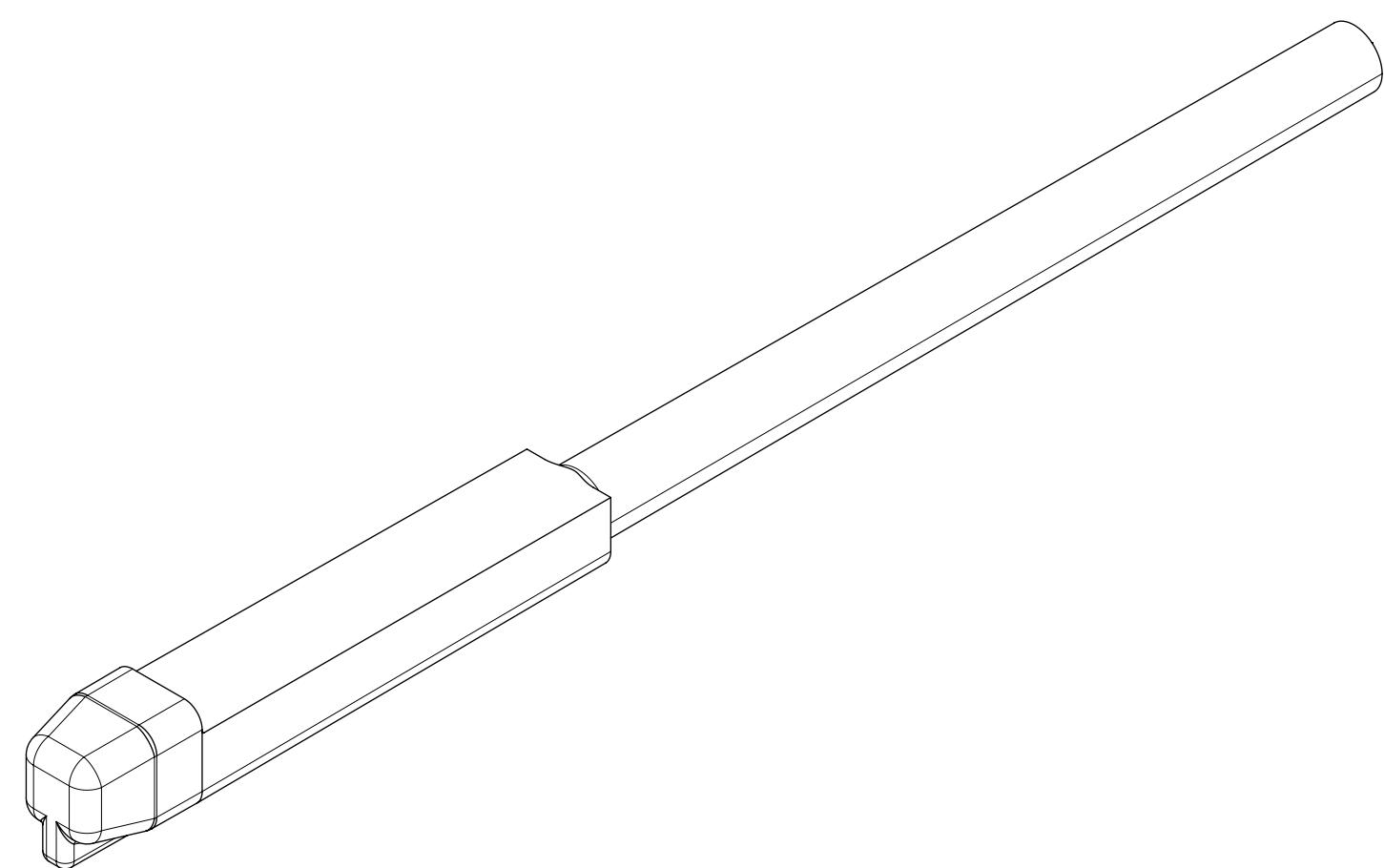
THIS DRAWING CONTAINS INFORMATION THAT IS PROPRIETARY TO MOLEX ELECTRONIC TECHNOLOGIES, LLC AND SHOULD NOT BE USED WITHOUT WRITTEN PERMISSION

EC NO: 605297 DRWN: CROWDEN CHKD: MVANSLAMBROU REV APPR: MVANSLAMBROU	2018/10/02	2018/10/02	2018/10/02	GENERAL TOLERANCES (UNLESS SPECIFIED)	DIMENSION UNITS	SCALE			
				ANGULAR TOL ± 3.0 °	MM ONLY	7:1			
				4 PLACES ±	DRWN BY	DATE		MX150 CAVITY PLUG SEALED	
				3 PLACES ±	MVANSLAM	10/27/05			
				2 PLACES ± 0.1	CHKD BY	DATE			
				1 PLACE ± 0.3	ABUTCHER	10/27/05			
			0 PLACES ±	APPR BY	DATE				
			DRAFT WHERE APPLICABLE MUST REMAIN WITHIN DIMENSIONS	SMARCEAU	10/27/05				
				DRAWING SIZE	THIRD ANGLE PROJECTION	SERIES	MATERIAL NUMBER	CUSTOMER	
				D		34345	SEE BOM	GENERAL MARKET	
						DOCUMENT NUMBER	DOC TYPE	DOC PART	SHEET NUMBER
						SD-34345-001	PSD	000	1 OF 3

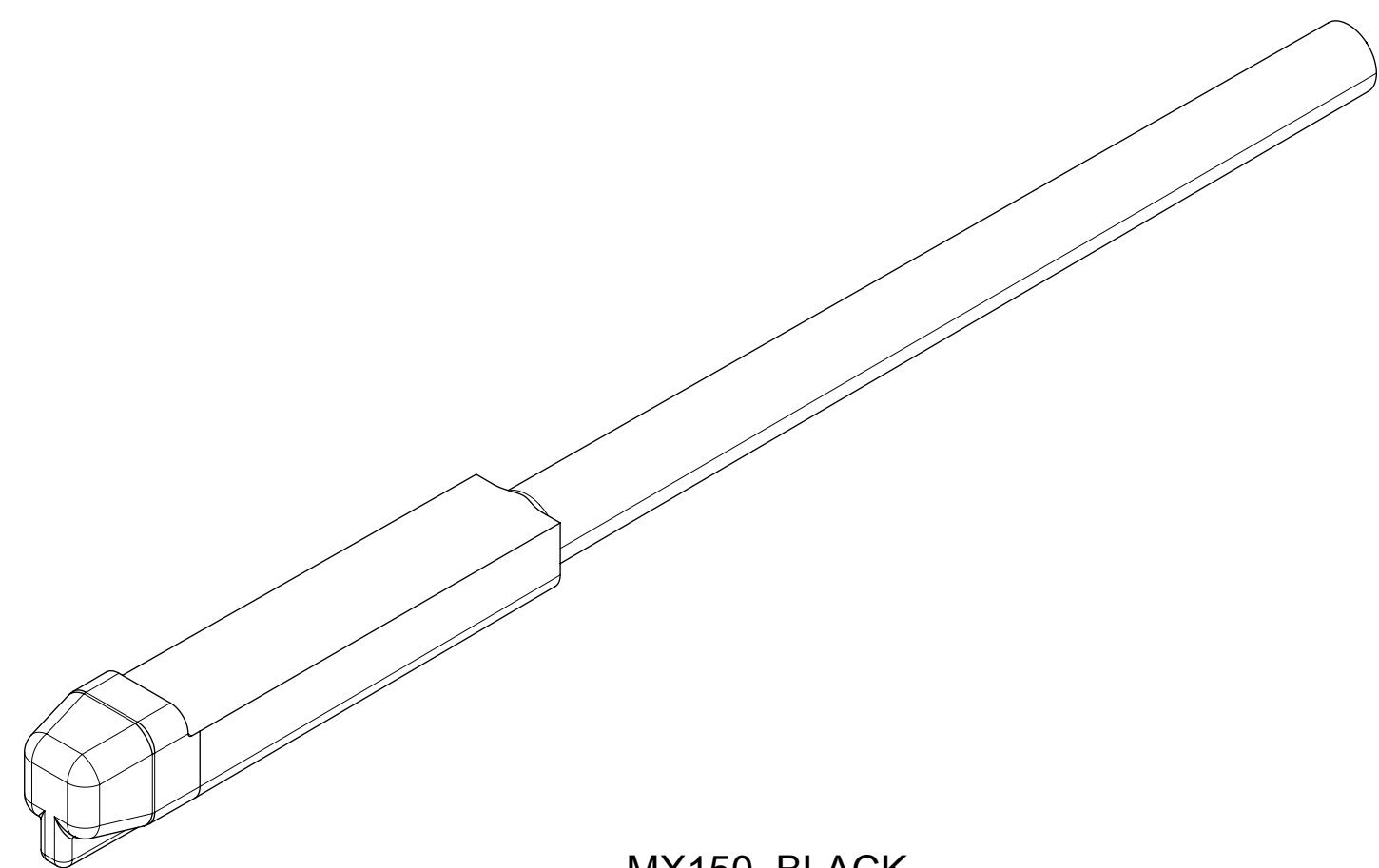
RELEASE STATUS	RELEASE DATE
----------------	--------------

SHEET DESCRIPTION

CONFIGURATIONS



MX150, NATURAL



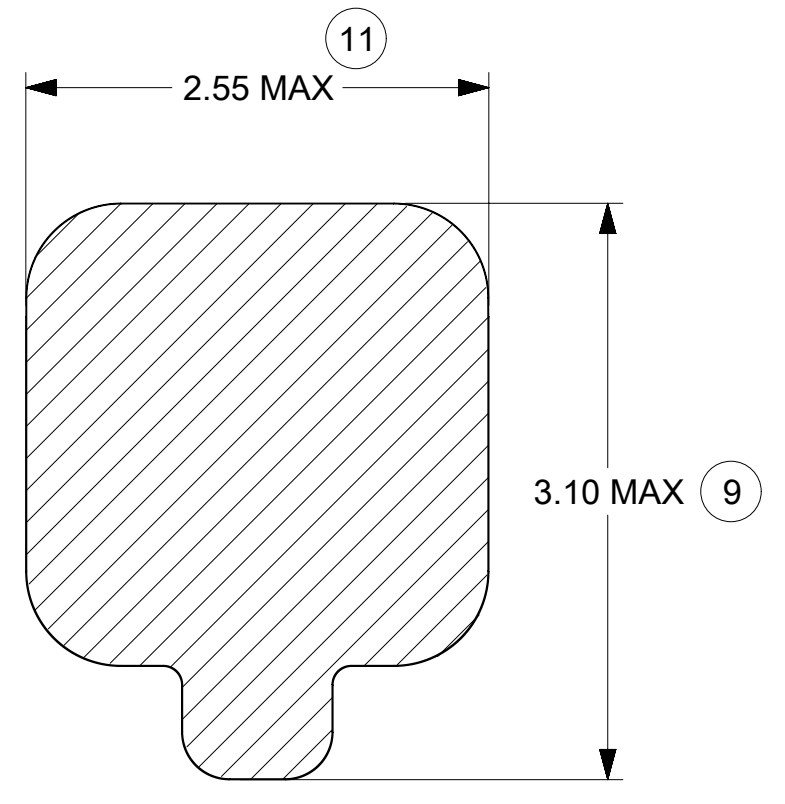
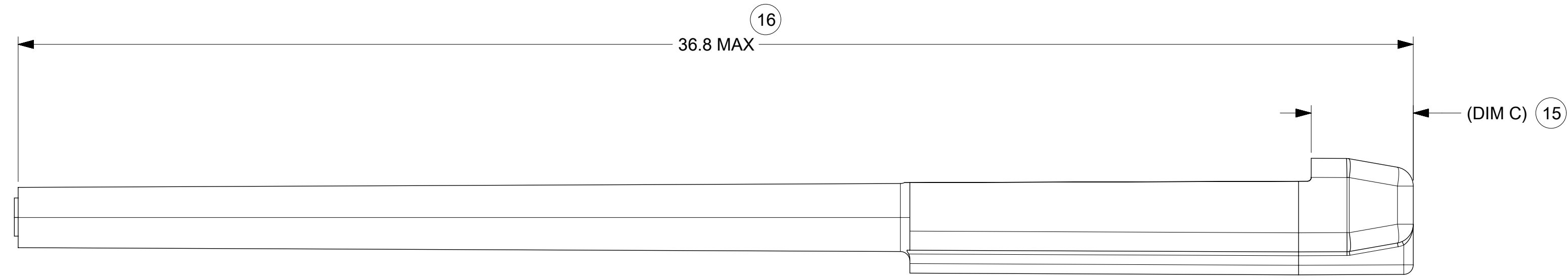
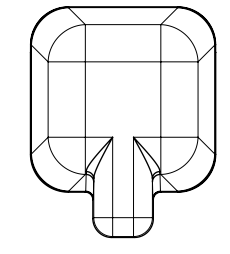
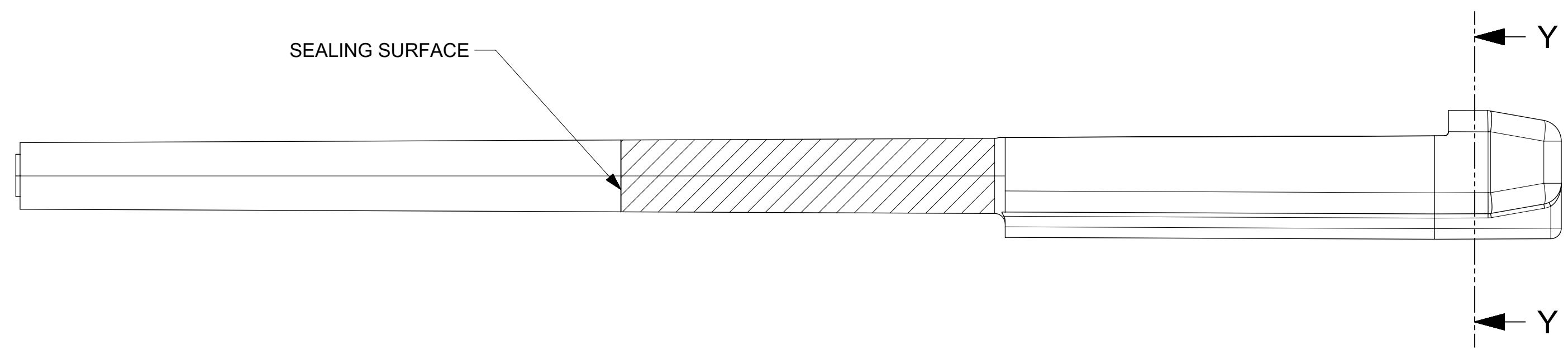
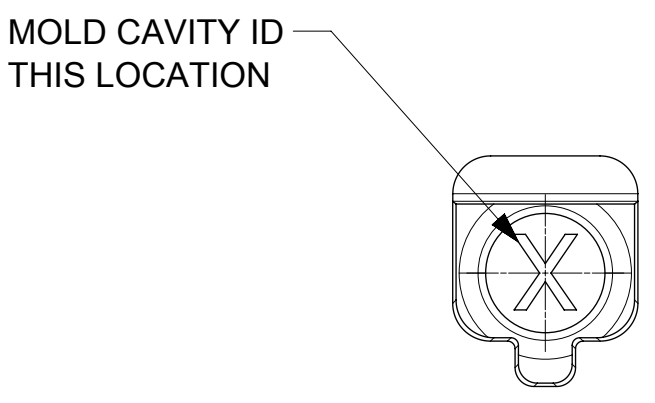
MX150, BLACK

THIS DRAWING CONTAINS INFORMATION THAT IS PROPRIETARY TO MOLEX ELECTRONIC TECHNOLOGIES, LLC AND SHOULD NOT BE USED WITHOUT WRITTEN PERMISSION

EC NO: 605297 DRWN: CROWDEN CHKD: MVANSLAMBROU REV APPR: MVANSLAMBROU	2018/10/02	GENERAL TOLERANCES (UNLESS SPECIFIED)	DIMENSION UNITS	SCALE				
	2018/10/02	ANGULAR TOL ± 3.0 °	MM ONLY	7:1				
	4 PLACES ±	DRWN BY	DATE	MX150 CAVITY PLUG SEALED				
	3 PLACES ±	MVANSLAM	10/27/05					
	2 PLACES ± 0.1	CHKD BY	DATE					
	1 PLACE ± 0.3	ABUTCHER	10/27/05	PRODUCT CUSTOMER DRAWING				
	0 PLACES ±	SMARCEAU	10/27/05					
	DRAFT WHERE APPLICABLE MUST REMAIN WITHIN DIMENSIONS	DRAWING SIZE	THIRD ANGLE PROJECTION	SERIES	MATERIAL NUMBER	CUSTOMER		
	D	D		34345	SEE BOM	GENERAL MARKET		
	C7	DOCUMENT NUMBER	DOC TYPE	DOC PART	SHEET NUMBER	2 OF 3		
	SD-34345-001	PSD	000					

RELEASE STATUS	RELEASE DATE
----------------	--------------

CHARTED DIMENSIONS	
DESCRIPTION	DIMENSIONS
	C
MX150, NATURAL	3.00
MX150, BLACK	2.67



SECTION Y-Y
SCALE 25:1

THIS DRAWING CONTAINS INFORMATION THAT IS PROPRIETARY TO MOLEX ELECTRONIC TECHNOLOGIES, LLC AND SHOULD NOT BE USED WITHOUT WRITTEN PERMISSION

EC NO: 605297 DRWN: CROWDEN CHKD: MVANSLAMBROU REV APPR: MVANSLAMBROU	2018/10/02	2018/10/02	2018/10/02	GENERAL TOLERANCES (UNLESS SPECIFIED) DIMENSION UNITS: MM ONLY SCALE: 10:1 DRWN BY: MVANSLAM DATE: 10/27/05 CHKD BY: ABUTCHER DATE: 10/27/05 APPR BY: SMARCEAU DATE: 10/27/05 DRAFT WHERE APPLICABLE MUST REMAIN WITHIN DIMENSIONS	DIMENSION UNITS: MM ONLY SCALE: 10:1 DRWN BY: MVANSLAM DATE: 10/27/05 CHKD BY: ABUTCHER DATE: 10/27/05 APPR BY: SMARCEAU DATE: 10/27/05 DRAFT WHERE APPLICABLE MUST REMAIN WITHIN DIMENSIONS	DIMENSION UNITS: MM ONLY SCALE: 10:1 DRWN BY: MVANSLAM DATE: 10/27/05 CHKD BY: ABUTCHER DATE: 10/27/05 APPR BY: SMARCEAU DATE: 10/27/05 DRAFT WHERE APPLICABLE MUST REMAIN WITHIN DIMENSIONS			MX150 CAVITY PLUG SEALED	PRODUCT CUSTOMER DRAWING	SERIES: 34345 MATERIAL NUMBER: SEE BOM CUSTOMER: GENERAL MARKET		
	4 PLACES ±	3 PLACES ±	2 PLACES ± 0.1									1 PLACE ± 0.3	0 PLACES ±
	ANGULAR TOL ± 3.0 °												
C7													
RELEASE STATUS	RELEASE DATE												