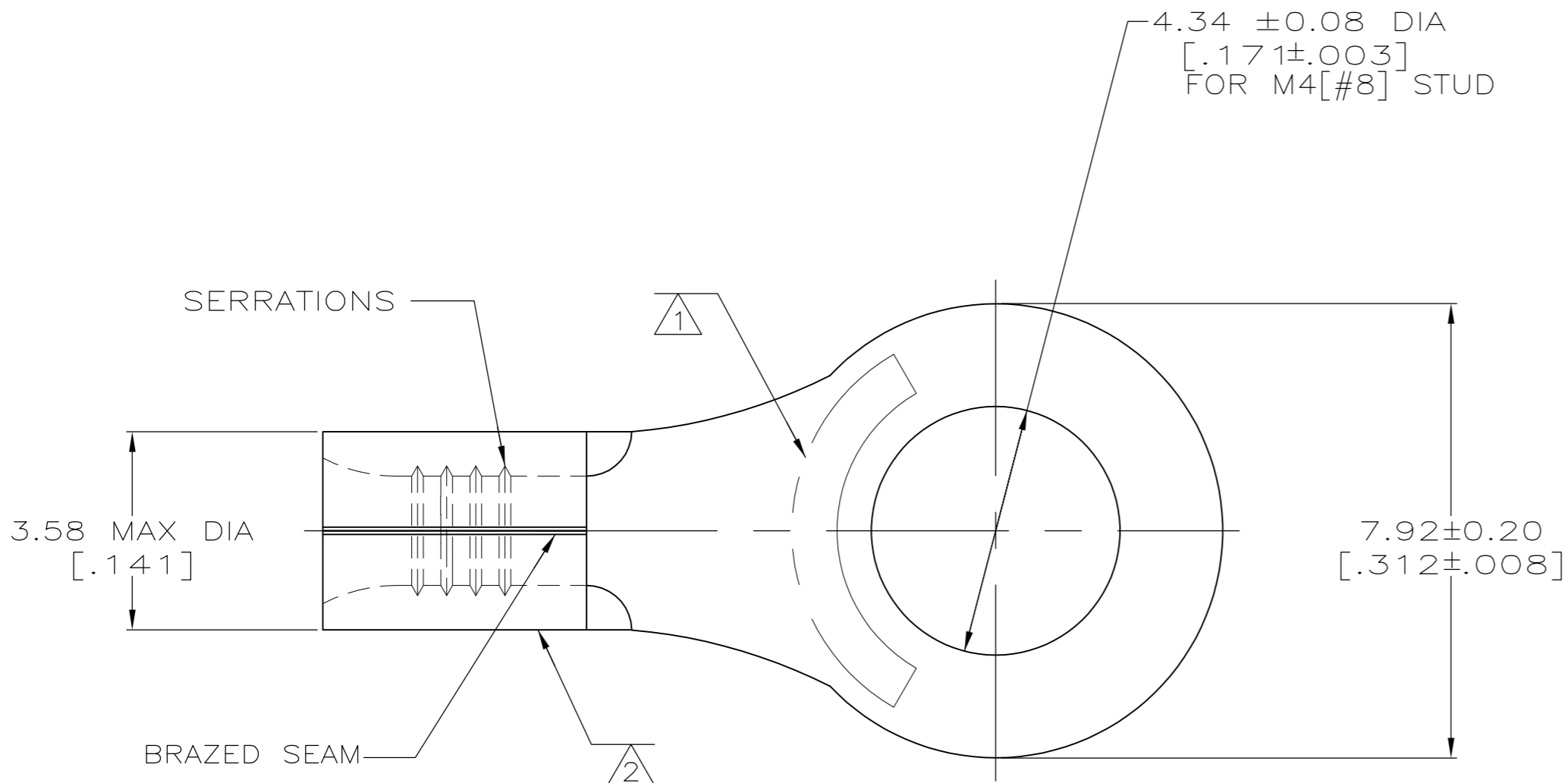


THIS DRAWING IS UNPUBLISHED. RELEASED FOR PUBLICATION
 © COPYRIGHT - By - ALL RIGHTS RESERVED.

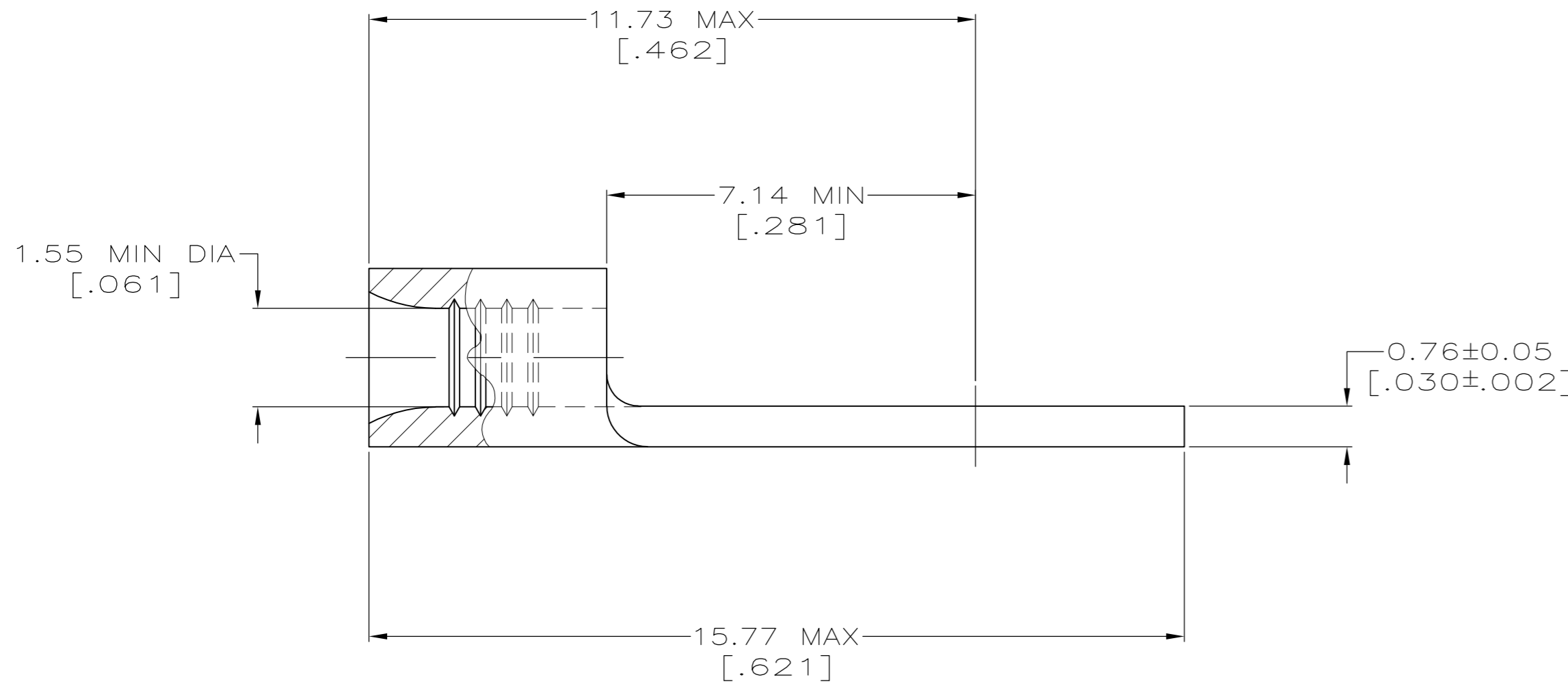
LOC	DIST	REVISIONS			
P	LTR	DESCRIPTION	DATE	DWN	APVD
G	14	J2	REVISED PER ECO-12-003796	28FEB12	KH DR

AMP
WIRE RANGE

22-16 AWG
SOLID OR STRANDED



- 1 STAMP AMP 22-18 APPROX AS SHOWN
22-16 TERMINALS ARE STAMPED 22-18 IN ACCORDANCE WITH MILITARY SPECIFICATION SAE AS7928; COMMERCIAL WIRE RANGE IS 22-16
- 2 WIRE BARREL COLOR CODED ORANGE TO DENOTE NICKEL MATERIAL
- 3 NICKEL PER ASTM B-162, ANNEALED
- 4 NICKEL-CHROMIUM ALLOY THERMOCOUPLE MATERIAL "TYPE K" POSITIVE LEAD PER ASTM E230, ANNEALED.
- 5 NICKEL-MAGNANESE-ALUMINUM ALLOY THERMOCOUPLE MATERIAL "TYPE K" NEGATIVE LEAD PER ASTM E230, ANNEALED.
- 6 GOLD PLATE 0.00127[.000050] MIN EXT. THK ASTM B488, TYPE1, CODE C OVER NICKEL FLASH PER SAE AMS QQ-N-290 WOODS NICKEL FLASH PER ASTM B558.
- 7 NOTE DELETED



MAX OPERATING TEMPERATURE	QTY	PACKAGE TYPE	MATERIAL	FINISH	PART NO.
649°C [1200°F]	1000	LOOSE PIECE	5	NONE	2-321895-4
649°C [1200°F]	1000	LOOSE PIECE	4	NONE	2-321895-2
649°C [1200°F]	1000	LOOSE PIECE	3	NONE	2-321895-1
260°C [500°F]	1000	LOOSE PIECE	3	6	321895-1
649°C [1200°F]	1000	LOOSE PIECE	3	2	321895

CUSTOMER SERVICE SYSTEMS		MAX RECOMMENDED OPERATING TEMPERATURE:
FOR ADDITIONAL PRODUCT INFORMATION OR COPIES OF DRAWINGS AND TECHNICAL DOCUMENTS	PRODUCT INFORMATION CENTER 1-800-522-6752	SEE TABLE
FOR APPLICATION TOOLING INFORMATION	TOOLING ASSISTANCE CENTER 1-800-722-1111	VOLTAGE RATING: NONE
FOR ORDER ENTRY	1-800-526-5142	CIRCULAR MIL AREA: 0.26-1.65mm² [509-3260] SOLID OR STRANDED

THIS DRAWING IS A CONTROLLED DOCUMENT.	
DIMENSIONS: MM [INCHES]	TOLERANCES UNLESS OTHERWISE SPECIFIED:
0 PLC ± -	1 PLC ± -
2 PLC ± 0.20 [.008]	3 PLC ± -
4 PLC ± -	ANGLES ± -
MATERIAL SEE TABLE	FINISH SEE TABLE

DWN TA BRINKMAN 4-15-93		CHK DA PATTERSON 4-15-93		APVD JL MECKLEY 4-15-93	
NAME			TE Connectivity		
PRODUCT SPEC			TERMINAL, RING TONGUE, HIGH TEMPERATURE, STRATO-THERM, SOLISTRAND		
SIZE	CAGE CODE	DRAWING NO	RESTRICTED TO		
A2	00779	C-321895	-		
WEIGHT -		CUSTOMER DRAWING		SCALE 10:1	SHEET 1 OF 1
				REV J2	

Mouser Electronics

Authorized Distributor

Click to View Pricing, Inventory, Delivery & Lifecycle Information:

[TE Connectivity:](#)

[321895](#)